

PARTS BOOK
MOTO GUZZI MODEL — CALIFORNIA II



MOTO GUZZI

Benelli/Moto Guzzi North America, 1501 Eaton Avenue, Baltimore, MD 21227 — Telephone (301) 648-3630

ALL PRICES SUBJECT TO CHANGE WITHOUT NOTICE

M16

INDICE ANALITICO - ANALYTICAL INDEX - INDEX ANALYTIQUE - GRUPPENVERZEICHNIS

COORDINATE COORDINATE COORDONNEE KOORDINATE	DENOMINAZIONE	DESCRIPTION	DESIGNATION	BEZEICHNUNG
A1 - A2	Testa - cilindri	Head - Cylinders	Culasse - Cylindres	Kopf - Zylinder
A3 - A4	Impianto alimentazione	Fuel system	Alimentation	Kraftstoffzuführung
A5 - A8	Carburatori	Carburetors	Carburateurs	Vergaser
A9 - A10	Scarico	Exhaust system	Echappement	Auspuff
A11 - A14	Basamento e coperchi	Crankcase - Covers	Carter moteur - Couvertures	Kurbelgehäuseunt. - Deckel
A15 - B2	Imbiellaggio - Distribuzione	Connecting and timing system	Equipage mobile - Distribution	Pleuel und Steuerung
B3 - B4	Lubrificazione	Lubrication	Graissage	Schmierung
B5 - B6	Frizione	Clutch	Embrayage	Kupplung
B7 - B8	Scatola e coperchi cambio	Gearbox and covers	Boite a vitesses et couvercles	Getriebegehäuse und Deckel
B9 - B12	Ingranaggi - Alberi e com. cambio	Gears - Shaft - Controls	Pignons - Arbres - Commandes	Zahnrad - Wellen - Schaltung
B13 - B16	Forcellone oscill. - Trasmissione post.	Rear fork and transmission	Fourchette et transmission AR	Hintergabel - Kraftübertragung
C1 - C4	Pedale cambio e freno	Transmission pedal and brake	Pedale boite a vitesses et frein	Schaltgetriebepedal und Bremse
C5 - C6	Telaio	Frame	Chassis	Rahmen
C7 - C10	Cuffia telaio - Pedane - Cavalletto	Frame - Foot rest and stand	Chassis - Repose-pieds et béquille	Rahmen - Fussraste und Ständer
C11 - C14	Carrozzeria	Body	Carrosserie	Karosserie
C15 - C16	Parafango anteriore e posteriore	Front and rear fender	Aile AV et AR	Vord. und Hint. Kotflügel
D1 - D4	Sospensioni anteriore e posteriore	Front and rear suspensions	Suspensions AV et AR	Vord. Hinterradaufhängung
D5 - D6	Strumentazione e comandi	Instrument panel and controls	Tableau de bord et commandes	Instrumentenbrett und Antrieb
D7 - D8	Ruota anteriore e posteriore	Front and rear wheel	Roue AV et AR	Vorderrad - Hinterrad
D9 - D10	Comando freno anteriore destro	R. H. front brake control	Commande de frein AV D	Vorderbremssteuerung, R.
D11 - D14	Freno ant. sinistro e post. - Comandi	Rear - front L.H. brake - Controls	Frein AV G et AR - Commandes	Hint. L. Vord. Bremse - K. Geräte
D15 - E2	Accensione - Dotazione	Ignition - Kits	Allumage - Kits	Zündung - Reparatursatz
E3 - E6	Illuminazione - Acustico	Lighting - Horn	Signal lumineux - Avertisseur acoust.	Beleuchtung - Hupe
E7 - E8	Impianto elettrico	Electrical equipment	Installation électrique	Elektrische Anlage
E9 - E10	Parabrezza - Borse - Paraurti post.	Windscreen - Bags - Rear bar	Pare-brise - Sacs - Pare-choc AR	W Schutzsch. - Tasche - H. Stosstange
E11	Varianti Germania	Modifications Germany	Variantes Allemagne	Umanderungen Deutschland
E12	Varianti Inghilterra	Modifications England	Variantes Angleterre	Umanderungen England

INDICE NUMERICO - NUMERICAL INDEX - INDEX NUMERIQUE - NUMERISCHER INDEX

M1	da 10 03 27 00	a 17 50 02 00
M2	da 17 52 25 20	a 91 18 13 20
M3	da 91 18 14 05	a 897 393 533

M1

INDICE NUMERICO - NUMERICAL INDEX - INDEX NUMERIQUE - NUMERISCHER INDEX

Codice	Coord.	N. Pos.	Codice	Coord.	N. Pos.	Codice	Coord.	N. Pos.	Codice	Coord.	N. Pos.	Codice	Coord.	N. Pos.	Codice	Coord.	N. Pos.
	A6	028	12.15.78.00	A4	014	13.93.50.00	A6	057	14.12.69.00	A10	011	14.44.13.50	C10	042	14.75.58.55	E8	016
	A6	057	12.15.78.00	B4	030	13.93.53.00	A6	058	14.13.22.00	B4	010	14.44.32.00	C10	043	14.75.61.51	E8	015
	A8	064	12.15.90.00	B4	019	13.93.60.00	A6	056	14.13.30.00	B4	013	14.47.49.01	E4	018	14.75.61.52	E8	033
	A8	067	12.20.72.00	B8	018	13.93.62.00	A6	051	14.13.36.66	B4	025	14.49.46.00	E2	036	14.75.62.50	E8	022
	A2	054	12.20.72.00	B8	019	13.93.63.00	A6	052	14.13.42.00	B4	014	14.51.67.00	E2	038	14.75.62.51	E8	032
	A6	023	12.21.17.00	B10	012	13.93.66.00	A6	033	14.13.88.00	B4	021	14.51.70.00	E2	035	14.76.04.50	E8	010
	A6	058	12.23.94.00	B8	028	13.93.67.00	A6	054	14.20.02.11	B8	001	14.52.43.07	E2	019	14.76.25.10	E8	029
10.03.27.00	A2	042	12.32.77.00	B14	029	13.93.71.00	A6	059	14.20.11.10	B8	010	14.52.78.00	E2	021	14.76.61.10	E8	034
10.03.41.00	A2	054	12.33.11.00	B14	026	13.93.76.00	A6	059	14.20.89.53	B8	027	14.52.79.00	E2	022	14.76.92.00	E8	030
10.04.36.00	A10	027	12.35.52.02	B14	036	13.93.78.00	A6	030	14.21.05.13	B10	014	14.54.70.01	B14	006	14.91.23.00	C12	002
10.04.54.01	A16	027	12.35.52.03	B14	036	13.93.79.00	A6	026	14.21.07.02	B10	005	14.54.78.00	B14	004	14.93.50.00	A8	005
10.04.54.02	A16	027	12.35.53.01	B14	037	14.00.07.65	A12	001	14.21.11.10	B10	008	14.55.16.53	E4	007	14.93.66.00	A6	046
10.15.87.01	B4	015	12.35.53.02	B14	037	14.00.14.00	A12	015	14.21.12.01	B10	009	14.60.30.00	D6	026	14.93.68.00	A6	045
10.47.46.00	E4	024	12.35.53.03	B14	037	14.00.32.40	A14	036	14.21.16.01	B10	011	14.60.33.00	E6	025	14.93.75.01	A6	043
10.47.59.00	E4	020	12.35.63.00	B16	048	14.00.33.00	A12	022	14.21.20.13	B10	012	14.60.46.50	C6	032	14.93.77.01	A6	042
10.52.89.00	B8	026	12.35.64.00	B16	049	14.00.36.00	A12	021	14.21.22.10	B10	021	14.60.46.51	B12	028	14.93.86.00	A6	046
10.52.89.00	B14	024	12.35.67.00	B14	031	14.00.38.00	A12	023	14.21.30.03	B12	054	14.60.46.50	E6	049	14.93.87.00	A6	046
10.52.89.00	D2	029	12.43.30.00	C8	006	14.01.19.00	A12	005	14.21.36.12	B10	023	14.60.46.50	E8	010	14.93.88.00	A6	049
10.93.49.00	A6	063	12.54.72.00	B14	005	14.01.19.01	A12	009	14.21.38.03	B8	004	14.61.33.02	D8	007	14.93.89.00	A6	045
10.93.59.00	A6	059	12.54.82.01	B14	011	14.01.19.02	A12	009	14.21.42.10	B12	046	14.61.39.01	A10	005	17.00.49.51	A12	008
12.00.12.00	A12	016	12.54.84.01	A4	005	14.01.19.03	A12	009	14.21.45.10	B12	035	14.61.39.01	A16	008	17.00.62.50	B4	012
12.00.37.02	A12	024	12.54.84.01	B14	010	14.01.84.01	A2	019	14.21.48.10	B10	033	14.61.39.01	A16	011	17.03.40.50	A2	034
12.00.72.02	B8	023	12.67.68.00	C2	026	14.01.84.00	E4	038	14.21.51.10	B10	027	14.61.39.01	B14	019	17.04.30.50	A16	026
12.00.72.02	B14	021	12.71.76.00	B4	024	14.02.00.65	A2	011	14.21.52.13	B12	039	14.61.39.01	E2	057	17.06.70.50	A16	012
12.00.79.00	A12	002	12.71.76.00	E8	026	14.02.20.65	A2	009	14.21.54.06	B10	026	14.61.39.01	E8	011	17.06.79.00	A16	010
12.00.64.00	B4	035	12.73.25.00	E8	034	14.02.33.60	A2	003	14.21.75.00	B12	058	14.63.62.50	E6	014	17.09.38.50	B6	019
12.00.64.00	B4	023	12.73.51.00	D12	007	14.02.37.60	A2	003	14.21.74.10	B10	024	14.63.60.50	D8	029	17.10.12.42	E14	013
12.00.69.00	B4	038	12.73.51.00	E8	013	14.03.02.00	A2	036	14.21.79.01	B8	006	14.63.60.51	D8	009	17.10.22.42	C14	021
12.00.66.00	B4	054	12.76.53.00	D6	033	14.03.04.60	A2	031	14.21.80.11	B10	032	14.63.44.00	D8	016	17.10.54.60	C12	008
12.00.72.00	B4	033	12.93.72.00	A6	024	14.03.48.03	A2	040	14.21.84.01	B10	007	14.63.46.01	B10	024	17.10.54.60	C12	009
12.00.76.00	B4	036	12.93.73.00	A6	025	14.03.71.00	A2	024	14.21.93.10	B12	036	14.63.46.01	B14	054	17.12.10.60	A10	004
12.01.14.00	A12	050	13.02.19.00	A2	015	14.03.80.00	A2	028	14.21.94.03	B10	013	14.63.46.01	B14	044	17.12.39.62	A10	008
12.01.14.01	A12	050	13.03.60.00	A2	021	14.03.83.01	A16	028	14.23.05.01	B12	048	14.63.68.01	B10	011	17.13.31.50	A4	006
12.01.14.02	A12	050	13.03.61.00	A2	022	14.06.07.60	A16	019	14.23.07.11	B12	041	14.63.68.51	B12	054	17.13.45.60	A4	006
12.01.14.03	A12	050	13.03.68.01	A2	002	14.06.10.60	A16	021	14.23.10.12	B10	036	14.63.70.00	B10	006	17.13.40.50	A4	007
12.01.17.00	A12	051	13.03.70.00	A2	025	14.06.13.00	A16	013	14.23.12.01	B12	049	14.63.90.00	B14	049	17.13.45.51	B4	043
12.01.18.00	A12	029	13.03.72.00	A2	023	14.06.22.01	A16	016	14.23.13.11	B10	022	14.63.91.00	B10	021	17.23.42.60	B8	030
12.01.22.00	A12	010	13.03.74.00	A2	026	14.07.20.03	A16	004	14.23.24.00	B12	047	14.63.91.00	B14	048	17.23.08.40	E4	042
12.01.89.00	A12	007	13.03.76.00	A2	027	14.08.18.11	B10	003	14.23.25.12	B10	031	14.63.92.00	B10	020	17.23.20.50	E2	031
12.02.17.00	A2	018	13.03.45.02	B2	042	14.08.44.50	B6	003	14.23.43.00	B12	045	14.63.94.50	B14	055	17.23.23.50	E2	034
12.02.54.00	A2	017	13.03.80.00	B2	036	14.08.57.00	B6	006	14.23.44.03	B12	042	14.66.13.00	B12	020	17.32.80.50	B14	032
12.02.26.00	A2	013	13.03.82.00	B2	037	14.08.59.00	B6	007	14.23.46.00	B12	046	14.66.13.00	B14	036	17.33.02.50	B14	036
12.03.14.00	A2	037	13.06.12.60	A16	022	14.08.60.00	B6	008	14.23.53.00	B12	043	14.66.85.53	B11	031	17.33.43.00	B14	037
12.03.81.00	A2	029	13.08.43.00	B6	001	14.08.61.00	B6	010	14.23.62.02	B12	050	14.70.40.50	B16	003	17.33.64.00	B16	047
12.03.81.00	A16	029	13.14.64.02	B4	001	14.09.02.02	B6	012	14.23.78.00	B8	014	14.70.42.05	B16	029	17.33.67.00	B16	042
12.06.20.03	A16	017	13.14.77.01	B4	006	14.09.04.00	B6	014	14.23.82.01	B12	051	14.71.64.59	B16	023	17.33.74.00	B16	042
12.06.20.06	A16	017	13.14.78.00	B4	003	14.10.76.00	C12	017	14.33.34.03	B8	023	14.71.54.20	E2	059	17.33.46.50	B16	042
12.06.20.07	A16	017	13.14.83.00	B4	004	14.10.84.00	C6	026	14.33.53.50	B8	024	14.71.52.00	E2	055	17.33.54.00	B16	043
12.06.20.08	A16	017	13.14.84.00	B4	002	14.10.88.00	C6	014	14.33.56.56	B8	023	14.71.62.00	E2	053	17.33.54.02	B16	043
12.06.54.00	A16	002	13.21.15.00	B10	010	14.10.89.55	C12	020	14.33.68.03	B8	026	14.71.64.00	E2	052	17.33.54.04	B16	043
12.06.77.01	A16	009	13.43.26.40	C2	007	14.10.44.45	C12	003	14.41.62.00	C6	011	14.71.65.00	B16	010	17.33.54.06	B16	043
12.06.73.00	B6	004	13.43.26.40	C4	044	14.10.51.00	C12	007	14.42.93.00	C4	052	14.71.67.50	B16	021	17.33.56.08	B16	043
12.08.28.00	B6	005	13.43.26.40	C8	003	14.10.71.00	C6	030	14.42.96.01	C8	033	14.71.74.01	B16	008	17.33.54.10	B16	043
12.08.29.01	B6	002	13.43.54.40	C8	010	14.10.90.00	C6	031	14.42.98.00	C8	035	14.71.76.00	B16	007	17.33.54.12	B16	043
12.08.70.01	A6	009	13.93.28.00	A6	035	14.11.44.40	A4	008	14.42.99.01	C6	034	14.71.98.00	E2	060	17.42.40.50	E6	010
12.10.84.00	A4	034	13.93.29.01	A6	036	14.11.54.01	A4	004	14.43.29.00	C8	035	14.73.03.58	E2	045	17.42.48.50	C6	011
12.10.86.00	B4	032	13.93.31.00	A8	066	14.11.55.50	A4	015	14.43.30.01	C6	034	14.73.05.79	E2	046	17.43.12.50	C6	012
12.13.07.00	B4	018	13.93.32.01	A2	053	14.12.09.01	A10	001	14.43.34.00	B2	034	14.73.07.00	E2	044	17.43.28.50	E6	010
12.13.09.00	B4	016	13.93.44.00	A8	068	14.12.09.06	A10	002	14.43.34.00	C6	021	14.74.71.53	E8	034	17.49.27.00	D2	032
12.13.42.00	B4	027	13.93.46.00	A6	061	14.12.12.00	A10	003	14.43.35.07	C4	037	14.74.72.00	B16	031	17.49.27.00	D2	032
12.13.42.00	B8	034	13.93.48.00	A6	060	14.12.34.00	A10	012	14.43.40.00	C6	009	14.74.74.50	B16	040	17.50.21.00	D4	039

INDICE NUMERICO - NUMERICAL INDEX - INDEX NUMERIQUE - NUMERISCHER INDEX

Codice	Coord.	N. Pos.	Codice	Coord.	N. Pos.	Codice	Coord.	N. Pos.	Codice	Coord.	N. Pos.	Codice	Coord.	N. Pos.	Codice	Coord.	N. Pos.
17.52.25.20	02	011	17.76.87.50	B4	022	18.65.85.60	E11		29.10.12.00	C14	023	29.57.59.00	C14	033	61.27.03.00	B10	039
17.52.26.20	02	010	17.78.39.60	D6	009	18.65.90.50	E11		29.10.12.01	C14	023	29.57.72.00	E10	001	61.27.03.00	C14	031
17.60.55.70	06	030	17.78.49.60	D6	014	18.65.91.50	E11		29.10.22.00	C14	021	29.57.72.01	E11		61.27.03.00	C16	007
17.60.56.52	D10	002	17.92.99.00	E2	061	18.67.50.52	C2	011	29.10.22.01	C14	021	29.57.88.00	D4	042	61.71.25.00	E8	029
17.60.57.50	D6	031	17.93.74.50	A6	027	18.67.51.52	C2	012	29.10.40.01	C12	002	29.60.03.00	D6	029	61.71.26.00	E8	030
17.61.41.60	D8	010	17.93.89.00	A6	047	18.67.59.50	C2	001	29.10.40.03	C12	002	29.60.34.00	D6	027	62.43.65.00	D12	038
17.61.63.60	D8	004	17.93.90.00	A6	048	18.67.83.50	C2	004	29.10.65.00	A4	011	29.61.02.01	D8	012A	62.76.40.20	D6	019
17.63.41.50	D8	017	17.93.93.00	A6	051	18.71.70.50	D16	009	29.11.50.00	A4	013	29.61.03.01	D8	001A	63.49.27.00	D2	009
17.65.22.60	D10	022	17.93.94.00	A6	052	18.75.35.01	E4	017	29.11.75.00	A4	003	29.61.03.02	D8	001b	63.49.40.21	D2	002
17.65.22.60	D12	032	17.93.99.50	A6	022	18.75.93.51	C10	050	29.12.29.00	A10	010	29.61.03.02	D8	012b	63.49.61.20	D2	032
17.65.23.60	D14	051	17.99.15.60	B8		18.75.96.50	C10	049	29.12.30.00	A10	009	29.63.02.00	D8	031b	63.49.62.20	D2	033
17.65.47.60	D10	023	17.99.95.50	A14	034	18.93.57.50	A6	053	29.12.86.00	A10	016	29.63.02.01	D8	031A	63.52.54.00	D2	015
17.65.47.60	D14	045	18.00.11.50	A12	013	19.10.49.50	C12	005	29.12.87.00	A10	017	29.63.06.00	D8	013b	63.65.70.00	D12	055
17.65.75.50	D12	037	18.00.16.50	A12	020	19.10.51.50	C14	035	29.13.56.00	A2	043	29.63.06.01	D8	013A	63.75.13.21	E4	012
17.65.82.60	D10	017	18.06.02.01	A16	024	19.70.71.00	D16	025	29.32.63.00	B14	028	29.63.33.00	D8	018	63.76.31.20	D6	024
17.65.84.60	D10	016	18.06.06.01	A16	025	19.72.31.00	E8	017	29.40.01.01	C6	001	29.66.70.00	D12	009	63.76.41.20	D6	022
17.65.85.50	D12	001	18.06.09.50	A16	020	19.73.24.00	E8	025	29.45.03.00	C8	013	29.70.38.00	D16	017	63.76.52.20	D6	023
17.65.86.50	D12	031	18.06.42.04	A16	001	19.73.25.00	E8	019	29.43.20.00	C8	004	29.70.55.00	D16	038	63.76.62.20	D6	003
17.65.87.50	D12	026	18.09.30.40	B6	018	19.73.33.50	D16	026	29.43.28.00	C8	007	29.73.68.00	D16	027	63.76.69.20	D6	015
17.65.92.60	D14	047	18.10.40.00	C12	002	19.73.53.00	D6	020	29.43.43.01	C16	001	29.73.80.00	D6	028	65.60.44.00	D6	036
17.65.92.60	E11		18.10.50.01	C12	004	19.73.53.00	D16	022	29.43.43.02	C16	001	29.74.03.00	E4	004	90.11.81.52	A2	036
17.65.93.50	D10	019	18.11.26.50	A4	001	19.74.20.50	E4	039	29.43.43.03	C16	001	29.74.04.00	E4	007	90.27.10.08	C4	041
17.65.95.50	D14	046	18.11.26.51	A4	002	19.75.06.52	E4	013	29.43.57.00	C16	002	29.74.05.00	E4	001	90.27.10.14	D2	026
17.65.94.50	D10	003	18.20.08.01	B8	011	19.75.06.53	E4	013	29.43.59.00	C16	003	29.74.05.30	E12		90.27.10.20	B14	030
17.65.96.50	D12	027	18.21.10.50	B10	015	19.76.72.80	D6	005	29.43.70.02	C16	016	29.74.37.02	E4	009	90.27.10.55	D8	028
17.66.02.53	D10	001	18.21.10.51	B10	015	19.76.81.80	D6	010	29.43.70.03	C16	016	29.74.37.03	E4	008	90.27.20.62	B14	015
17.66.11.52	D10	015	18.21.10.52	B10	015	19.76.86.80	D6	012	29.43.70.04	C16	016	29.74.63.00	D6	039	90.35.10.37	A16	023
17.66.13.52	D10	018	18.21.10.54	B10	015	19.76.89.80	D6	004	29.44.34.00	C8	024	29.74.69.00	E6	050	90.35.30.16	A2	008
17.66.75.50	D12	016	18.25.20.50	C2	002	19.92.34.80	D4	064	29.45.02.00	C4	004	29.74.72.00	E8	024	90.40.28.40	A12	017
17.66.76.50	D12	018	18.25.20.50	C4	043	25.65.61.00	D10	010	29.45.82.00	E10	008	29.74.76.00	E8	023	90.40.30.40	B14	007
17.66.80.50	D12	004	18.25.69.50	C2	032	25.65.61.00	D12	003	29.45.88.00	E10	009	29.75.54.00	C10	048	90.40.35.46	D2	018
17.70.43.00	D16	028	18.25.75.51	C2	039	25.65.61.01	B4	028	29.46.05.00	C12	013	29.76.94.00	E11		90.40.35.47	B2	007
17.70.99.50	C6	018	18.25.76.51	C2	038	25.65.70.01	D10	014	29.46.30.00	C14	034	29.76.95.00	D6	002	90.40.35.48	B8	031
17.71.24.00	D16	001	18.25.78.01	C2	028	25.70.67.00	E2	041	29.46.43.00	C14	026	29.90.00.00	E2	062	90.40.38.50	B14	025
17.71.54.50	E2	051	18.25.81.01	C2	029	28.02.21.00	A2	005	29.46.65.00	C12	014	29.90.00.01	E2	062	90.40.53.67	A12	032
17.71.84.50	D16	006	18.25.82.01	C2	022	28.02.22.00	A2	006	29.47.62.01	C12	011	29.90.00.02	E2	062	90.40.70.85	B16	045
17.71.99.00	D16	004	18.25.91.51	C2	008	28.11.34.50	A4	021	29.47.62.02	C12	011	29.90.00.03	E2	062	90.70.60.90	A2	012
17.74.04.01	E6	047	18.25.91.51	C4	045	28.11.36.50	A4	023	29.47.62.03	C12	011	29.92.33.00	C12	015	90.70.61.40	B8	012
17.74.09.00	E6	043	18.35.24.00	B14	033	28.11.40.50	A4	022	29.47.63.01	C12	012	29.99.10.00	A14		90.70.61.70	B6	011
17.74.17.01	E6	042	18.35.51.00	B14	035	28.11.43.50	A4	024	29.47.63.02	C12	012	29.99.14.00	A14		90.70.62.03	A2	014
17.74.25.50	E8	006	18.42.03.50	C8	022	28.15.70.50	A4	033	29.47.63.03	C12	012	29.99.90.00	A14	033	90.70.62.03	B10	006
17.74.50.00	E8	001	18.42.21.50	C8	023	28.15.74.50	B4	029	29.47.96.00	C6	021	39.46.16.00	C6	017	90.70.62.19	B12	052
17.74.51.00	E8	003	18.42.39.50	C8	039	28.15.75.50	B4	031	29.47.97.00	C6	022	39.66.38.01	D10	007	90.70.62.55	B10	004
17.74.57.60	D6	037	18.43.27.60	C10	047	28.52.10.50	D4	056	29.48.25.00	E10	004	39.75.37.70	E4	015	90.70.62.58	D2	017
17.74.75.50	D14	053	18.43.40.60	C8	016	28.52.82.50	D4	057	29.48.50.00	E10	006	39.75.37.71	E6	044	90.70.64.90	D8	027
17.74.80.50	E8	012	18.44.54.50	C10	041	28.55.62.50	D4	053	29.48.57.00	E10	005	39.92.22.00	D4	065	90.70.65.84	B14	054
17.74.85.00	D16	034	18.44.70.50	C8	025	28.55.63.50	D4	054	29.48.61.00	E10	010	43.08.32.10	B10	025	90.71.41.03	C12	010
17.75.04.00	E8	009	18.51.34.60	D2	034	28.55.64.50	D4	055	29.48.65.00	E10	007	43.26.21.80	C2	003	90.71.61.42	D12	029
17.75.05.20	E8	007	18.51.35.60	D2	035	28.65.97.50	D14	050	29.49.02.00	D2	001	43.93.40.00	A8	062	90.71.63.70	A10	007
17.75.12.00	E8	008	18.51.66.60	D2	008	28.70.45.50	D16	035	29.49.78.00	D2	040	49.60.96.01	E8	011	91.11.15.11	A2	032
17.75.16.52	E4	037	18.52.65.60	D4	051	28.70.45.51	D16	035	29.50.68.00	E10	002	55.23.50.00	B12	044	91.11.21.22	A16	014
17.75.16.53	E4	037	18.52.66.60	D2	024	28.70.48.50	D16	037	29.50.69.00	E10	003	55.23.50.01	B12	044	91.18.06.07	A4	030
17.75.57.60	E6	051	18.52.69.60	D2	023	28.70.70.50	D16	036	29.52.64.00	D2	020	55.23.50.02	B12	044	91.18.06.07	C10	053
17.75.58.60	E6	048	18.52.79.60	D2	025	28.76.15.50	D6	003	29.52.74.00	D2	027	55.23.50.03	B12	044	91.18.06.08	C14	025
17.75.60.00	E8	032	18.54.80.00	B14	009	28.78.25.50	C6	002	29.52.96.00	D4	058	55.43.65.25	C16	012	91.18.07.18	D16	014
17.75.60.60	E8	016	18.57.84.51	E10	014	29.06.01.00	A2	007	29.54.02.00	B14	001	55.93.85.85	A6	040	91.18.08.10	C6	027
17.75.61.60	E8	028	18.63.57.60	D8	020	29.06.02.00	A2	010	29.54.18.01	B16	051	61.01.38.00	C2	024	91.18.09.07	E2	056
17.76.06.50	D6	007	18.63.58.60	D12	025	29.06.04.00	A16	018	29.55.02.00	D4	048	61.01.38.00	C16	010	91.18.09.15	B2	037
17.76.21.50	D6	013	18.65.30.60	E11		29.10.02.01	C12	001	29.55.23.00	D4	049	61.10.84.00	A4	012	91.18.09.16	D6	035
17.76.22.00	D6	011	18.65.46.60	E11		29.10.02.02	C12	001	29.55.52.00	B14	015	61.27.03.00	A12	012	91.18.11.10	D2	004
17.76.55.60	D6	008	18.65.71.40	D10	008	29.10.02.03	C12	001	29.55.61.00	D4	052	61.27.03.00	B2	040	91.18.11.20	C6	034

INDICE NUMERICO - NUMERICAL INDEX - INDEX NUMERIQUE - NUMERISCHER INDEX

Codice	Coord.	N. Pos.	Codice	Coord.	N. Pos.	Codice	Coord.	N. Pos.	Codice	Coord.	N. Pos.	Codice	Coord.	N. Pos.	Codice	Coord.	N. Pos.
91.18.14.05	04	066	92.60.25.18	B2	035	95.00.02.06	D16	015	95.10.03.32	D10	027	98.05.42.10	C12	018	98.62.05.40	D14	052
91.55.10.62	C12	016	92.60.32.06	C10	045	95.00.02.06	D16	020	95.10.03.32	D12	040	98.05.42.10	E2	043	98.62.05.60	D7	009
91.55.10.85	A4	029	92.63.01.05	A4	027	95.00.02.06	E4	022	95.10.03.33	D10	027	98.05.42.10	E8	035	98.62.05.90	D2	008
91.55.10.85	C10	054	92.63.01.05	E4	032	95.00.02.13	C8	036	95.10.03.33	D14	040	98.05.42.14	E8	020	98.62.16.70	C6	009
91.55.11.02	C16	017	92.63.01.05	E8	022	95.00.11.08	D4	062	95.10.04.09	E2	034	98.05.42.20	E4	029	98.62.21.16	B8	005
91.55.11.20	D12	021	92.63.01.05	E8	005	95.00.12.06	D4	043	95.10.05.23	B4	020	98.05.43.14	C6	016	98.62.23.18	D6	032
91.55.11.31	C16	013	92.63.01.06	A4	032	95.00.12.08	E10	019	95.10.07.09	A12	025	98.05.43.14	D12	030	98.62.24.30	B4	009
91.70.23.55	A16	003	92.63.01.06	C2	030	95.00.42.06	A4	019	95.10.07.09	B8	024	98.05.43.14	D16	019	98.62.25.30	D10	005
92.20.10.70	B16	044	92.63.01.06	C6	013	95.00.42.06	A12	027	95.10.07.09	D14	022	98.05.43.16	A2	038	98.62.25.30	D12	029
92.20.14.17	B2	013	92.63.01.06	D12	033	95.00.42.06	D10	013	95.12.00.65	A2	039	98.05.43.16	B4	011	98.62.25.30	D14	043
92.20.42.20	D8	030	92.63.01.06	E4	028	95.00.42.08	A12	005	95.12.00.65	A16	031	98.05.43.16	B4	040	98.62.36.50	C8	028
92.20.42.21	D8	008	92.63.01.06	E4	023	95.00.42.08	C6	006	95.12.00.65	B4	039	98.05.43.16	B8	021	98.62.25.10	C16	014
92.20.42.30	B14	014	92.63.01.08	B8	033	95.00.42.08	C8	001	95.12.00.65	B4	008	98.05.43.16	E4	021	98.62.23.14	C16	004
92.21.84.24	B8	007	92.63.01.08	C14	032	95.00.42.08	C16	019	95.12.91.00	C12	019	98.05.43.18	D4	044	98.62.73.18	C16	009
92.23.47.17	B8	008	92.63.01.10	C8	021	95.00.42.08	E2	049	95.12.91.10	C2	031	98.05.43.20	A4	028	98.62.24.20	E10	011
92.24.92.17	B14	008	92.63.02.06	D12	014	95.00.42.10	B14	003	95.12.91.10	C2	016	98.05.43.20	A16	030	98.62.24.20	E10	018
92.24.92.25	D2	037	92.63.03.08	D8	005	95.00.42.10	C8	019	95.12.91.30	C2	019	95.05.43.20	C6	010	98.62.24.25	C14	027
92.24.92.27	B14	032	92.69.00.73	C2	040	95.00.42.10	C10	046	95.12.91.30	D12	011	98.05.43.20	C6	023	98.62.24.25	C16	021
92.25.10.22	B10	029	92.69.00.73	C2	013	95.00.42.10	D2	005	95.12.91.80	A2	016	98.05.43.20	C10	051	98.62.24.25	C16	016
92.25.10.30	B10	020	92.70.00.73	C8	027	95.00.42.10	D10	026	95.12.91.80	D10	028	98.05.43.20	D8	021	897392146	C14	034
92.25.22.10	B4	005	92.73.10.90	A16	015	95.00.42.10	D12	024	95.12.91.80	D14	041	98.05.43.20	D10	012	897392410	C14	036
92.25.43.40	B14	027	92.78.10.62	C16	011	95.00.42.10	D12	019	95.18.70.06	B4	012	98.05.43.20	D12	036	897393533	C14	034
92.25.62.18	B8	003	92.78.10.62	E4	010	95.00.42.10	B8	003	95.18.70.08	B16	040	98.05.43.20	D16	018			
92.25.85.25	B10	016	92.78.10.81	A10	006	95.02.11.02	C16	022	95.50.02.22	B6	017	98.05.44.16	C4	047			
92.25.90.17	B10	028	92.78.10.81	B14	020	95.02.11.02	A4	010	95.50.02.22	C2	023	98.05.44.16	C2	010			
92.29.57.02	B12	037	92.78.10.81	C16	020	95.02.11.05	D16	003	95.50.02.22	C2	017	98.05.44.16	C8	012			
92.29.67.50	B10	018	92.78.10.81	C16	008	95.02.11.05	E8	038	95.50.02.22	D12	013	98.05.44.16	E6	041			
92.60.12.08	E10	017	92.78.11.00	D2	031	95.02.11.06	C2	003	95.51.03.18	E2	054	98.05.44.20	A10	013			
92.60.15.08	D4	045	93.11.00.60	E4	026	95.02.11.06	C2	021	95.51.20.60	B2	033	98.05.44.20	A16	012			
92.60.20.10	A2	020	93.18.00.80	C6	003	95.02.11.06	C6	024	95.51.20.81	A12	008	98.05.44.20	C6	005			
92.60.22.05	D16	033	93.18.01.05	D16	050	95.02.11.06	C16	015	95.51.20.81	B8	009	98.05.44.22	C14	030			
92.60.22.05	E8	037	93.18.01.10	E4	040	95.02.11.06	D8	022	95.74.01.75	C2	014	98.05.44.25	A12	011			
92.60.22.06	C2	006	93.18.02.20	B8	022	95.02.11.06	D12	005	95.77.02.65	C2	025	98.05.44.25	B16	038			
92.60.22.06	C2	027	93.18.02.20	D16	039	95.02.11.08	A10	014	95.77.02.65	C2	015	98.05.44.25	C6	028			
92.60.22.06	C6	025	93.18.07.06	C14	022	95.02.11.08	C4	046	95.78.02.71	B6	016	98.05.44.40	D2	039			
92.60.22.06	C10	055	93.30.13.13	C6	015	95.02.11.08	C2	009	95.98.06.10	B8	025	98.05.45.20	E6	045			
92.60.22.06	C8	037	93.30.13.13	D12	019	95.02.11.08	C8	002	95.98.06.10	B14	023	98.06.43.45	C10	044			
92.60.22.06	D12	006	93.30.13.13	E4	033	95.02.11.08	C14	028	95.99.00.33	D10	009	98.07.44.16	D4	046			
92.60.22.06	D16	016	93.45.01.19	D6	006	95.02.11.08	D12	010	95.99.00.33	D12	002	98.07.44.20	D4	047			
92.60.22.06	E4	036	93.45.01.19	E4	002	95.02.11.08	E4	011	95.99.00.34	D10	004	98.07.44.25	E10	015			
92.60.22.08	A10	015	93.45.01.29	E4	014	95.02.11.08	E10	016	95.99.00.37	D4	026	98.10.70.35	C8	026			
92.60.22.08	A12	006	93.45.01.40	D6	016	95.02.11.08	E10	012	96.50.80.32	B8	032	98.20.25.25	C14	024			
92.60.22.08	C8	003	93.45.02.24	E4	019	95.02.11.12	C8	029	96.50.80.42	A12	041	98.20.25.30	E8	002			
92.60.22.08	C14	029	93.45.02.32	E4	003	95.02.80.22	D10	002	96.50.80.45	B14	018	98.30.50.17	D16	030			
92.60.22.08	C16	023	93.60.10.22	B10	001	95.02.80.25	A16	005	96.50.80.45	D4	061	98.31.06.30	A12	014			
92.60.22.08	D4	063	93.60.10.26	A16	006	95.10.00.59	D16	031	96.50.80.66	A12	003	98.32.60.14	A4	041			
92.60.22.08	D12	008	94.32.10.51	B10	019	95.10.00.59	E4	011	96.50.80.66	D4	060	98.34.60.10	D4	016			
92.60.22.08	E2	050	94.32.10.67	B8	029	95.10.00.60	D6	038	96.50.80.75	A12	004	98.62.02.45	D16	002			
92.60.22.08	E10	013	94.32.10.72	B4	017	95.10.01.16	A4	017	98.05.22.70	A4	025	98.62.03.12	D2	013			
92.60.22.10	C8	008	94.32.11.05	B6	013	95.10.01.16	D2	014	98.05.23.25	C2	020	98.62.03.25	A2	004			
92.60.22.10	D10	029	94.32.22.15	A2	035	95.10.01.21	C6	012	98.05.23.25	C8	038	98.62.03.25	A12	018			
92.60.22.10	D14	042	94.32.22.15	C2	035	95.10.01.21	C16	005	98.05.23.45	D16	012	98.62.03.25	B8	016			
92.60.23.08	B4	007	95.00.02.05	A4	026	95.10.01.25	D16	015	98.05.23.45	A12	026	98.62.03.30	A4	018			
92.60.23.12	C8	030	95.00.02.05	D16	032	95.10.01.39	C10	032	98.05.24.30	E2	056	98.62.03.35	A12	019			
92.60.23.16	B8	015	95.00.02.05	E4	030	95.10.01.41	A4	031	98.05.24.40	C8	040	98.62.03.35	B8	017			
92.60.24.11	E4	016	95.00.02.05	E8	004	95.10.01.41	E4	027	98.05.24.45	D8	019	98.62.03.35	A14	035			
92.60.25.08	B6	015	95.00.02.05	E8	021	95.10.01.73	C2	018	98.05.24.80	E2	047	98.62.04.40	D12	017			
92.60.25.12	B8	015	95.00.02.05	E8	036	95.10.01.73	D12	012	98.05.24.99	D8	006	98.62.04.45	C16	018			
92.60.25.12	C2	037	95.00.02.06	B8	020	95.10.02.55	C6	019	98.05.25.35	B14	002	98.62.05.40	D2	007			
92.60.25.12	C8	031	95.00.02.06	C6	019	95.10.02.55	E6	046	98.05.25.45	C8	018	98.62.05.40	D2	030			
92.60.25.16	D8	002	95.00.02.06	D12	015	95.10.02.56	D4	050	98.05.42.10	A4	009	98.62.05.40	D10	025			

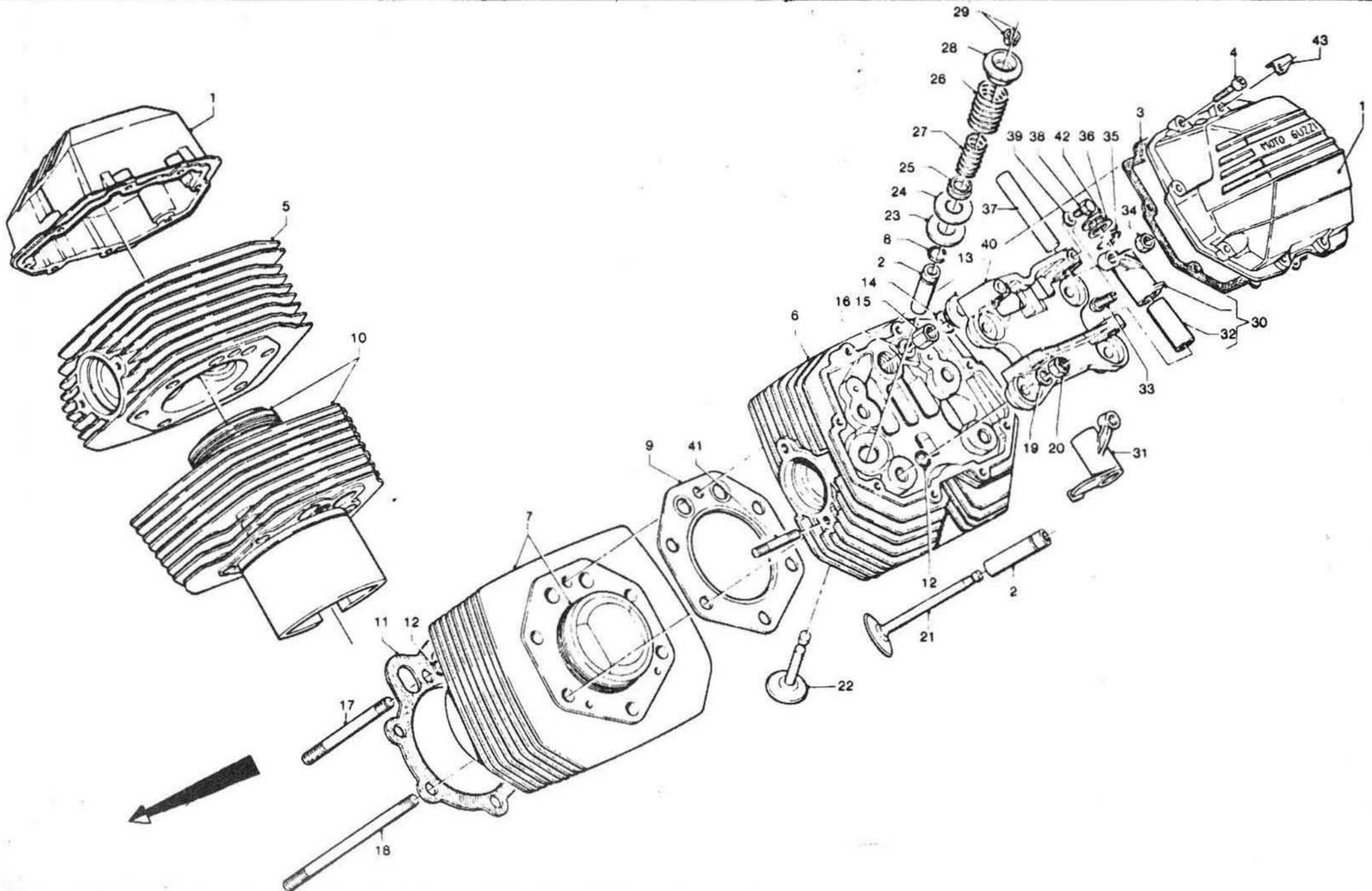
A1

TESTA - CILINDRI
HEAD - CYLINDERS

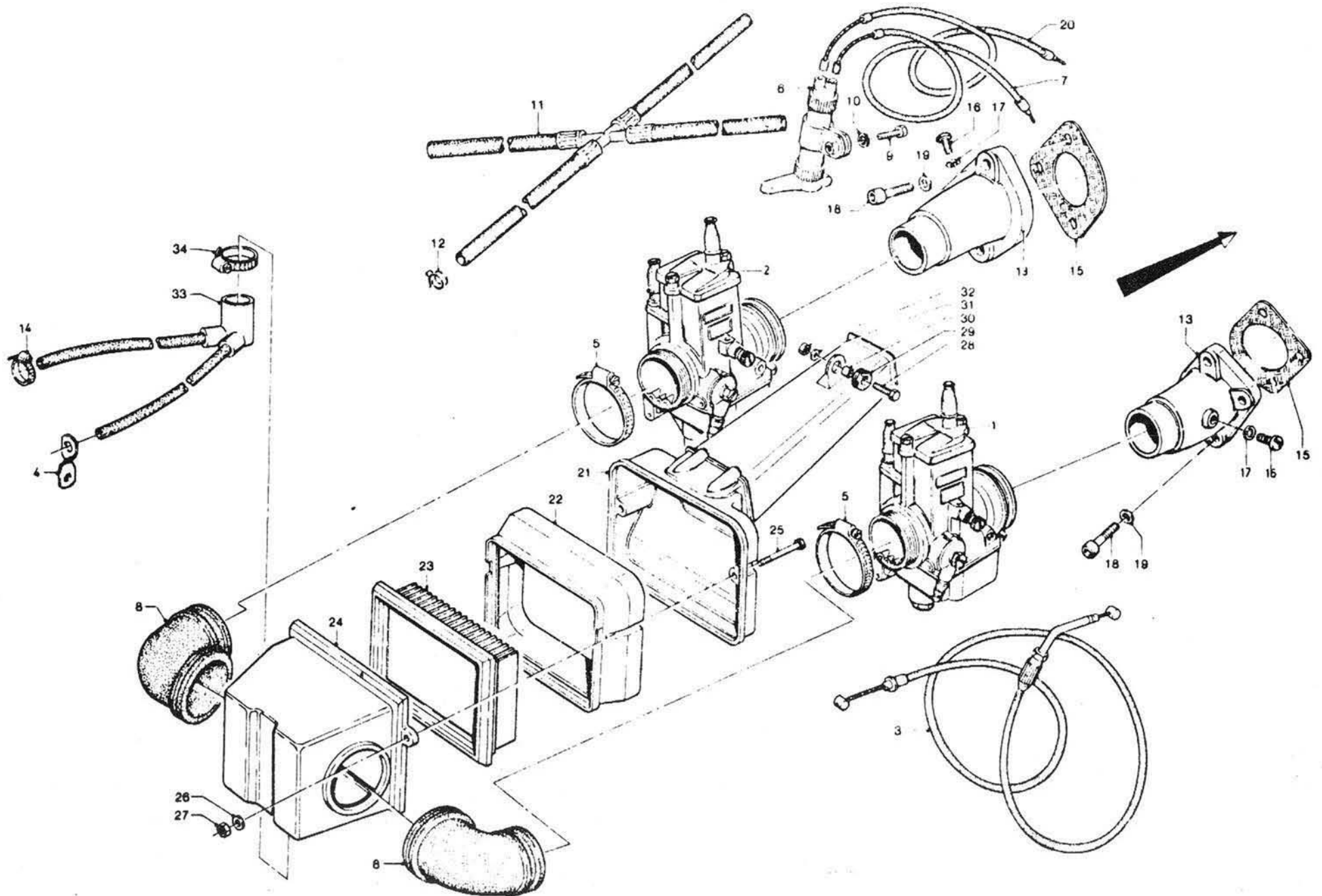
CULASSE - CYLINDRES
KOPF - ZYLINDER

Tavola - Drawing
Table - Bild

1



TESTA - CILINDRI HEAD - CYLINDERS		CULASSE - CYLINDRES KOPF - ZYLINDER			Tavola - Drawing Table - Bild			1
NOTE NOTES NOTES MARKE	POS. N.	N. COD. CODE No. No. CODE CODE Nr.	Q.ta Q.ty Q.te M.ge	DENOMINAZIONE	DESCRIPTION	DESIGNATION	BEZEICHNUNG	
	1	14 02 35 60	2	Coperchio testa	Head cover	Couvercle culasse	Zylinderkopfdeckel	
	2	13 03 68 01	4	Guida valvola aspirazione e scarico	Valve guide	Guide de soupape	Ventilführung	
	3	14 02 37 60	2	Guarnizione	Gasket	Joint	Dichtung	
	4	98 62 03 25	16	Vite coperchio teste	Screw	Vis	Schraube	
	5	28 02 21 00	1	Testa destra	R.H head	Culasse D	Zylinderkopf, R.	
	6	28 02 22 00	1	Testa sinistra	L.H. head	Culasse G	Zylinderkopf, L.	
	7	29 06 01 00	1	Cilindro e pistone sinistro	L.H. cylinder and piston	Cylindre et piston G	Zylinder und Kolben, L.	
	8	90 35 30 16	4	Anello elastico	Circlip	Jonc elastique	Sprengring	
	9	14 02 20 65	2	Guarnizione	Gasket	Joint	Dichtung	
	10	29 06 02 00	1	Cilindro e pistone destro	R.H. cylinder and piston	Cylindre et piston D	Zylinder und Kolben, R.	
	11	14 02 08 65	2	Guarnizione	Gasket	Joint	Dichtung	
	12	90 70 60 90	12	Anello di tenuta	Seal ring	Bague d'étanchéité	Dichtring	
	13	12 02 26 00	2	Tappo testa	Head plug	Bouchon de culasse	Zylinderkopfstopfen	
	14	90 70 62 03	2	Anello di tenuta	Seal ring	Bague d'étanchéité	Dichtring	
	15	13 02 19 00	2	Dado a colonna	Nut	Ecrou	Mutter	
	16	95 12 91 80	2	Rondella elastica	Spring washer	Rondelle élastique	Federring	
	17	12 02 18 00	4	Tirante corto	Short tie bar	Tirant court	Kurze Tragstange	
	18	12 02 17 00	8	Tirante lungo	Long tie bar	Tirant long	Lange Tragstange	
	19	14 01 84 00	10	Rosetta elastica	Spring washer	Rondelle élastique	Federring	
	20	92 60 20 10	10	Dado	Nut	Ecrou	Mutter	
	21	13 03 60 00	2	Valvola aspirazione	Intake valve	Soupape d'admission	Einlassventil	
	22	13 03 61 00	2	Valvola scarico	Exhaust valve	Soupape d'échappem.	Auslassventil	
	23	13 03 72 00	4	Rosetta	Washer	Rondelle	Scheibe	
	24	14 03 73 00	10	Rosetta di spessore	Flat washer	Rondelle plate	Ring	
	25	13 03 70 00	4	Piattello inferiore	Lower cup	Coupelle inférieure	Untere Manschette	
	26	13 03 74 00	4	Molla esterna	External spring	Ressort extérieur	Aussenfeder	
	27	13 03 76 00	4	Molla interna	Internal spring	Ressort intérieur	Innenfeder	
	28	14 03 80 00	4	Piattello superiore	Upper cup	Coupelle supérieure	Obere Manschette	
	29	12 03 81 00	8	Semicono per valvole	Valve half-cone	Demi-cône de soupape	Ventilhalbkegel	
	30	14 03 02 00	2	Bilanciere ds. completo	R.H. rocker arm, assy	Culbuteur D complet	Kipphebel R. kpl.	
	31	14 03 04 00	2	Bilanciere sn. completo	L.H. rocker arm, assy	Culbuteur G complet	Kipphebel L. kpl.	
	32	91 11 15 11	4	Boccola	Bush	Bague	Buchse	
	33	17 03 40 50	4	Vite registro	Adjusting screw	Vis de réglage	Einstellschraube	
	34	10 03 41 00	4	Dado	Nut	Ecrou	Mutter	
	35	94 32 22 15	4	Molla per bilancieri	Rocker arm spring	Ressort pour culbuteur	Kipphebelfeder	
	36	90 11 81 52	8	Rosetta di spessore	Shim	Rondelle d'épaisseur	Pass-Scheibe	
	37	12 03 18 00	4	Perno per bilancieri	Rocker pin	Pivot pour culbuteurs	Lagerbolzen	
	38	98 05 43 16	4	Vite	Screw	Vis	Schraube	
	39	95 12 00 65	4	Rosetta elastica	Spring washer	Rondelle élastique	Federring	
	40	14 03 48 65	2	Sopperto bilancieri	Rocker support	Support culbuteurs	Kipphebelstütze	
	41	96 50 80 42	4	Prigioniero	Stud bolt	Goujon prisonnier	Stiftschraube	
	42	10 03 27 00	4	Ranella spallamento	Support washer	Rondelle d'appui	Stützscheibe	
	43	29 13 56 00	1	Supporto disp. start	Support	Support	Halter	



IMPIANTO ALIMENTAZIONE FUEL SYSTEM		ALIMENTATION KRAFTSTOFFZUFÜHRUNG					Tavola - Drawing Table - Bild	2
NOTE NOTES NOTES MARKE	POS. N.	N. COD. CODE No. No. CODE CODE Nr.	Q.ia Q.ly Q.te M.ge	DENOMINAZIONE	DESCRIPTION	DESIGNATION	BEZEICHNUNG	
	1	18 11 26 50	1	Carburatore destro	R.H. carburetor	Carburateur D	Vergaser, R.	
	2	18 11 26 51	1	Carburatore sinistro	L.H. carburetor	Carburateur G	Vergaser, L.	
	3	29 11 75 00	2	Trasmissione com. gas	Twist-grip cable	Câble comm. gaz	Gasgriffkabel	
	4	14 11 54 01	2	Piastrina	Bracket	Plaquette	Träger	
	5	12 54 84 01	2	Fascetta fiss. manicotto	Clamp	Collier	Schelle	
	6	17 13 31 50	1	Comando starter	Starter device	Commande de démarrage	Starterbetätigung	
	7	17 13 40 50	1	Trasmissione com. starter, carb. sx.	Starter cable, L.H. carbur.	Câble démarrage, carb. G	Startergriffkabel, Verg. L.	
	8	14 11 44 60	2	Manicotto coll. carburatore	Pipe union	Raccord de tuyau	Rohrverbindung	
	9	98 05 42 10	1	Vite fissaggio com. starter	Screw	Vis	Schraube	
	10	95 02 11 05	1	Rosetta	Tooth washer	Rondelle dentee	Zahnscheibe	
	11	29 10 65 00	1	Tubazione carbur. completa	Piping, complete	Canalisation complete	Rohrverbindung, kpl.	
	12	61 10 84 00	4	Fascetta	Clamp	Collier	Schelle	
	13	29 11 50 00	2	Pipa aspirazione	Manifold	Pipe	Ansaugkrümmer, R.	
	14	12 15 78 00	1	Fascetta	Hose clamp	Collier	Schlauchschelle	
	15	14 11 55 50	2	Guarnizione isolante	Isolating washer	Joint isolante	Isolierdichtung	
	16	98 34 60 10	2	Vite chiusura foro pipe	Screw	Vis	Schraube	
	17	95 10 01 16	2	Ranella per vite	Washer	Rondelle	Scheibe	
	18	98 62 03 30	6	Vite fiss. pipa alla testa	Screw	Vis	Schraube	
	19	95 00 42 06	6	Rosetta per vite	Washer	Rondelle	Scheibe	
	20	17 13 35 60	1	Trasmissione com. starter, carb. dx	Starter cable, R.H. carbur.	Câble démarrage, carb. D	Startergriffkabel, Verg. R.	
	21	28 11 34 50	1	Coperchio filtro	Filter cover	Couvercle filtre	Filterdeckel	
	22	28 11 40 50	1	Custodia per filtro	Air filter chamber	Chambre de filtre à air	Luftfilterkammer	
	23	28 11 36 50	1	Filtro aria a pannello	Filter cartridge	Cartouche filtre	Luftfilterpatrone	
	24	28 11 43 50	1	Collettore d'aspirazione	Intake manifold	Collecteur d'admission	Ansaugrohr	
	25	98 05 22 70	2	Vite fiss. collettore coperchio	Screw	Vis	Schraube	
	26	95 00 02 05	2	Rondella per vite	Washer	Rondelle	Scheibe	
	27	92 63 01 05	2	Dado per vite	Nut	Ecrou	Mutter	
	28	98 05 43 20	1	Vite fiss. coperchio	Screw	Vis	Schraube	
	29	91 55 10 85	1	Gommino	Rubber	Caoutchouc	Gummistück	
	30	91 18 06 07	1	Distanziale	Spacer	Entretoise	Distanzstück	
	31	95 10 01 41	1	Rondella	Washer	Rondelle	Scheibe	
	32	92 63 01 06	1	Dado	Nut	Ecrou	Mutter	
	33	28 15 70 50	1	Tubazione	Breather	Reniflard	Entlüfter	
	34	12 10 84 00	2	Fascetta	Hose clamp	Collier	Schlauchschelle	

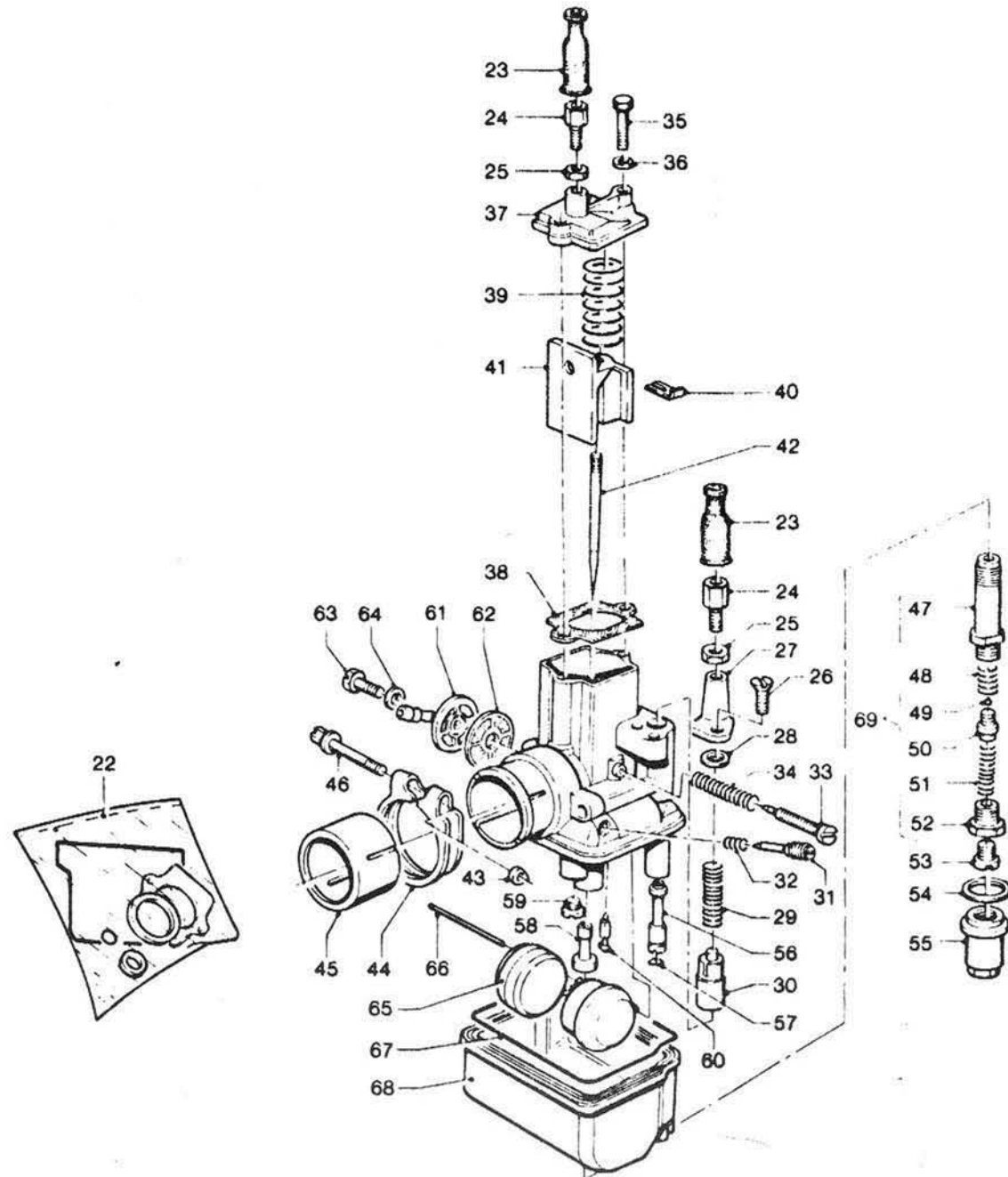
A5

CARBURATORI
CARBURETORS

CARBURATEURS
VERGASER

Tavola - Drawing
Table - Bild

3



CARBURATORI CARBURETORS		CARBURATEURS VERGASER			Tavola - Drawing Table - Bild			3
NOTE NOTES NOTES MARKE	POS. N.	N. COD. CODE No. No. CODE CODE Nr.	Q.ta Q.ty Q.té M.ge	DENOMINAZIONE	DESCRIPTION	DESIGNATION	BEZEICHNUNG	
*	22	17 93 99 50	1	Gruppo revisione carburatore	Carburetor overhauling kit	Kit de révision du carb.	Vergaser Reparatursatz	
	23		2	Cappuccio	Cap	Capuchon	Schutzkappe	
	24	12 93 72 00	2	Vite tendifilo	Adjusting screw	Vis de réglage	Stellschraube	
	25	12 93 73 00	2	Dado	Nut	Ecrou	Mutter	
	26	13 93 79 00	1	Vite	Screw	Vis	Schraube	
*	27	17 93 74 50	1	Coperchio starter	Cover	Couvercle	Deckel	
	28		1	Guarnizione	Gasket	Joint	Dichtung	
	29	13 93 76 00	1	Molla	Spring	Ressort	Feder	
	30	13 93 78 00	1	Valvola avviamento	Starter valve	Soupape de démarrage	Starterventil	
	31	13 93 62 00	1	Vite regolazione miscela minimo	Idling adjusting screw	Vis de régl. de mélange ral.	Gemischregulierschr.	
	32	13 93 63 00	1	Molla	Spring	Ressort	Feder	
	33	13 93 66 00	1	Vite regolazione valvola gas	Throttle adjusting screw	Vis réglage de papillon	Drosselklappe	
	34	13 93 67 00	1	Molla	Spring	Ressort	Feder	
	35	13 93 28 00	2	Vite	Screw	Vis	Schraube	
	36	13 93 29 00	2	Rondella elastica	Spring washer	Rondelle elastique	Federring	
	37	13 93 50 00	1	Coperchio valvola gas	Cover	Couvercle	Deckel	
*	38		1	Guarnizione	Gasket	Joint	Dichtung	
	39	13 93 71 00	1	Molla	Spring	Ressort	Feder	
	40	55 93 85 85	1	Fermaglio spillo conico	Circlip	Support	Halter	
	41	14 93 75 01	1	Valvola gas	Throttle valve	Papillon de gaz	Drosselklappe	
	42	14 93 77 01	1	Spillo conico tipo V	Needle	Aiguille	Nadel	
	43	14 93 68 00	1	Piastrina	Threaded plate	Plaque filetée	Gewindeplättchen	
	44	14 93 87 00	1	Anello serraggio	Ring	Bague	Ring	
	45	14 93 89 00	1	Riduzione isolante	Insulating bush	Réduction isolante	Isolieruntersetzung	
	46	14 93 86 00	1	Vite	Screw	Vis	Schraube	
	47	17 93 89 00	1	Corpo pompa	Pump body	Corps de pompe	Pumpengehäuse	
	48	17 93 90 00	1	Pistoncino pompa	Pump plunger	Plongeur de pompe	Pumpenkolben	
	49		1	Valvola a sfera	Ball valve	Clapet à bille	Kugelventil	
	50		1	Sede valvola	Valve seat	Siege de soupape	Ventilsitz	
	51	17 93 93 00	1	Molla	Spring	Ressort	Feder	
	52	17 93 94 00	1	Tappo getto	Jet holder	Porte gicleur	Düsenträger	
	53	18 93 57 50	1	Getto massimo	Main jet	Gicleur principal	Hauptdüse	
*	54		1	Guarnizione	Gasket	Joint	Dichtung	
	55	13 93 37 00	1	Tappo per vaschetta	Plug	Bouchon	Stopfen	
	56	13 93 60 00	1	Getto avviamento	Starting jet	Gicleur de starter	Starterdüse	
*	57		1	Guarnizione	Gasket	Joint	Dichtung	
	58	13 93 55 00	1	Polverizzatore	Atomizer	Pulvérisateur	Zerstäuber	
	59	10 93 59 00	1	Getto minimo	Pilot jet	Gicleur de ralenti	Leerlaufdüse	
	60	13 93 48 00	1	Spillo chiusura	Needle valve	Pointeau	Nadelventil	
	61	13 93 46 00	1	Pipetta raccordo	Adaptor	Raccord	Adapter	

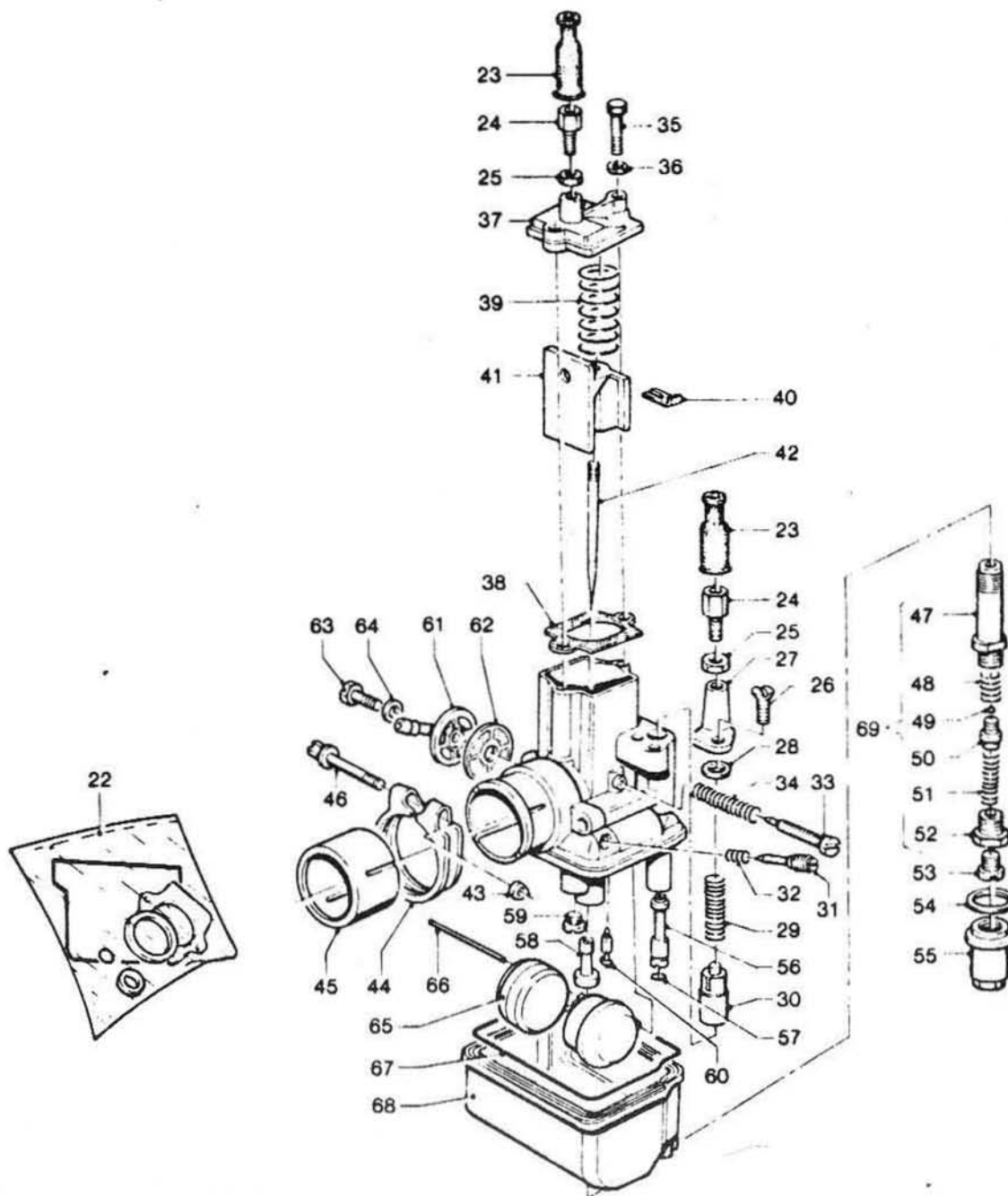
A7

CARBURATORI
CARBURETORS

CARBURATEURS
VERGASER

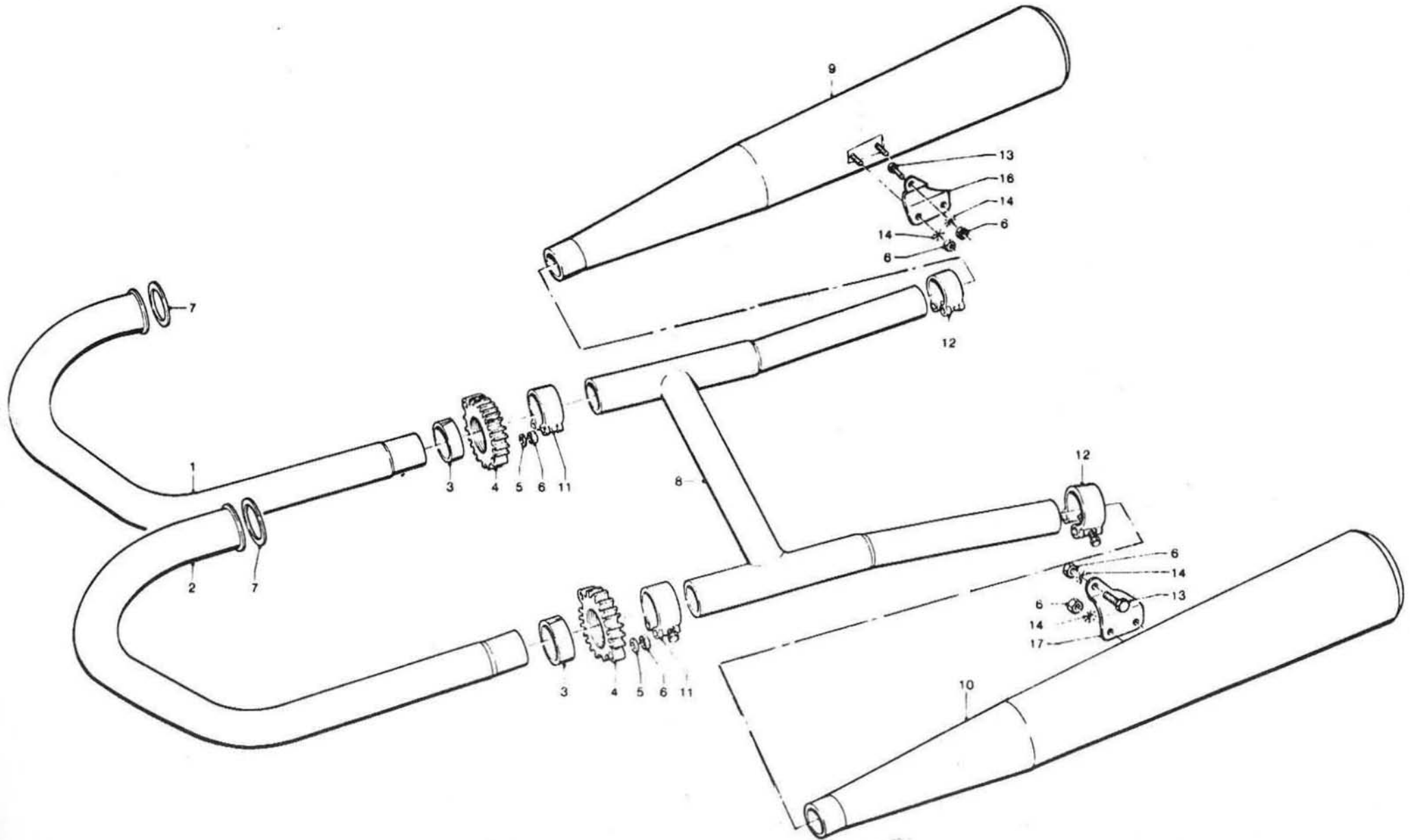
Tavola - Drawing
Table - Bild

3



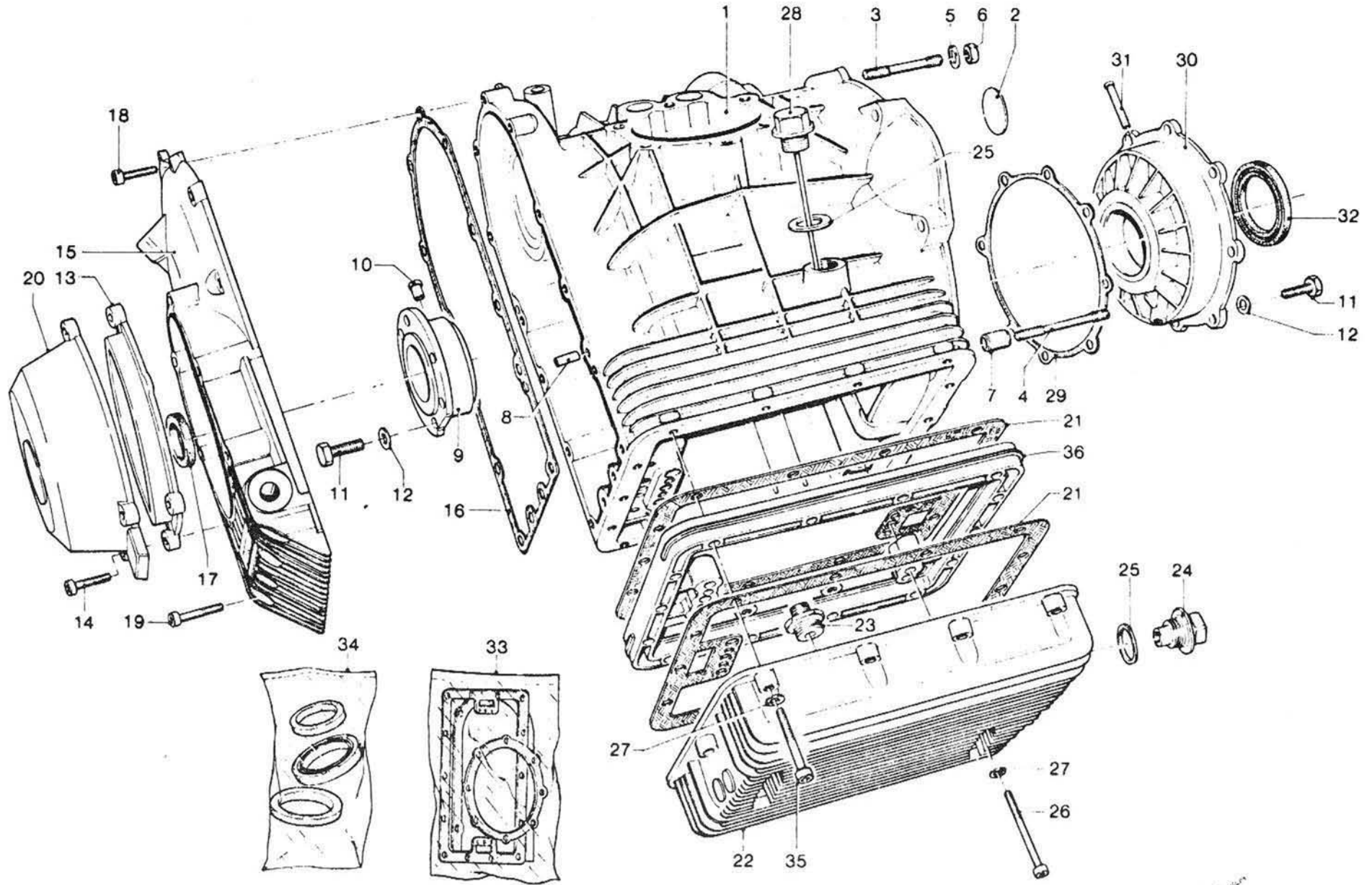
CARBURATORI CARBURETORS		CARBURATEURS VERGASER					Tavola - Drawing Table - Bild	3
NOTE NOTES NOTES MARKE	POS. N.	N. COD. CODE No. No. CODE CODE Nr.	Q.ta Q.ty Q.té M.ge	DENOMINAZIONE	DESCRIPTION	DESIGNATION	BEZEICHNUNG	
	62	43 93 40 00	1	Filtro benzina	Filter	Tamis	Sieb	
	63	10 93 49 00	1	Vite	Screw	Vis	Schraube	
*	64		1	Guarnizione	Gasket	Joint	Dichtung	
	65	14 93 30 00	1	Galleggiante	Float	Flotteur	Schwimmer	
	66	13 93 31 00	1	Perno galleggiante	Float pin	Axe de flotteur	Schwimmerachse	
*	67		1	Guarnizione	Gasket	Joint	Dichtung	
	68	13 93 44 00	1	Vaschetta	Float chamber	Cuve à niveau	Schwimmergehäuse	
	69	14 93 88 00	1	Pompa alimentazione completa	Fuel pump, complete	Pompe à essence, compl.	Kraftstoffpumpe, kpl.	

* I particolari contrassegnati con (*) sono componenti del "Gruppo revisione carburatori"
 Items marked with (*) belong to "Carburetors kit"
 Les pièces marquées avec (*) composent le "Kit de carburateurs"
 Die mit (*) gezeichneten Teile gehören dem "Vergaser - Rep. Satz"



A10

SCARICO EXHAUST SYSTEM		ECHAPPEMENT AUSPUFF					Tavola - Drawing Table - Bild	4
NOTE NOTES NOTES MARKE	POS. N.	N. COD. CODE No. No. CODE CODE Nr.	Q.ta Q.ty Q.te M.ge	DENOMINAZIONE	DESCRIPTION	DESIGNATION	BEZEICHNUNG	
	1	14 12 09 01	1	Tube scarico dx	R.H. exhaust pipe	Tuyau d'échappement D	Auspuffrohr, R.	
	2	14 12 09 06	1	Tube scarico sx	L.H. exhaust pipe	Tuyau d'échappement G	Auspuffrohr, L.	
	3	14 12 12 00	2	Distanziale per flangia	Spacer	Entretoise	Distanzstück	
	4	17 12 10 60	2	Flangia fissaggio tubi	Flange	Flasque	Flansch	
	5	14 61 59 01	4	Rosetta di sicurezza	Washer	Rondelle	Scheibe	
	6	92 78 10 81	4	Dado fissaggio flangia	Nut	Ecrou	Mutter	
	7	90 71 83 70	2	Guarnizione	Gasket	Joint	Dichtung	
	8	17 12 39 62	1	Camera di espansione	Expansion chamber	Chambre de détente	Expansionraum	
	9	29 12 30 00	1	Silenziatore destro	R.H. silencer	Silencieux D	Schalldämpfer, R.	
	10	29 12 29 00	1	Silenziatore sinistro	L.H. silencer	Silencieux G	Schalldämpfer, L.	
	11	14 12 69 00	2	Fascetta tenuta tubi scarico e camera di espansione	Expansion chamber and exhaust pipes clamp	Collier chambre de détente et tuyau d'échapp.	Auspuffrohr-Expansionr. Schelle	
	12	14 12 34 00	2	Fascetta silenziatore	Silencer clamp	Collier silencieux	Schalldämpferschelle	
	13	98 05 44 20	2	Vite fissaggio silenziatore	Screw	Vis	Schraube	
	14	95 02 11 08	6	Rondella	Washer	Rondelle	Scheibe	
	15	92 60 22 08	6	Dado per vite fissaggio silenziatore	Nut	Ecrou	Mutter	
	16	29 12 86 00	1	Piastra fissaggio silenziatore dx	R.H. silencer plate	Plaque silencieux D	Schalldämpfer, Platte R.	
	17	29 12 87 00	1	Piastra fissaggio silenziatore sx	L.H. silencer plate	Plaque silencieux G	Schalldämpfer, Platte L.	



BASAMENTO E COPERCHI CRANKCASE - COVERS		CARTER MOTEUR - COUVERCLES KURBELGEHÄUSEUNT. - DECKEL			Tavola - Drawing Table - Bild			5
NOTE NOTES NOTES MARKE	POS. N.	N. COD. CODE No. No. CODE CODE Nr.	Q.ta Q.ty Q.té M.ge	DENOMINAZIONE	DESCRIPTION	DESIGNATION	BEZEICHNUNG	
	1	14 00 07 65	1	Basamento motore	Crankcase	Carter moteur	Kurbelgehäuseunterteil	
	2	12 00 39 00	1	Fondello	Plug	Bouchon	Stopfen	
	3	96 50 80 66	4	Prigioniero corto	Short stud	Goujon court	Kurze Stiftschraube	
	4	96 50 80 75	2	Prigioniero lungo	Long stud	Goujon long	Lange Stiftschraube	
	5	95 00 42 08	5	Rosetta	Washer	Rondelle	Scheibe	
	6	92 60 22 08	6	Dado	Nut	Ecrou	Mutter	
	7	12 01 89 00	2	Bussola riferimento	Coupling bush	Bague d'accouplement	Kupplungsbuchse	
	8	95 51 20 81	2	Spina di riferimento	Connecting pin	Axe de liaison	Haltebolzen	
	9	14 01 19 00	1	Flangia lato distribuzione compl. di cuscinetto	Flange with bearing, complete	Fiasque avec roulement complete	Flansch mit Lager, kpl.	
	9	14 01 19 01	1	Flangia (min. mm 0,2)	Flange (undersize mm 0.2)	Fiasque (minoré mm 0,2)	Flansch (Untergr. mm 0,2)	
	9	14 01 19 02	1	Flangia (min. mm 0,4)	Flange (undersize mm 0.4)	Fiasque (minoré mm 0,4)	Flansch (Untergr. mm 0,4)	
	9	14 01 19 03	1	Flangia (min. mm 0,6)	Flange (undersize mm 0.6)	Fiasque (minoré mm 0,6)	Flansch (Untergr. mm 0,6)	
	10	12 01 22 00	1	Spina	Peg	Bonhomme	Stift	
	11	98 05 44 25	14	Vite	Screw	Vis	Schraube	
	12	61 27 03 00	14	Rosetta	Washer	Rondelle	Scheibe	
	13	18 00 11 50	1	Flangia cop. generatore	Flange	Fiasque	Flansch	
	14	98 31 06 30	4	Vite fissaggio cop. generatore	Screw	Vis	Schraube	
	15	14 00 14 00	1	Coperchio distribuzione	Timing cover	Couvercle de distribution	Steuergehäusedeckel	
	16	12 00 12 00	1	Guarnizione	Gasket	Joint	Dichtung	
	17	90 40 28 40	1	Anello	Ring	Bague	Ring	
	18	98 62 03 25	8	Vite corta	Short screw	Vis courte	Kurze Schraube	
	19	98 62 03 35	6	Vite lunga	Long screw	Vis longue	Lange Schraube	
	20	18 00 16 50	1	Coperchio generatore	Alternator cover	Couvercle de l'alternateur	Generatordeckel	
	21	14 00 36 00	2	Guarnizione coppa	Sump gasket	Joint du carter	Dichtung	
	22	14 00 35 00	1	Coppa olio	Oil sump	Carter d'huile	Ölwanne	
	23	14 00 38 00	1	Raccordo	Connection	Raccord	Anschluss	
	24	12 00 37 02	1	Tappo scarico olio	Oil drain plug	Bouchon de vidange huile	Ölablassschraube	
	25	95 10 07 09	2	Guarnizione	Gasket	Joint	Dichtung	
	26	98 05 23 90	4	Vite lunga	Long screw	Vis longue	Lange Schraube	
	27	95 00 42 06	18	Rosetta	Washer	Rondelle	Scheibe	
	28	17 00 49 51	1	Tappo olio	Oil filler plug	Bouchon de rempl. huile	Öleintüllstutzen	
	29	12 01 18 00	1	Guarnizione flangia	Flange gasket	Joint de fiasque	Flanschdichtung	
	30	12 01 14 00	1	Flangia lato volano completa di cuscinetto	Flange with bearing, complete	Fiasque avec roulement, complete	Flansch mit Lager, kpl.	
	30	12 01 14 01	1	Flangia (min. mm 0,2)	Flange (undersize mm 0.2)	Fiasque (minoré mm 0,2)	Flansch (Untergr. mm 0,2)	
	30	12 01 14 02	1	Flangia (min. mm 0,4)	Flange (undersize mm 0.4)	Fiasque (minoré mm 0,4)	Flansch (Untergr. mm 0,4)	
	30	12 01 14 03	1	Flangia (min. mm 0,6)	Flange (undersize mm 0.6)	Fiasque (minoré mm 0,6)	Flansch (Untergr. mm 0,6)	
	31	12 01 17 00	1	Spina	Peg	Bonhomme	Stift	
	32	90 40 53 67	1	Anello di tenuta	Seal ring	Bague d'étanchéité	Dichtring	

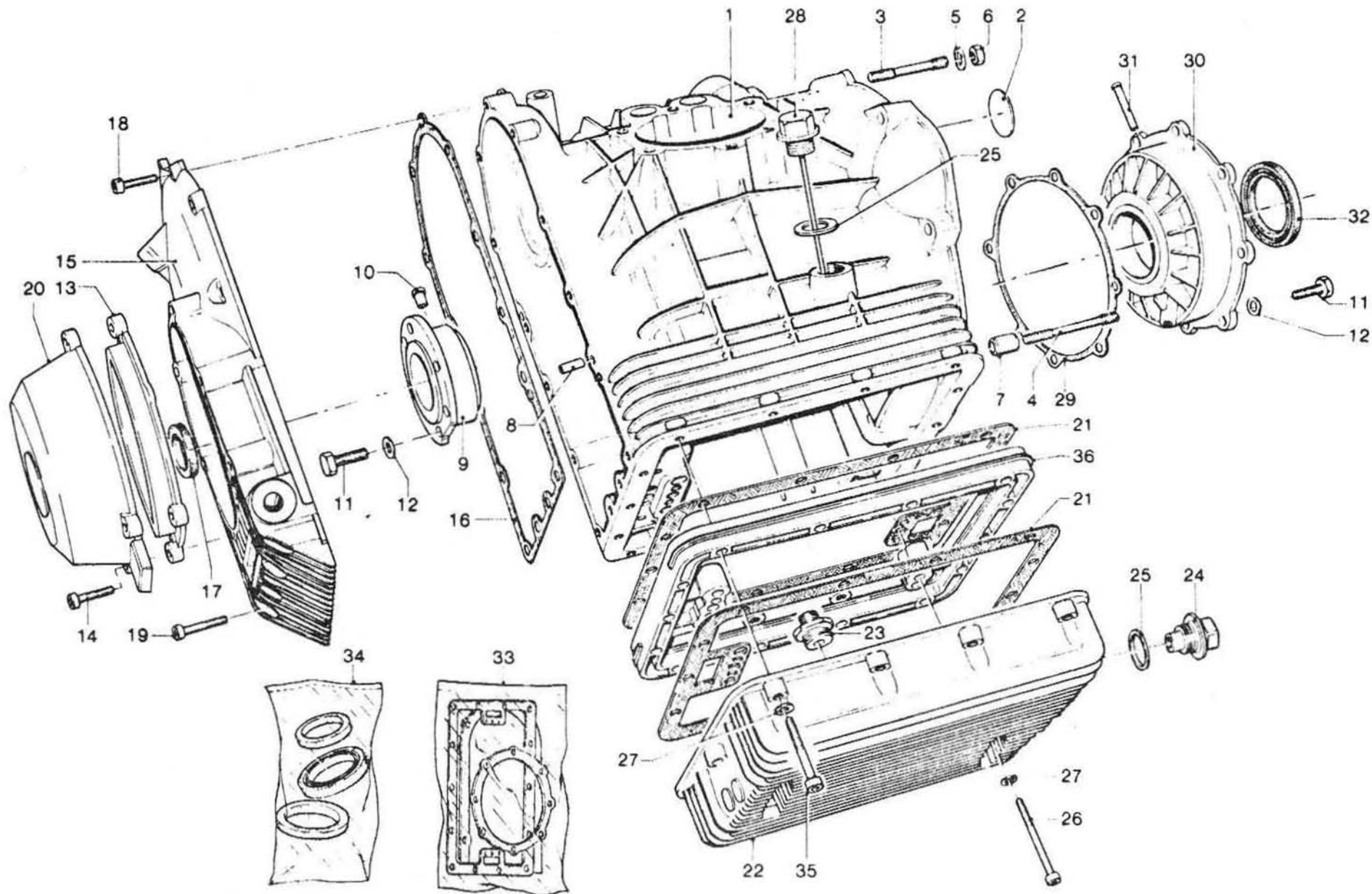
A13

BASAMENTO E COPERCHI
CRANKCASE - COVERS

CARTER MOTEUR - COUVERCLES
KURBELGEHÄUSEUNT. - DECKEL

Tavola - Drawing
Table - Bild

5



A14

BASAMENTO E COPERCHI CRANKCASE - COVERS		CARTER MOTEUR - COUVERCLES KURBELGEHÄUSEUNT. - DECKEL					Tavola - Drawing Table - Bild	5
NOTE NOTES NOTES MARKE	POS. N.	N. COD. CODE No. No. CODE CODE Nr	Q.ta Q.ty Q.té M.ge	DENOMINAZIONE	DESCRIPTION	DESIGNATION	BEZEICHNUNG	
	33	29 99 90 00	1	Gruppo guarnizioni	Gasket set	Ensemble de joints	Dichtungsausrüstung	
	34	17 99 95 50	1	Gruppo paraoli	Oil retainer set	Ensemble déflecteur huile	Ölspritzringausrüstung	
	35	98 62 03 55	14	Vite	Screw	Vis	Schraube	
	36	14 00 32 40	1	Flangia tra coppa e basamento	Flange	Fiasque	Flansch	
	—	29 99 10 00	1	Motore completo	Engine assy	Moteur complet	Motor, kpl.	
	—	29 99 14 00	1	Motore completo di cambio	Engine & gearbox, assy	Moteur et B.V. complet	Motor u. Wechselgetr. kpl.	

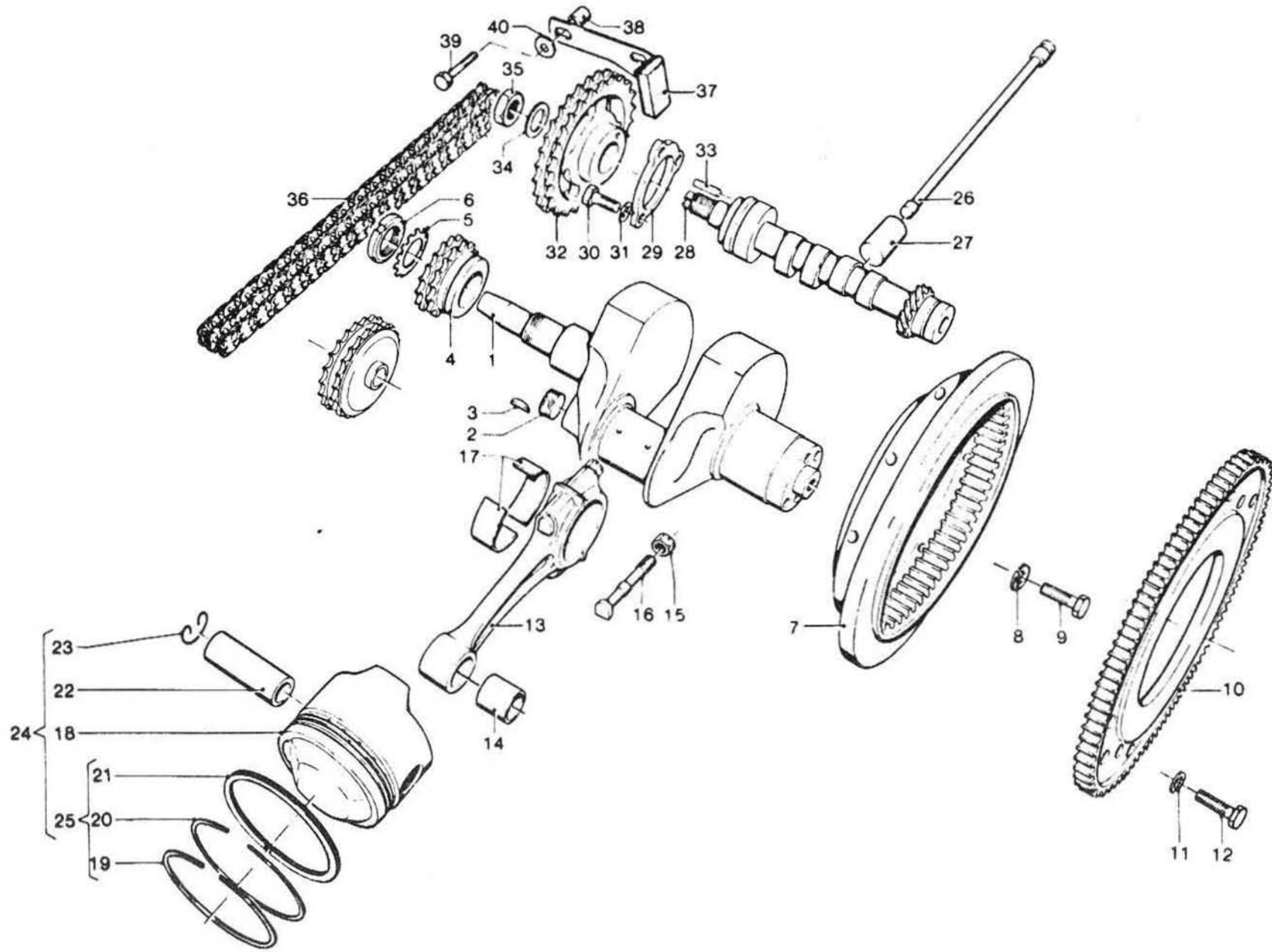
A15

IMBIELLAGGIO - DISTRIBUZIONE
CONNECTING AND TIMING SYSTEM

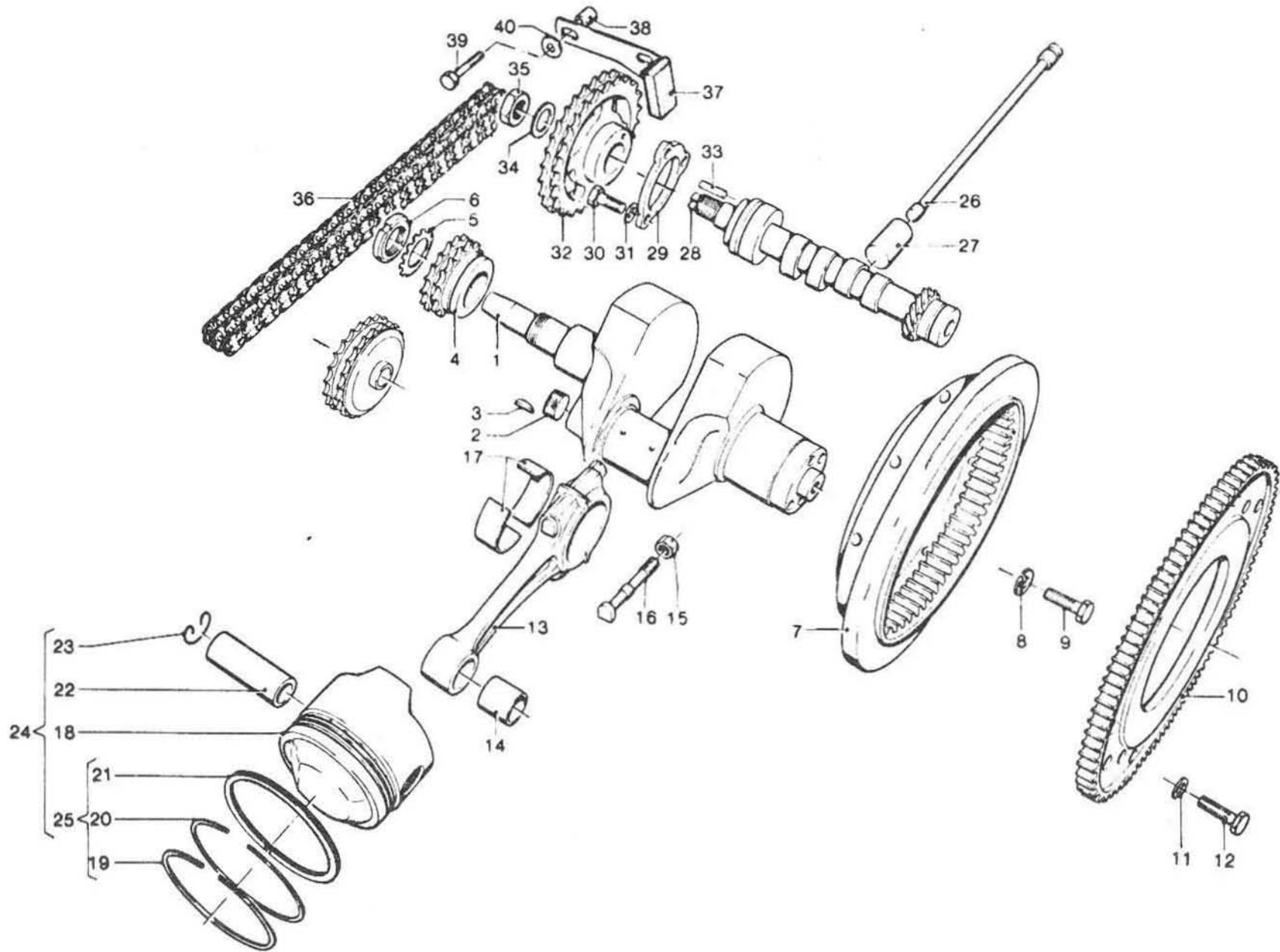
EQUIPAGE MOBILE - DISTRIBUTION
PLEUEL UND STEUERUNG

Tavola - Drawing
Table - Bild

6



IMBIELLAGGIO - DISTRIBUZIONE CONNECTING AND TIMING SYSTEM		EQUIPAGE MOBILE - DISTRIBUTION PLEUEL UND STEUERUNG			Tavola - Drawing Table - Bild		
NOTE NOTES NOTES MARKE	POS. N.	N. COD. CODE No. No. CODE CODE Nr.	Q.ta Q.ty Q.té M.ge	DENOMINAZIONE	DESCRIPTION	DESIGNATION	BEZEICHNUNG
	1	18 06 42 04	1	Albero motore	Crankshaft	Vilebrequin	Kurbelwelle
	2	12 06 54 00	1	Tappo	Plug	Bouchon	Stopfen
	3	91 70 23 55	1	Chiavella	Cotter pin	Clavette	Keil
	4	14 07 20 01	1	Pignone comando distribuzione	Driving pinion	Pignon d'attaque	Antriebritzel
	5	95 02 80 25	1	Rosetta	Washer	Rondelle	Scheibe
	6	93 60 10 26	1	Ghiera bloccaggio	Ring nut	Collier de serrage	Gewindering
	7	17 06 70 50	1	Volano motore	Flywheel	Volant	Schwungrad
	8	14 61 59 01	6	Rondella	Washer	Rondelle	Scheibe
	9	12 06 77 01	6	Vite	Screw	Vis	Schraube
	10	17 06 79 00	1	Corona dentata	Flywheel ring gear	Couronne dentée	Schwungradkranz
	11	14 61 59 01	14	Rosetta elastica	Spring washer	Rondelle élastique	Federring
	12	98 05 44 20	8	Vite	Screw	Vis	Schraube
	13	14 06 15 08	2	Biella completa	Connecting rod, assy	Bielle complète	Pleuelstange, kpl.
	14	91 11 21 22	2	Boccola	Bush	Douille	Buchse
	15	92 73 10 90	4	Dado autobloccante	Self-locking nut	Ecrou de sûreté	Sicherungsmutter
	16	14 06 22 01	4	Vite	Screw	Vis	Schraube
	17	12 06 20 05	4	Semicuscinetti di biella	Big-end half bearing	Demi-coussinet tête bielle	Pleuellagerschale
	17	12 06 20 06	4	Semicuscinetto (min. mm 0,254)	Half-bearing (undersize mm 0.254)	Demi-coussinet (minoré mm 0,254)	Lagerschale (Untergrösse mm 0,254)
	17	12 06 20 07	4	Semicuscinetto (min. mm 0,508)	Half-bearing (undersize mm 0.508)	Demi-coussinet (minoré mm 0,508)	Lagerschale (Untergrösse mm 0,508)
	17	12 06 20 08	4	Semicuscinetto (min. mm 0,762)	Half-bearing (undersize mm 0.762)	Demi-coussinet (minoré mm 0,762)	Lagerschale (Untergrösse mm 0,762)
	18	29 06 04 00	2	Pistone	Piston	Piston	Kolben
	19	14 06 07 60	2	Fascia elastica superiore	Piston ring	Segment d'étanchéité	Kolbenring
	20	18 06 09 50	2	Fascia elastica intermedia	Piston ring	Segment d'étanchéité	Kolbenring
	21	14 06 10 60	2	Fascia elastica raschiaolio	Scraper ring	Segment racleur	Ölabstreifring
	22	13 06 12 60	2	Spinotto	Wrist pin	Axe de piston	Kolbenbolzen
	23	90 35 10 37	4	Molletta	Circlip	Jonc d'arrêt	Sprengring
	24	18 06 02 01	2	Pistone completo	Piston, assy	Piston complet	Kolben kpl.
	25	18 06 06 01	2	Gruppo fasce elastiche	Piston ring set	Ensemble de segments	Kolbenringausrüstung
	26	17 04 50 50	4	Astina com. bilancieri	Tapper stem	Tige de poussoir	Stosstange
	27	10 04 58 00	4	Punterie	Valve plunger	Poussoir de soupape	Ventilstößel
	27	10 04 58 01	4	Punterie (magg. mm 0,05)	Valve plunger (oversize mm 0.05)	Poussoir de soupape (majoré mm 0,05)	Ventilstößel (Obergrösse mm 0,05)
	27	10 04 58 02	4	Punterie (magg. mm 0,10)	Valve plunger (oversize mm 0.10)	Poussoir de soupape (majoré mm 0,10)	Ventilstößel (Obergrösse mm 0,10)
	28	14 05 33 01	1	Albero a camme	Camshaft	Arbre de distribution	Nockenwelle
	29	12 05 40 00	1	Flangia	Flange	Flasque	Flansch
	30	98 05 43 20	3	Vite	Screw	Vis	Schraube
	31	95 12 00 65	3	Rosetta	Washer	Rondelle	Scheibe



IMBIELLAGGIO - DISTRIBUZIONE CONNECTING AND TIMING SYSTEM		EQUIPAGE MOBILE - DISTRIBUTION PLEUEL UND STEUERUNG					Tavola - Drawing Table - Bild	6
NOTE NOTES NOTES MARKE	POS. N.	N. COD. CODE No. No. CODE CODE Nr.	Q.ta Q.ty Q.té M.ge	DENOMINAZIONE	DESCRIPTION	DESIGNATION	BEZEICHNUNG	
	32	13 05 45 02	1	Ingranaggio comando distribuzione	Camshaft gear	Pignon d'arbre distribution	Nockenwellenrad	
	33	95 51 20 60	1	Spina	Pin	Goupille Mecanindus	Stift	
	34	14 43 34 00	1	Rosetta	Washer	Rondelle	Scheibe	
	35	92 60 25 18	1	Dado	Nut	Ecrou	Mutter	
	36	13 05 80 00	1	Catena comando distribuzione	Timing chain	Chaîne de distribution	Steuerkette	
	37	13 05 82 00	1	Piastra tendicatena	Chain stretching drive	Tendeur de chaîne	Kettenspanner	
	38	91 18 09 15	2	Tubetto distanziale	Spacer	Entretoise	Distanzstück	
	39	98 05 44 40	2	Vite	Screw	Vis	Schraube	
	40	61 27 03 00	2	Rosetta elastica ondulata	Washer	Rondelle	Scheibe	

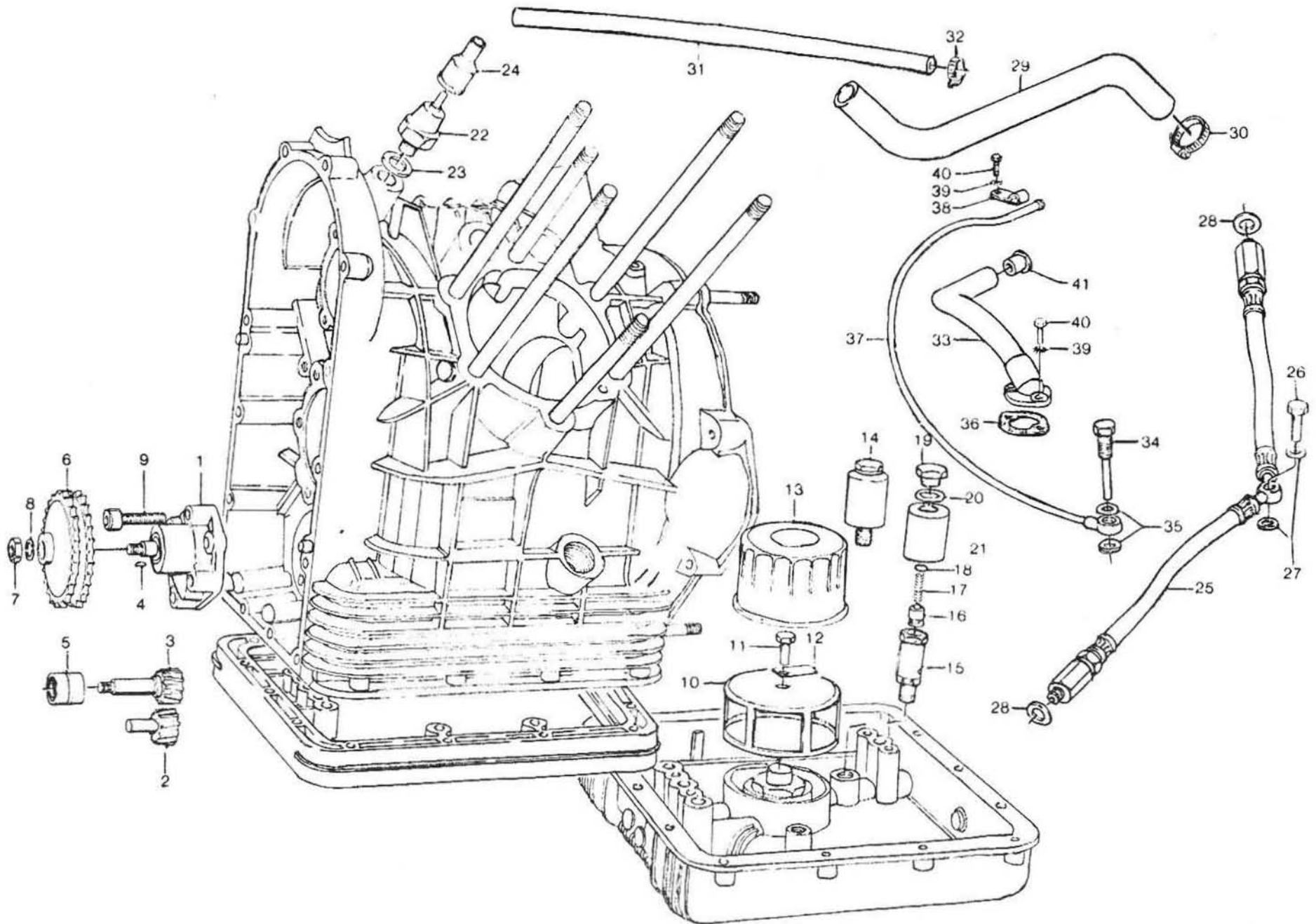
B3

LUBRIFICAZIONE
LUBRICATION

GRAISSAGE
SCHMIERUNG

Tavola - Drawing
Table - Bild

7



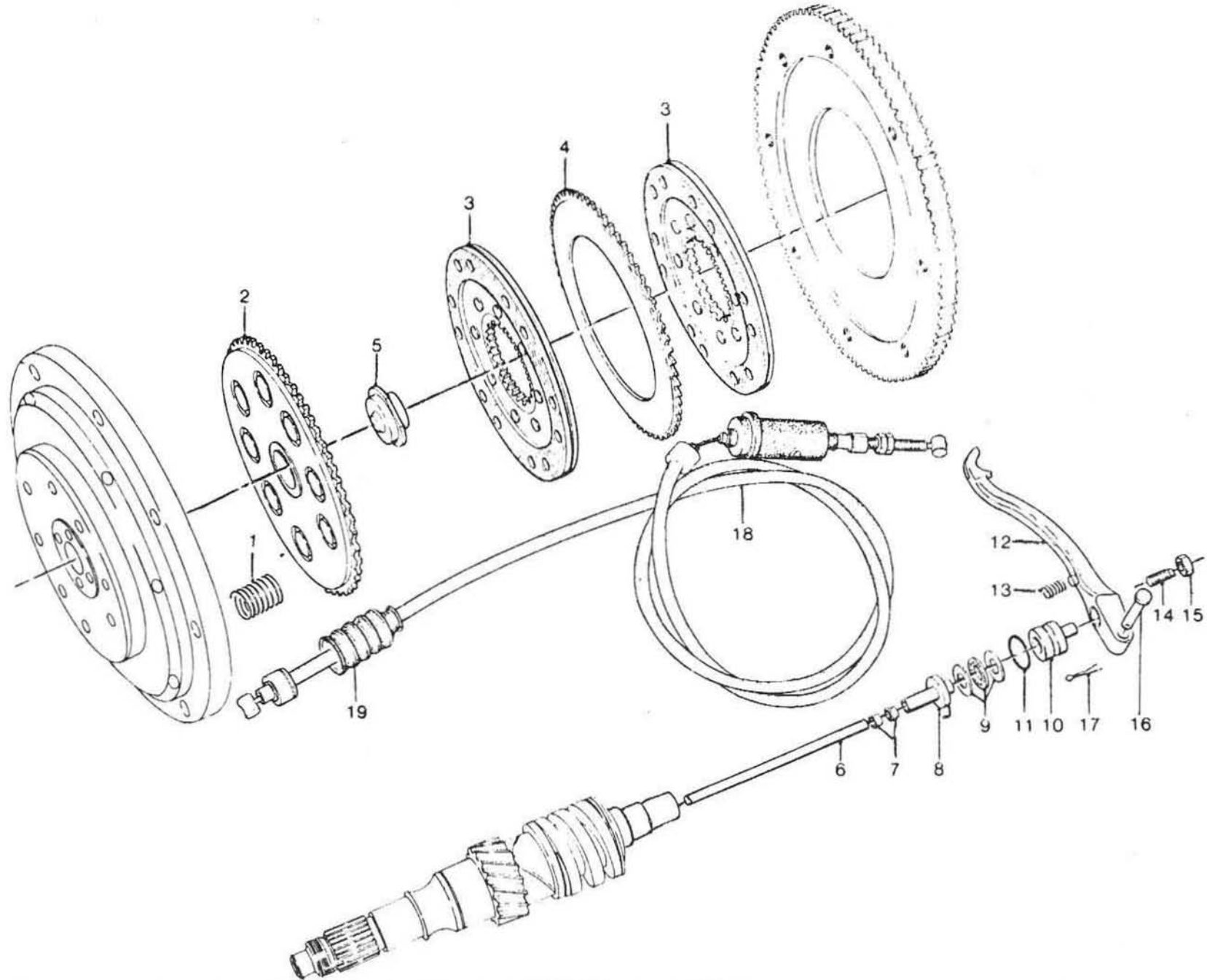
LUBRIFICAZIONE LUBRICATION		GRAISSAGE SCHMIERUNG					Tavola - Drawing Table - Bild	7
NOTE NOTES NOTES MARKE	POS. N.	N. COD. CODE No. No. CODE CODE Nr.	Q. tà Q. ty Q. te M. ge	DENOMINAZIONE	DESCRIPTION	DESIGNATION	BEZEICHNUNG	
	1	13 14 64 02	1	Pompa olio completa senza ingranaggio comando	Oil pump complete (No. 6 excluded)	Pompe à huile complète (Nr. 6 exclu)	Ölpumpe, kpl. (Nr. 6 aus.)	
	2	13 14 84 00	1	Ingranaggio condotto	Driven gear	Pignon mené	Zahnrad getrieben	
	3	13 14 78 00	1	Ingranaggio conduttore	Drive gear	Pignon menant	Steuerrad	
	4	13 14 83 00	1	Chiavella	Key	Clavette	Keil	
	5	92 25 22 10	1	Cuscinetto a rullini	Needle bearing	Roulement à aiguille	Nadellager	
	6	13 14 77 01	1	Ingranaggio comando pompa	Pump driving gear	Roue d'entrain. pompe	Zahnrad	
	7	92 60 23 08	1	Dado	Nut	Ecrou	Mutter	
	8	95 12 00 85	1	Rosetta	Washer	Rondelle	Scheibe	
	9	98 62 24 30	4	Vite	Screw	Vis	Schraube	
	10	14 15 22 00	1	Filtro olio a rete	Gauze	Tamis	Sieb	
	11	98 05 43 16	1	Vite	Screw	Viş	Schraube	
	12	95 18 70 06	1	Piastrina di sicurezza	Lock plate	Plaquette frein	Schliessblech	
	13	14 15 30 00	1	Filtro olio a cartuccia	Cartridge	Cartouche	Patrone	
	14	14 15 82 00	1	Valvola regolazione	Control valve	Clapet de decharge	Drucksteuerventil	
	15	10 15 87 01	1	Corpo valvola	Valve housing	Corps de clapet	Ventilgehäuse	
	16	12 15 09 00	1	Pistone per valvola	Valve piston	Piston de clapet	Ventilkolben	
	17	94 32 10 72	1	Molla per valvola	Valve spring	Ressort de clapet	Ventilfeder	
	18	12 15 07 00	1	Fondello per valvola	Bottom disc	Rondelle butée	Verschluss Scheibe	
	19	12 15 90 00	1	Tappo per valvola	Valve plug	Bouchon de clapet	Ventilstopfen	
	20	95 10 05 23	2 ÷ 3	Rosetta	Washer	Rondelle	Scheibe	
	21	14 15 88 00	1	Scodellino	Cup	Coupelle	Manschette	
	22	17 76 87 50	1	Trasmettitore segnalatore	Oil indicator	Mano-contact	Ölanzeige	
	23	12 00 64 00	1	Rosetta alluminio	Washer	Rondelle	Scheibe	
	24	12 71 76 00	1	Cappuccio trasmettitore	Cap	Capuchon	Schutzkappe	
	25	14 15 36 60	1	Tubazione mandata olio alle teste	Pipe	Tuyau	Rohr	
	26	95 99 00 37	5	Vite cava	Hollow screw	Vis creuse	Hohlschraube	
	27	12 15 42 00	2	Rosetta	Washer	Rondelle	Scheibe	
	28	25 65 61 01	2	Rondella	Washer	Rondelle	Scheibe	
	29	28 15 74 50	1	Tubazione dal motore al telaio	Pipe	Tuyau	Rohr	
	30	12 15 78 00	1	Fascetta	Clamp	Collier	Schelle	
	31	28 15 75 50	1	Tubazione recupero telaio motore	Pipe	Tuyau	Rohr	
	32	12 10 84 00	1	Fascetta	Clamp	Collier	Schelle	
	33	12 00 72 00	1	Tubazione sfiatatoio	Pipe	Tuyau	Rohr	
	34	12 00 66 00	1	Vite cava	Hollow screw	Vis creuse	Hohlschraube	
	35	12 00 64 00	2	Rosetta	Washer	Rondelle	Scheibe	
	36	12 00 76 00	1	Guarnizione	Gasket	Joint	Dichtung	
	37	17 00 62 50	1	Tubo recupero olio	Pipe	Tuyau	Rohr	
	38	12 00 65 00	1	Fascetta tubazione	Clamp	Collier	Schelle	
	39	95 12 00 65	3	Rosetta elastica	Spring washer	Rondelle elastique	Federring	
	40	98 05 43 16	3	Vite	Screw	Vis	Schraube	
	41	17 15 05 51	1	Valvola controllo sfiato	Valve	Soupape	Ventil	

FRIZIONE
CLUTCH

EMBRAYAGE
KUPPLUNG

Tavola - Drawing
Table - Bild

8



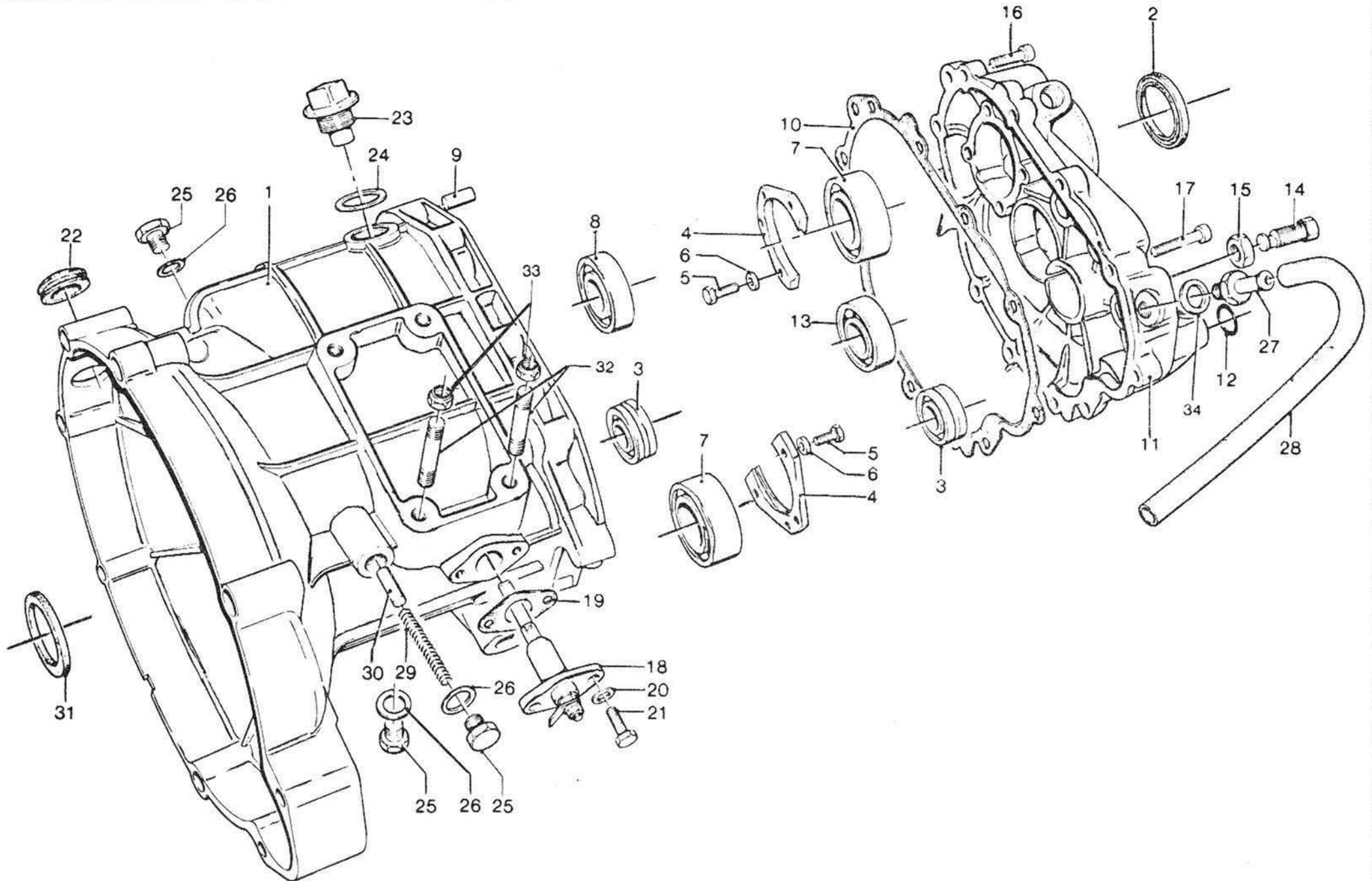
B6

FRIZIONE CLUTCH		EMBAYAGE KUPPLUNG						Tavola - Drawing Table - Bild
NOTE NOTES MARKE	POS. N.	N. COD. CODE No. No. CODE CODE Nr.	Q.tà Q.ty Q.te M.ge	DENOMINAZIONE	DESCRIPTION	DESIGNATION	BEZEICHNUNG	
	1	13 08 41 00	8	Molla per frizione	Spring	Ressort	Feder	
	2	12 08 29 01	1	Piattello spingimolle	Pressure plate	Plaque de pression	Druckplatte	
	3	14 08 44 50	2	Disco frizione completo	Clutch plate	Disque d'embr. compl.	Kupplungsscheibe, kpl.	
	4	12 08 23 00	1	Disco frizione intermedio	Intermediate plate	Disque intercalaire	Zwischenscheibe	
	5	12 08 28 00	1	Scodellino	Cup	Coupelle	Manschette	
	6	14 08 57 00	1	Asta	Rod	Tige de pousse	Druckstift	
	7	14 08 59 00	2	Bussola conica	Bush	Douille	Gummibuchse	
	8	14 08 60 00	1	Corpo interno	Inner body	Corps interieur	Innengehäuse	
	9	12 08 70 01	1	Cuscinetto reggispinta	Thrust bearing	Butee d'embrayage	Drucklager	
	10	14 08 61 00	1	Corpo esterno	Outer body	Corps exterieur	Aussengehäuse	
	11	90 70 61 70	1	Anello di tenuta	Seal ring	Joint d'etancheite	Dichtring	
	12	14 09 02 02	1	Leva disinnesto frizione	Operating lever	Lévier de degagement	Ausrückhebel	
	13	94 32 11 05	1	Molla ritorno leva	Counter spring	Ressort de rappel	Gegenfeder	
	14	14 09 04 00	1	Vite registro leva	Adjusting screw	Vis de réglage	Stellschraube	
	15	92 60 25 08	1	Dado	Nut	Ecrou	Mutter	
	16	95 78 02 71	1	Spina	Pin	Axe de maintien	Stift	
	17	95 50 02 22	1	Copiglia	Split pin	Goupille	Splint	
	18	18 09 30 40	1	Trasmissione com. frizione	Clutch cable	Câble d'embrayage	Kupplungskabel	
	19	17 09 38 50	1	Soffietto	Bellows	Soufflet	Balgmanschette	

SCATOLA E COPERCHI CAMBIO
GEARBOX AND COVERS

BOITE A VITESSES ET COUVERCLES
GETRIEBEGEHAUSE UND DECKEL

Tavola - Drawing
Table - Bild



SCATOLA E COPERCHI CAMBIO GEARBOX AND COVERS		BOITE A VITESSES ET COUVERCLES GETRIEBEGEHÄUSE UND DECKEL					Tavola - Drawing Table - Bild	9
NOTE NOTES MARKE	POS N.	N. COD. CODE No. No. CODE CODE Nr.	Q.ta Q.ty Q.te M.ge	DENOMINAZIONE	DESCRIPTION	DESIGNATION	BEZEICHNUNG	
	1	14 20 02 11	1	Scatola cambio	Gearbox	Boite a vitesses	Getriebegehäuse	
	2	90 40 35 47	1	Anello di tenuta A.S.	L.S. seal ring	Joint d'étanchéité A.S.	Dichtring für Ab.W.	
	3	92 25 62 18	2	Cuscinetto A.P. e A.F.	Main shaft and clutch shaft bearing	Roulement arbre primaire et arbre d'embrayage	Lager für Antrieb- und Kupplungswelle	
	4	14 21 38 03	2	Piastra di sicurezza	Lock plate	Plaquette de sûreté	Schliessblech	
	5	98 62 23 16	6	Vite	Screw	Vis	Schraube	
	6	14 21 79 01	6	Rosetta di sicurezza	Lock washer	Rondelle de sûreté	Sicherungsblech	
	7	92 21 84 24	2	Cuscinetto A.F. e A.S.	C.S. - L.S. bearing	Roulem. A. d'E. - A.S.	Lager für K.W. - Ab.W.	
	8	92 23 47 17	1	Cuscinetto A.S.	L.S. bearing	Roulement A.S.	Lager für Ab.W.	
	9	95 51 20 81	2	Spina di riferimento	Dowel	Téton	Dubel	
	10	14 20 11 10	1	Guarnizione	Gasket	Joint	Dichtung	
	11	18 20 08 01	1	Coperchio per scatola	Cover	Couvercle	Deckel	
	12	90 70 61 40	1	Anello di tenuta	Seal ring	Bague d'étanchéité	Dichtring	
	13	92 20 14 17	1	Cuscinetto per A.P.	M.S. bearing	Roulement A.P.	Lager für An.W.	
	14	14 23 78 00	1	Vite eccentrica	Eccentric screw	Vis excentrique	Ausmittige Schraube	
	15	92 60 25 12	1	Dado	Nut	Ecrou	Mutter	
	16	98 62 03 25	10	Vite corta	Short screw	Vis courte	Kurze Schraube	
	17	98 62 03 35	1	Vite lunga	Long screw	Vis longue	Lange Schraube	
	18	12 20 72 00	1	Corpo contatti	Contact holder	Porte-contact	Kontaktträger	
	19	12 20 77 00	1	Guarnizione	Gasket	Joint	Dichtung	
	20	95 00 02 06	2	Rosetta piana	Washer	Rondelle	Scheibe	
	21	98 05 43 16	2	Vite	Screw	Vis	Schraube	
	22	93 18 02 20	1	Tappo in gomma	Rubber plug	Bouchon en caoutchouc	Gummistopfen	
	23	12 00 37 02	1	Tappo olio	Oil filler plug	Bouchon de rempl. huile	Ölverschraubung	
	24	95 10 07 09	1	Guarnizione	Gasket	Joint	Dichtung	
	25	95 98 06 10	3	Tappo livello e scarico	Level and drain plug	Bouchon de niveau-vid.	Ölstand- und Ablass.	
	26	10 52 89 00	3	Guarnizione	Gasket	Joint	Dichtung	
	27	14 20 49 55	1	Tappo sfiatatoio	Breather	Renillard	Entlüfter	
	28	12 23 94 00	1	Tubazione	Breather pipe	Tuyau de renillard	Entlüterschlauch	
	29	94 32 10 67	1	Molla	Spring	Ressort	Feder	
	30	17 23 47 60	1	Nottolino fermo marce	Pawl	Cliquet d'arrêt	Sperrlinke	
	31	90 40 35 48	1	Anello di tenuta A.F.	C.S. seal ring	Bague d'étanchéité A.d'E.	Dichtring für K.W.	
	32	96 50 80 32	2	Prigioniero scatola cambio fiss. piastra porta batteria	Stud bolt	Goujon prisonnier	Stiftschraube	
	33	92 63 01 08	1	Dado autobloccante	Self-locking nut	Ecrou de sûreté	Sicherungsmutter	
	34	12 15 42 00	1	Guarnizione	Gasket	Joint	Dichtung	
	—	17 99 15 60	1	Cambio completo	Gearbox, assy	Boite a vitesses, compl.	Getriebegehäuse, kpl.	

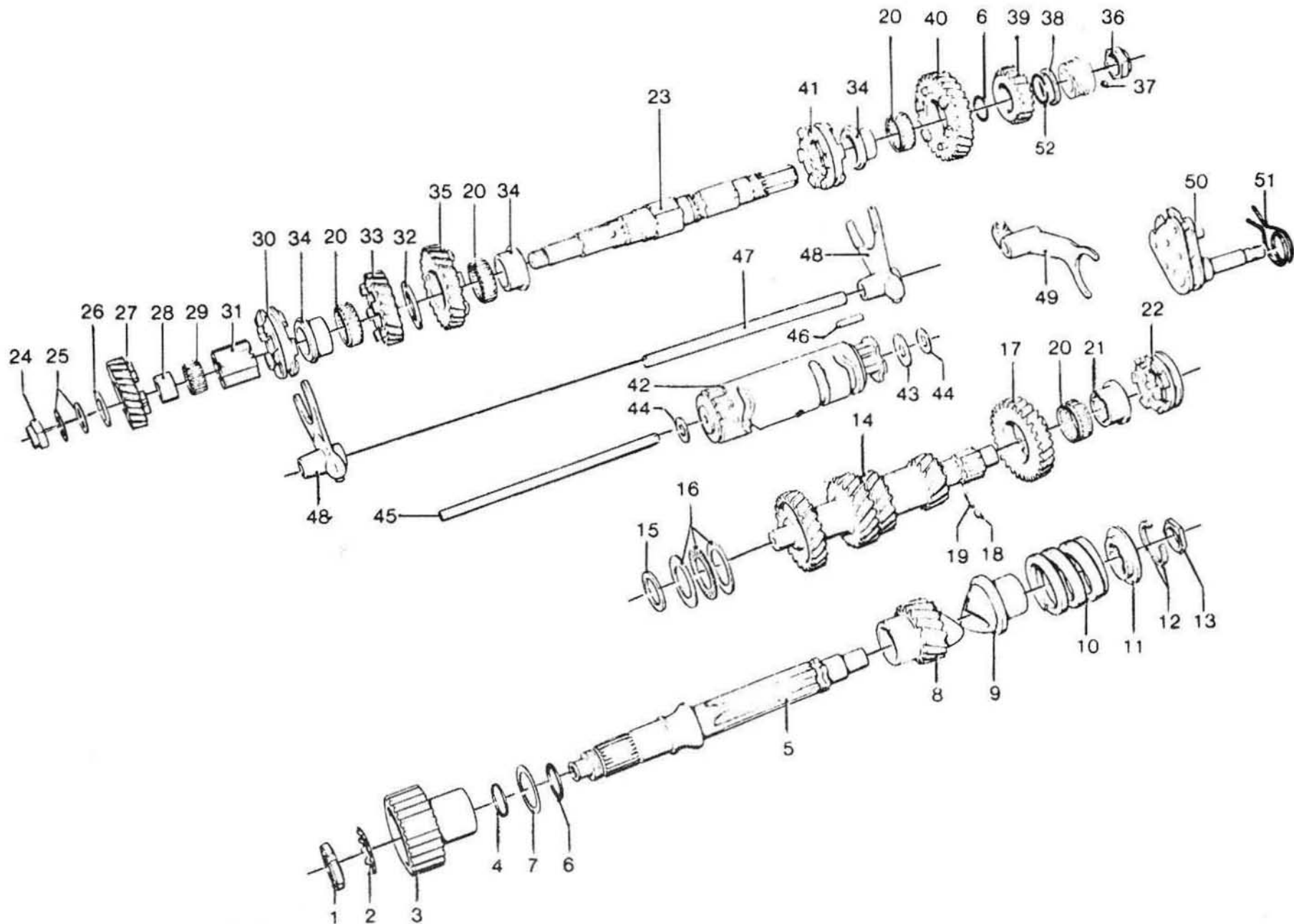
B9

INGRANAGGI - ALBERI E COM. CAMBIO
GEARS - SHAFT - CONTROLS

PIGNONS - ARBRES - COMMANDES
ZAHNRAD - WELLEN - SCHALTUNG

Tavola - Drawing
Table - Bild

10



B10

INGRANAGGI - ALBERI E COM. CAMBIO GEARS - SHAFT - CONTROLS		PIGNONS - ARBRES - COMMANDES ZAHNRAD - WELLEN - SCHALTUNG					Tavola - Drawing Table - Bild	10
NOTE NOTES MARKE	POS. N.	N. COD. CODE No. No. CODE CODE Nr.	Q.ta Q.ty Q.te M.ge	DENOMINAZIONE	DESCRIPTION	DESIGNATION	BEZEICHNUNG	
	1	93 60 10 22	1	Ghiera	Locking sleeve	Manchon de verrouilli.	Sicherungsring	
	2	95 02 80 22	1	Rondella di sicurezza	Lock washer	Rondelle de sûreté	Sicherungsblech	
	3	14 08 18 11	1	Corpo inter. frizione	Clutch gear	Pignon d'embrayage	Kupplungsrad	
	4	90 70 62 35	1	Guarnizione	Gasket	Joint	Dichtung	
	5	14 21 07 02	1	Albero frizione (A.F.)	Clutch shaft (C.S.)	Arbre d'embrayage (A.d'E.)	Kupplungswelle (K.W.)	
	6	90 70 62 03	2	Anello di tenuta A.F.-A.S.	Seal ring (C.S.-L.S.)	Bague d'ét. (A.d'E.-A.S.)	Dichtring für K.W.-Ab.W.	
	7	14 21 84 01	1	Rondella spandiolio	Oil spreading washer	Rondelle ep. huile	Ölwegerscheibe	
	8	14 21 11 10	1	Ingranaggio rinvio (Z = 17)	Idle gear (Z = 17)	Pignon intermed. (Z = 17)	Zahnradvorgelege 17 Z	
	9	14 21 12 01	1	Manicotto ad innesti	Coupling muff	Manchon à crabots	Eingreifmuffe	
	10	13 21 15 00	1	Molla	Spring	Ressort	Feder	
	11	14 21 16 00	1	Piattello	Cup	Coupelle	Manschiette	
	12	12 21 17 00	2	Semisettori	Semi-collar	Plaquette d'arrêt	Halbsektor	
	13	14 21 94 01	1	Spessore	Spacer	Cale	Distanzstück	
	14	14 21 05 13	1	Albero primario (A.P.)	Main shaft (M.S.)	Arbre primaire (A.P.)	Antriebwelle (An.W.)	
	15	18 21 10 50	1	Rosetta di rasamento mm 2	Support washer mm 2	Rondelle d'appui mm 2	Stützscheibe mm 2	
	15	18 21 10 51	1	Rosetta di rasamento mm 2,1	Support washer mm 2,1	Rondelle d'appui mm 2,1	Stützscheibe mm 2,1	
	15	18 21 10 52	1	Rosetta di rasamento mm 2,2	Support washer mm 2,2	Rondelle d'appui mm 2,2	Stützscheibe mm 2,2	
	15	18 21 10 54	1	Rosetta di rasamento mm 2,4	Support washer mm 2,4	Rondelle d'appui mm 2,4	Stützscheibe mm 2,4	
	16	92 25 85 25	1	Cuscinetto rullini reggispinta	Needle bearing	Roulement à aiguilles	Nadellager	
	17	14 21 20 13	1	Ingranaggio 5a A.P. (Z = 28)	5th gear (M.S.) (Z = 28)	Pignon 5ème (A.P.) (Z = 28)	(An. W.) Schaltrad 5. Gang 28 Z	
	18	92 29 67 50	1	Rullo di fermo boccola	Bush lock	Galet d'interlock	Buchseanlagstift	
	19	94 32 10 51	1	Molla	Spring	Ressort	Feder	
	20	92 25 10 30	4	Gabbia a rullini	Needle cage	Cage à aiguilles	Nadelkäfig	
	21	14 21 22 10	1	Boccola per 5a (A.P.)	5th gear bush (M.S.)	Douille 5ème (A.P.)	Buchse 5. Gang (An.W.)	
	22	14 23 15 10	1	Manicotto scorrevole 5a	5th gear sliding sleeve	Baladeur 5ème	Schiebemuffe für 5. Gang	
	23	14 21 36 12	1	Albero secondario (A.S.)	Layshaft (L.S.)	Arbre secondaire (A.S.)	Abtriebwelle (Ab.W.)	
	24	14 21 74 10	1	Dado di sicurezza A.S.	Nut (L.S.)	Ecrou (A.S.)	Bundmutter (Ab.W.)	
	25	43 08 38 10	2 ÷ 4	Rosetta di aggiustaggio	Shim	Disque d'ajustement	Passscheibe	
	26	14 21 54 00	1	Rosetta di spallamento	Support washer	Rondelle d'épaulement	Stützscheibe	
	27	14 21 51 10	1	Ingranaggio 4a A.S. (Z = 20)	4th gear (L.S.) (Z = 20)	Pignon 4ème (A.S.) (Z = 20)	(Ab.W.) Schaltrad 4. Gang 20 Z	
	28	92 25 90 17	1	Anello interno 4a	4th gear inner ring	Anneau int. 4ème	Innenring für 4. Gang	
	29	92 25 10 22	1	Gabbia a rullini 4a A.S.	4th gear needle cage (L.S.)	Cage à aiguilles 4ème (A.S.)	Nadelkäfig für 4. Gang (Ab.W.)	
	30	14 23 10 12	1	Manicotto 3a - 4a A.S.	3rd - 4th sliding sleeve (L.S.)	Baladeur 3ème - 4ème (A.S.)	Schiebemuffe für 3-4 Gang (Ab.W.)	
	31	14 23 25 12	1	Manicotto fisso A.S.	Sleeve (L.S.)	Manchon (A.S.)	Muffe (Ab.W.)	
	32	14 21 80 11	1	Rosetta di spallamento A.S.	Support washer (L.S.)	Rondelle d'appui (A.S.)	Stützscheibe (Ab.W.)	
	33	14 21 48 10	1	Ingranaggio 3a A.S. (Z = 22)	3rd gear (L.S.) (Z = 22)	Pignon 3ème (A.S.) (Z = 22)	(Ab.W.) Schaltrad 3. Gang 22 Z	

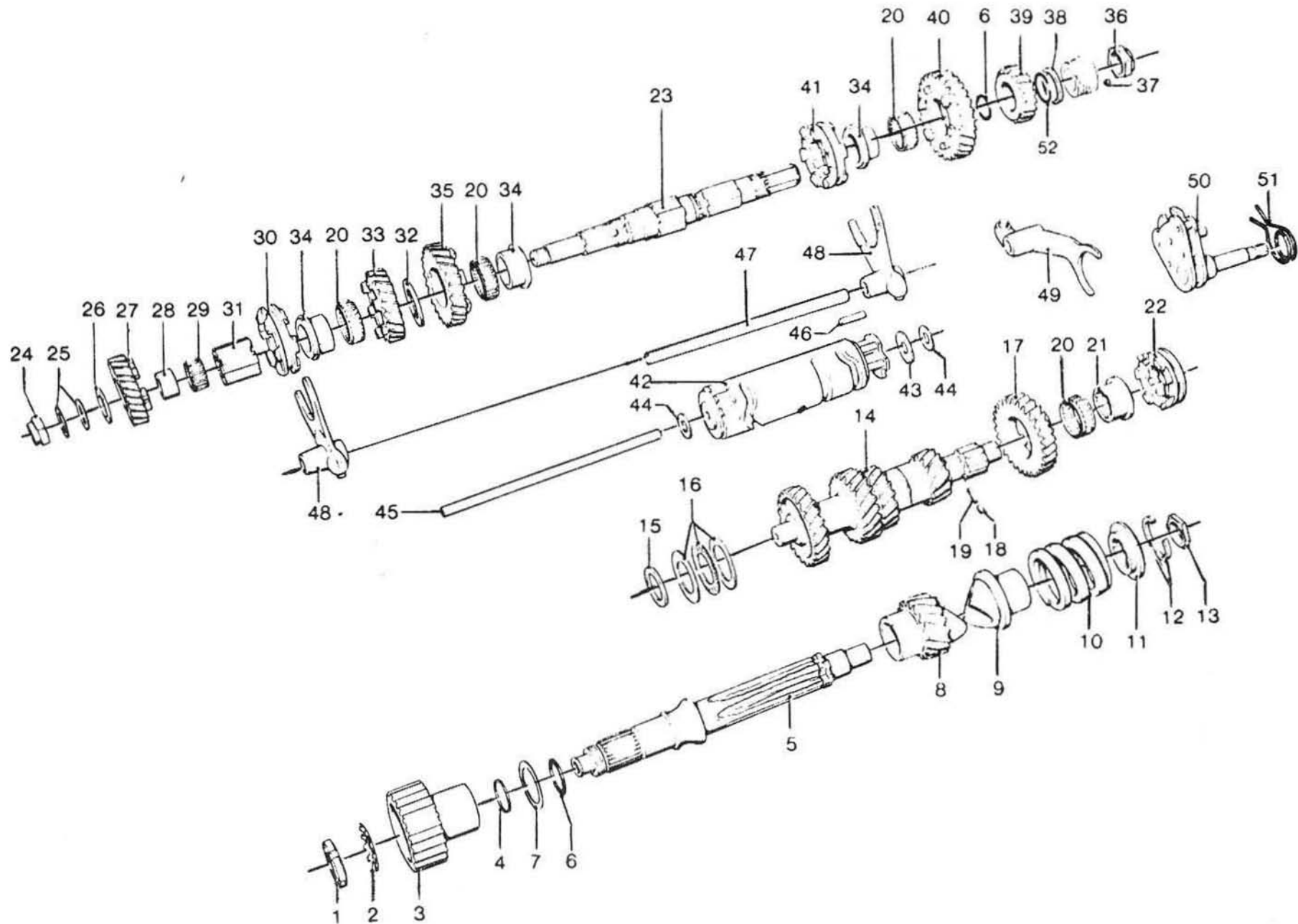
B11

INGRANAGGI - ALBERI E COM. CAMBIO
GEARS - SHAFT - CONTROLS

PIGNONS - ARBRES - COMMANDES
ZAHNRAD - WELLEN - SCHALTUNG

Tavola - Drawing
Table - Bild

10



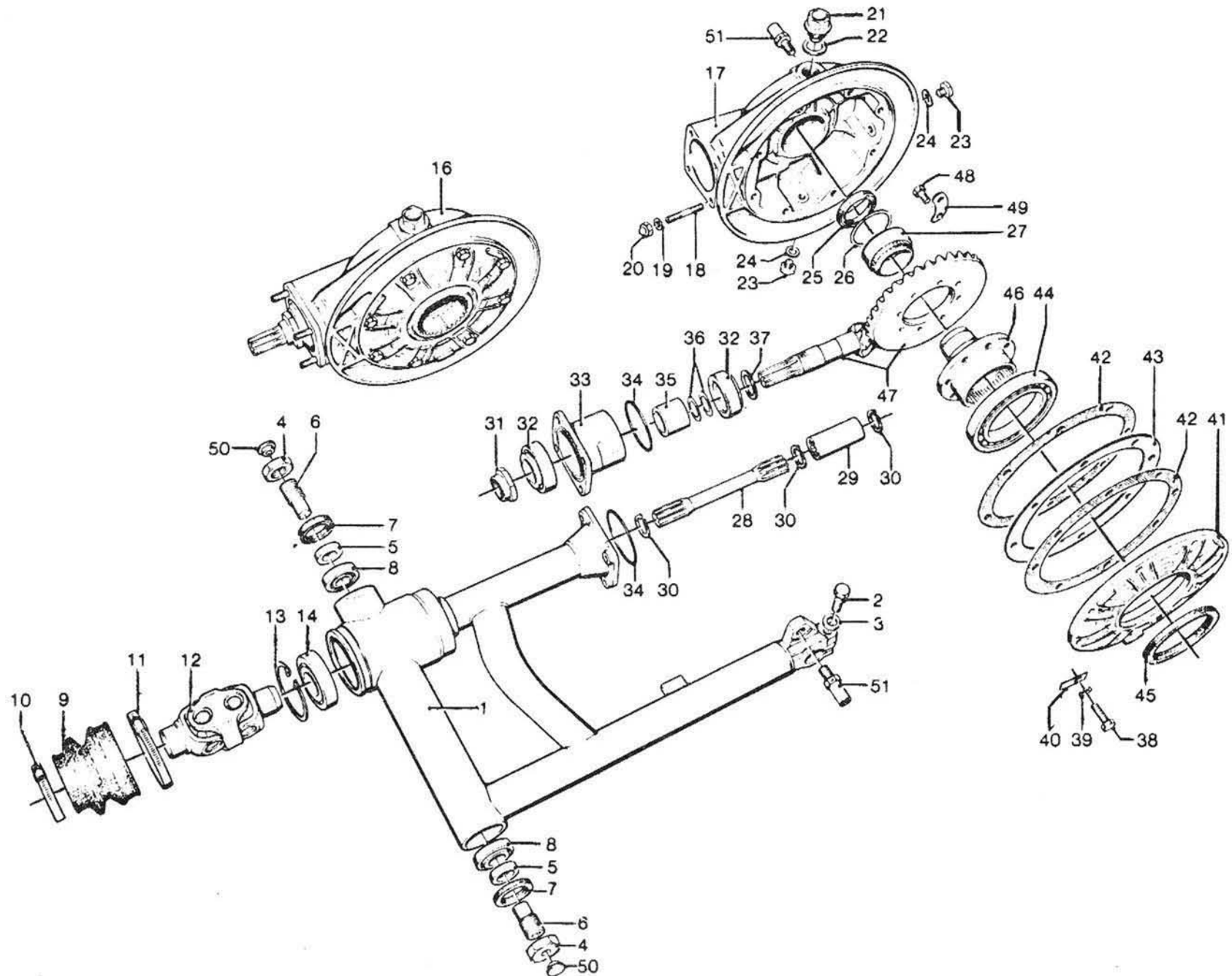
INGRANAGGI - ALBERI E COM. CAMBIO GEARS - SHAFT - CONTROLS		PIGNONS - ARBRES - COMMANDES ZAHNRAD - WELLEN - SCHALTUNG					Tavola - Drawing Table - Bild	10
NOTE NOTES NOTES MARKE	POS. N.	N. COD. CODE No. No. CODE CODE Nr.	Q.tà Q.ty Q.té M.ge	DENOMINAZIONE	DESCRIPTION	DESIGNATION	BEZEICHNUNG	
	34	14 21 30 01	3	Boccola 1a-2a-3a A.S.	1st-2nd-3rd bush (L.S.)	Douille 1ère-2ème-3ème (A.S.)	Buchse für 1.2.3 Gang (Ab.W.)	
	35	14 21 45 10	1	Ingranaggio 2a A.S. (Z = 25)	2nd gear (L.S.) (Z = 25)	Pignon 2ème (A.S.) (Z = 25)	(Ab.W.) Schaltrad 2. Gang 25 Z	
	36	14 21 93 10	1	Dado bloccaggio A.S.	Locking nut (L.S.)	Ecrou de serrage (A.S.)	Bundmutter (Ab.W.)	
	37	92 29 57 02	1	Sfera	Ball	Bille	Kugel	
	38	14 21 73 00	1	Rosetta di spallamento	Support washer	Rondelle d'épaulement	Stutzscheibe	
	39	14 21 52 13	1	Ingranaggio 5a A.S. (Z = 21)	5th gear (L.S.) (Z = 21)	Pignon 5ème (A.S.) (Z = 21)	(Ab.W.) Schaltrad 5. Gang 21 Z	
	40	14 21 42 10	1	Ingranaggio 1a A.S. (Z = 28)	1st gear (L.S.) (Z = 28)	Pignon 1ère (A.S.) (Z = 28)	(Ab.W.) Schaltrad 1. Gang 28 Z	
	41	14 23 07 11	1	Manicotto scorrevole 1a e 2a A.S.	1st-2nd sliding sleeve (L.S.)	Baladeur 1ère-2ème (A.S.)	Schiebenmuffe für 1.-2. Gang (Ab.W.)	
	42	14 23 44 05	1	Tamburo scanalato	Splined drum	Tambour de comm.	Keilwelle	
	43	14 23 55 00	1	Rosetta	Washer	Rondelle	Scheibe	
	44	55 23 50 00	3	Rosetta di aggiustaggio mm 0,6	Shim mm 0.6	Rondelle d'ajustem. mm 0,6	Passscheibe mm 0,6	
	44	55 23 50 01	3	Rosetta di aggiustaggio mm 0,8	Shim mm 0.8	Rondelle d'ajustem. mm 0,8	Passscheibe mm 0,8	
	44	55 23 50 02	3	Rosetta di aggiustaggio mm 1	Shim mm 1	Rondelle d'ajustem. mm 1	Passscheibe mm 1	
	44	55 23 50 03	3	Rosetta di aggiustaggio mm 1,2	Shim mm 1.2	Rondelle d'ajustem. mm 1,2	Passscheibe mm 1,2	
	45	14 23 43 00	1	Asta	Rod	Tige	Keilwellestange	
	46	14 23 46 00	4	Piolo per tamburo	Drum pin	Goupille de tambour	Keilwellestift	
	47	14 23 24 00	1	Asta per forcellini	Shiftfork rod	Axe de fourchette	Schaltgabelstange	
	48	14 23 05 01	2	Forcellini 1a-2a-3a-4a	1st-2nd-3rd-4th shift fork	Fourchette 1ère-2ème- 3ème-4ème	Schaltgabel für 1-2-3-4 Gang	
	49	14 23 12 01	1	Forcellino 5a	5th shiftfork	Fourchette 5ème	Schaltgabel für 5. Gabel	
	50	14 23 62 02	1	Preselettore completo	Preselection, complete	Préselecteur complet	Vorwahl, kpl.	
	51	14 23 82 01	1	Molla richiamo preselettore	Return spring	Ressort de rappel	Rückzugfeder	
	52	90 70 62 19	1	Guarnizione OR	Gasket	Joint	Dichtung	

B13

FORCELLONE OSCILL. - TRASMISSIONE POST. FOURCHETTE ET TRANSMISSION AR
REAR FORK AND TRANSMISSION HINTERGABEL - KRAFTÜBERTRAGUNG

Tavola - Drawing
Table - Bild

11



FORCELLONE OSCILL. - TRASMISSIONE POST. FOURCHETTE ET TRANSMISSION AR REAR FORK AND TRANSMISSION							Tavola - Drawing Table - Bild	11
NOTE NOTES NOTES MARKE	POS. N.	N. COD. CODE No. No. CODE CODE Nr.	Q.tà Q.ty Q.té M.ge	DENOMINAZIONE	DESCRIPTION	DESIGNATION	BEZEICHNUNG	
	1	29 54 02 00	1	Forcellone oscillante	Rear fork	Fourche AR	Hintergabel	
	2	98 05 25 35	1	Vite	Screw	Vis	Schraube	
	3	95 00 42 10	1	Rosetta	Washer	Rondelle	Scheibe	
	4	14 54 78 00	2	Dado cieco	Nut	Ecrou borgne	Mutter	
	5	12 54 72 00	2	Distanziale	Spacer	Entretoise	Distanzstück	
	6	14 54 70 01	2	Perno	Pin	Goujon	Stift	
	7	90 40 30 40	2	Anello di tenuta	Seal ring	Bague d'étanchéité	Dichtring	
	8	92 24 92 17	2	Cuscinetto	Bearing	Roulement	Lager	
	9	18 54 80 00	1	Soffietto di protezione	Bellows	Soufflet	Faltenbag	
	10	12 54 84 01	1	Fascetta piccola	Clamp	Collier	Schelle	
	11	12 54 82 01	1	Fascetta grande	Clamp	Collier	Schelle	
	12	17 32 80 50	1	Doppio giunto cardanico	Double joint	Joint double	Doppelverbindung	
	13	90 27 20 62	1	Anello seeger	Circlip	Jonc d'arrêt	Sicherungsring	
	14	92 20 42 30	1	Cuscinetto a sfere	Ball bearing	Roulement à billes	Kugellager	
	15	29 55 52 00	1	Perno inferiore	Pin	Goujon	Stift	
	16	17 35 02 50	1	Scatola trasmissione completa	Transmission complete	Transmission, complète	Kraftübertragung, kpl.	
	17	17 35 03 00	1	Scatola trasmissione	Transmission housing	Carter de transmission	K.übertragunggehäuse	
	18	96 50 80 45	4	Vite prigioniera	Stud	Goujon	Stiftschraube	
	19	14 61 59 01	4	Rosetta	Washer	Rondelle	Scheibe	
	20	92 78 10 81	4	Dado cieco	Nut	Ecrou	Mutter	
	21	12 00 37 02	1	Tappo olio	Oil plug	Bouchon d'huile	Ölschraube	
	22	95 10 07 09	1	Rosetta alluminio	Washer	Rondelle	Scheibe	
	23	95 98 06 10	2	Tappo livello-scarico olio	Level and drain plug	Bouchon niveau et vidange	Ölmess u. Ablassschraube	
	24	10 52 89 00	2	Rosetta alluminio	Washer	Rondelle	Scheibe	
	25	90 40 38 50	1	Anello di tenuta	Seal ring	Bague d'étanchéité	Dichtring	
	26	12 35 11 00	1	Anello di tenuta gabbia	Seal ring	Bague d'étanchéité	Dichtring	
	27	92 25 43 40	1	Cuscinetto a rullini	Needle bearing	Roulement à aiguilles	Nadellager	
	28	29 32 63 00	1	Albero trasmissione	Drive shaft	Arbre de transmission	Gelenkwelle	
	29	12 32 77 00	1	Manicotto per albero	Sleeve	Manchon	Keilbuchse	
	30	90 27 10 20	3	Anello elastico	Circlip	Jonc d'arrêt	Sicherungsring	
	31	12 35 67 00	1	Dado	Nut	Ecrou	Mutter	
	32	92 24 92 27	2	Cuscinetto a rulli conici	Taper roller bearing	Roulement conique	Kegelrollerlager	
	33	18 35 24 00	1	Custodia	Flange	Flasque	Flansch	
	34	90 70 65 84	2	Guarnizione	Gasket	Joint	Dichtung	
	35	18 35 51 00	1	Distanziale	Spacer	Entretoise	Distanzstück	
	36	12 35 52 02	1 ÷ 2	Rosetta regolazione mm 0,1	Shim mm 0.1	Rondelle d'ajustem. mm 0,1	Passscheibe mm 0,1	
	36	12 35 52 03	1 ÷ 2	Rosetta regolazione mm 0,15	Shim mm 0.15	Rondelle d'ajust. mm 0,15	Passscheibe mm 0,15	
	37	12 35 53 01	1 ÷ 2	Spessore per pignone mm 1	Pinion shim mm 1	Cale d'épaisseur mm 1	Ausgleichscheibe mm 1	
	37	12 35 53 02	1 ÷ 2	Spessore per pignone mm 1,2	Pinion shim mm 1.2	Cale d'épaisseur mm 1,2	Ausgleichscheibe mm 1,2	
	37	12 35 53 03	1 ÷ 2	Spessore per pignone mm 1,5	Pinion shim mm 1.5	Cale d'épaisseur mm 1,5	Ausgleichscheibe mm 1,5	

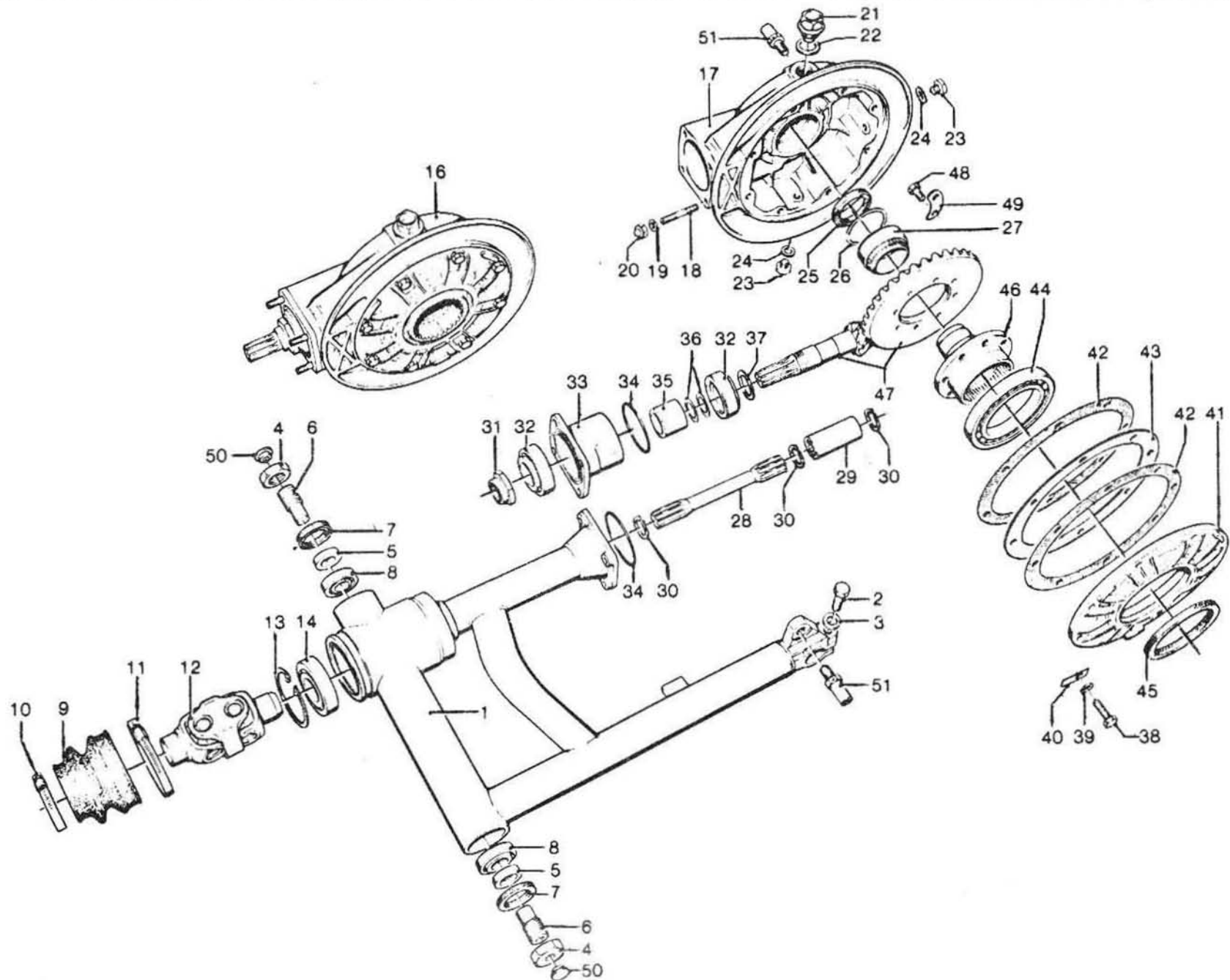
B15

FORCELLONE OSCILL. - TRASMISSIONE POST.
REAR FORK AND TRANSMISSION

FOURCHETTE ET TRANSMISSION AR
HINTERGABEL - KRAFTÜBERTRAGUNG

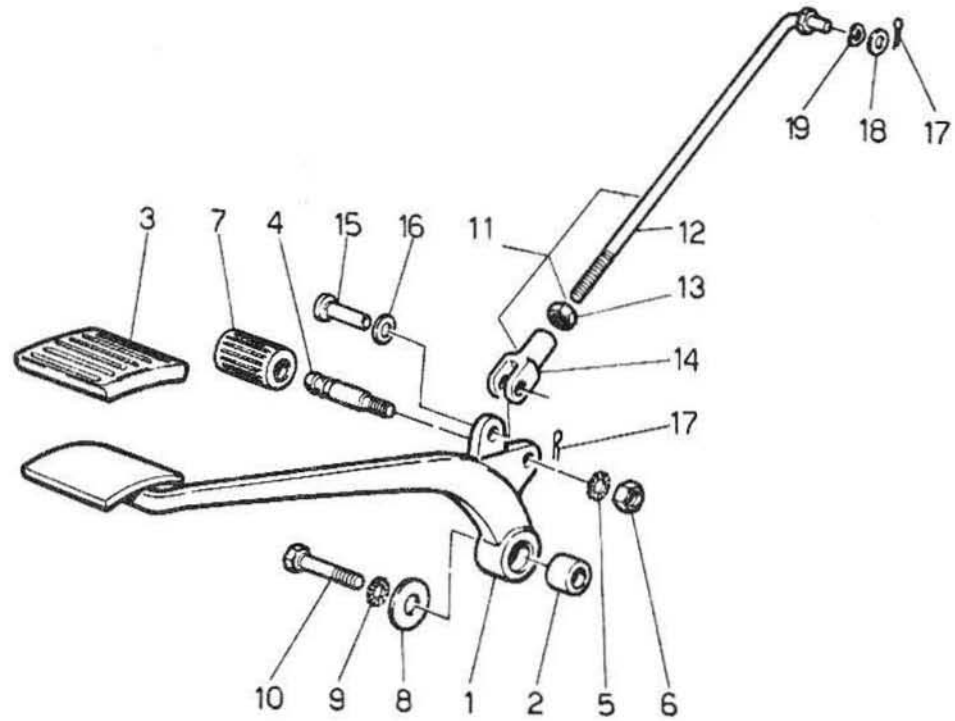
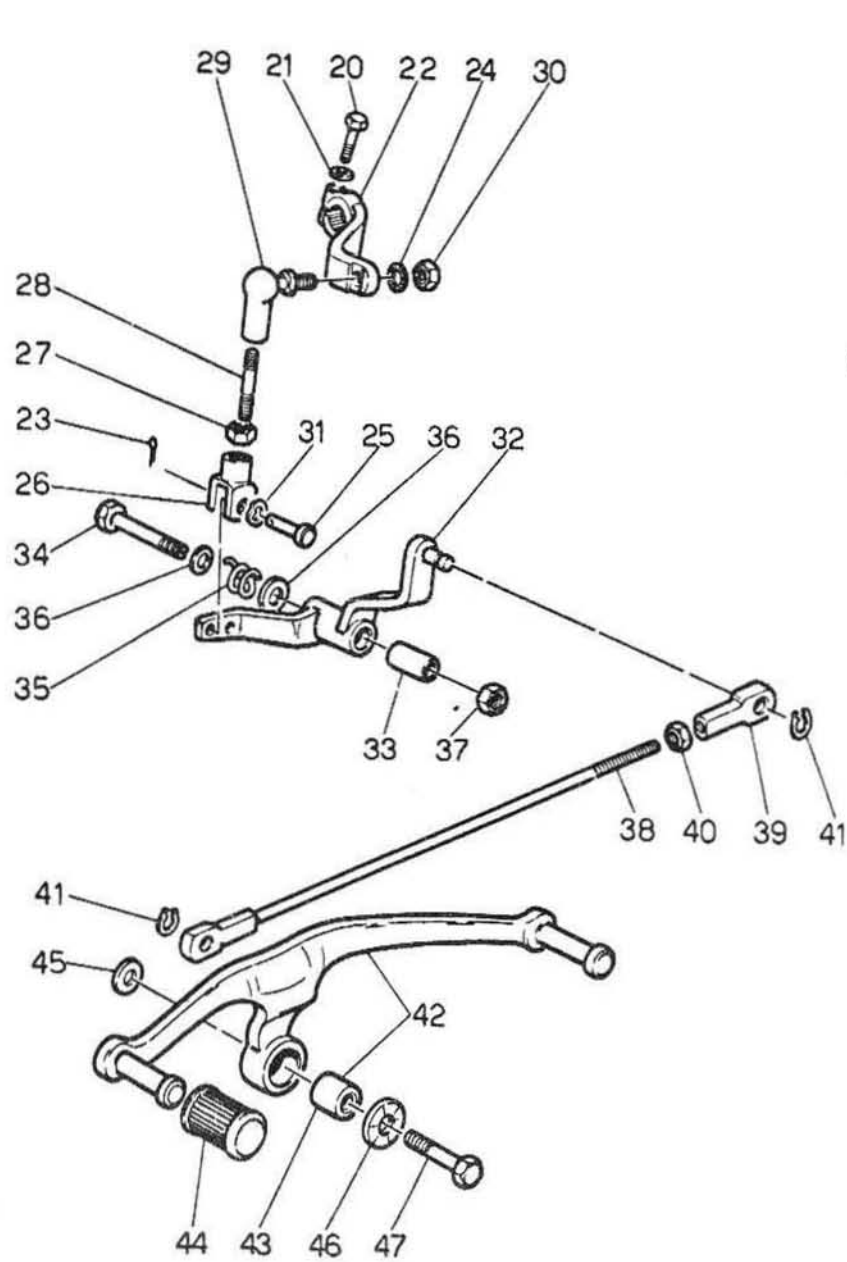
Tavola - Drawing
Table - Bild

11

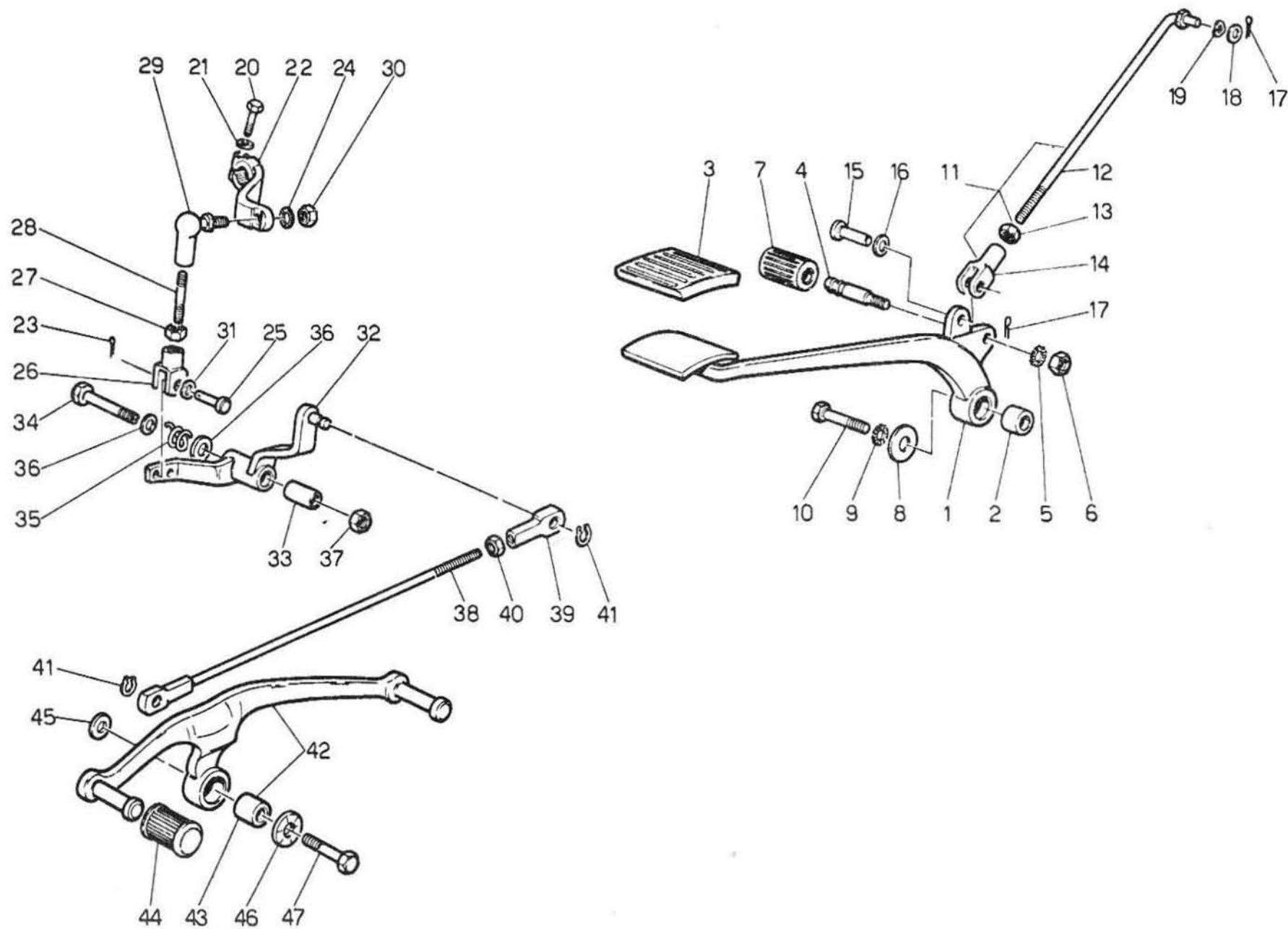


B16

FORCELLONE OSCILL. - TRASMISSIONE POST. REAR FORK AND TRANSMISSION				FOURCHETTE ET TRANSMISSION AR HINTERGABEL - KRAFTÜBERTRAGUNG		Tavola - Drawing Table - Bild		11
NOTE NOTES NOTES MARKE	POS. N.	N. COD. CODE No. No. CODE CODE Nr.	Q.ta Q.ty Q.té M.ge	DENOMINAZIONE	DESCRIPTION	DESIGNATION	BEZEICHNUNG	
	38	98 05 44 25	8	Vite	Screw	Vis	Schraube	
	39	61 27 03 00	8	Rosetta	Washer	Rondelle	Scheibe	
	40	95 18 70 08	8	Piastrina di sicurezza	Lock plate	Plaquette d'arrêt	Sicherungsblech	
	41	17 35 04 00	1	Flangia per scatola	Flange	Flasque	Flansch	
	42	17 35 07 00	2	Guarnizione	Gasket	Joint	Dichtung	
	43	17 35 54 00	1	Spessore di regolazione mm 0,8	Shim mm 0.8	Cale d'épaisseur mm 0,8	Ausgleichscheibe mm 0,8	
	43	17 35 54 02	1	Spessore di regolazione mm 0,9	Shim mm 0.9	Cale d'épaisseur mm 0,9	Ausgleichscheibe mm 0,9	
	43	17 35 54 04	1	Spessore di regolazione mm 1	Shim mm 1	Cale d'épaisseur mm 1	Ausgleichscheibe mm 1	
	43	17 35 54 06	1	Spessore di regolazione mm 1,1	Shim mm 1.1	Cale d'épaisseur mm 1,1	Ausgleichscheibe mm 1,1	
	43	17 35 54 08	1	Spessore di regolazione mm 1,2	Shim mm 1.2	Cale d'épaisseur mm 1,2	Ausgleichscheibe mm 1,2	
	43	17 35 54 10	1	Spessore di regolazione mm 1,3	Shim mm 1.3	Cale d'épaisseur mm 1,3	Ausgleichscheibe mm 1,3	
	43	17 35 54 12	1	Spessore di regolazione mm 1,5	Shim mm 1.5	Cale d'épaisseur mm 1,5	Ausgleichscheibe mm 1,5	
	44	92 20 10 70	1	Cuscinetto a sfere	Ball bearing	Roulement à billes	Kugellager	
	45	90 40 70 85	1	Anello di tenuta	Seal ring	Bague d'étanchéité	Dichtring	
	46	17 35 14 00	1	Perno forato	Drive flange	Bride de traction	Mitnehmerflansch	
	47	17 35 46 50	1	Coppia conica 7/33	Bevel gear 7/33	Couple conique 7/33	Teillerradsatz 7/33	
	48	12 35 63 00	8	Vite	Screw	Vis	Schraube	
	49	12 35 64 00	4	Piastrina di sicurezza	Lock plate	Plaquette d'arrêt	Sicherungsblech	
	50	93 18 01 05	2	Gommino per dado cieco	Plug	Bouchon	Stopfen	
	51	29 54 18 01	1	Perno inferiore	Pin	Gujon	Stift	



PEDALE CAMBIO E FRENO TRANSMISSION PEDAL AND BRAKE		PEDALE BOITE A VITESSES ET FREIN SCHALTGETRIEBEPEDAL UND BREMSE					Tavola - Drawing Table - Bild	12
NOTE NOTES NOTES MARKE	POS. N.	N. COD. CODE No. No. CODE CODE Nr.	Q.tà Q.ty Q.té M.ge	DENOMINAZIONE	DESCRIPTION	DESIGNATION	BEZEICHNUNG	
	1	18 67 59 50	1	Lava comando freni	Brake lever	Levier comm. frein	Bremshebel	
	2	18 25 20 50	1	Boccola	Bush	Douille	Buchse	
	3	43 26 21 80	1	Pedalino per leva ped.	Rubber protection	Couvre pédale	Gummistütze	
	4	18 67 83 50	1	Perno	Pin	Pivot	Shift	
	5	95 02 11 06	1	Ranella	Washer	Rondelle	Scheibe	
	6	92 60 22 06	1	Dado	Nut	Ecrou	Mutter	
	7	13 43 26 40	1	Pedalino gomma	Rubber pedal	Pédale en caoutchouc	Gummipedal	
	8	18 25 91 51	1	Ranella	Washer	Rondelle	Scheibe	
	9	95 02 11 08	1	Ranella elast. dentellata	Tooth washer	Rondelle dentée	Zahnscheibe	
	10	98 05 44 16	1	Vite fiss. leva	Screw	Vis	Schraube	
	11	18 67 50 52	1	Tirante completo	Shift fork, compl.	Tige de commande compl.	Schaltstange, kpl.	
	12	18 67 51 52	1	Tirante	Shift rod,	Tige de commande	Schaltstange	
	13	92 69 00 73	1	Dado	Nut	Ecrou	Mutter	
	14	95 74 01 75	1	Forcellino	Shift fork	Fourchette	Schaltgabel	
	15	95 77 02 65	1	Spina	Pin	Goupille	Shift	
	16	95 12 91 10	1	Ranella antivibrante	Washer	Rondelle	Scheibe	
	17	95 50 02 22	2	Copiglia	Cotter pin	Goupille	Splint	
	18	95 10 01 73	1	Ranella	Washer	Rondelle	Scheibe	
	19	95 12 91 30	1	Ranella antivibrante	Washer	Rondelle	Scheibe	
	20	98 05 23 25	1	Vite	Screw	Vis	Schraube	
	21	95 02 11 06	1	Rosetta dentellata	Tooth washer	Rondelle dentée	Zahnscheibe	
	22	18 25 82 01	1	Leva com. settore	Shift finger	Doigt de sélection	Schaltfinger	
	23	95 50 02 22	1	Copiglia	Cotter pin	Goupille	Split	
	24	61 01 38 00	1	Rosetta	Washer	Rondelle	Scheibe	
	25	95 77 02 65	1	Spina	Pin	Goupille	Stift	
	26	12 62 68 00	1	Forcellino	Shift fork	Fourchette	Schaltgabel	
	27	92 60 22 06	1	Dado	Nut	Ecrou	Mutter	
	28	18 25 78 01	1	Tirante completo	Shift rod, compl.	Tirant de comm. compl.	Schaltstange, kpl.	
	29	18 25 81 01	1	Snodo sferico tirante	Gearshift lever ball	Rotule du levier B.V.	Schalthebelgriff	
	30	92 63 01 06	1	Dado	Nut	Ecrou	Mutter	
	31	95 12 91 10	1	Rosetta antivibrante	Washer	Rondelle	Scheibe	
	32	18 25 69 50	1	Leva rinvio cambio	Lever	Levier	Hebel	
	33	17 25 20 50	1	Boccola	Bush	Douille	Buchse	
	34	17 25 23 50	1	Vite	Screw	Vis	Schraube	
	35	94 32 22 15	1	Molla	Spring	Ressort	Feder	
	36	95 10 04 09	2	Ranella	Washer	Rondelle	Scheibe	
	37	92 60 25 12	1	Dado	Nut	Ecrou	Mutter	
	38	18 25 76 51	1	Tirante comando cambio	Shift rod	Tirant de commande	Schaltstange	
	39	18 25 75 51	1	Blocchetto regolabile	Adjusting block	Bloc de réglage	Einstellblock	
	40	92 69 00 73	1	Dado	Nut	Ecrou	Mutter	



C4

PEDALE CAMBIO E FRENO TRANSMISSION PEDAL AND BRAKE		PEDALE BOITE A VITESSES ET FREIN SCHALTGETRIEBEPEDAL UND BREMSE					Tavola - Drawing Table - Bild	12
NOTE NOTES NOTES MARKE	POS. N.	N. COD. CODE No. No. CODE CODE Nr.	Q.tà Q.ty Q.té M.ge	DENOMINAZIONE	DESCRIPTION	DESIGNATION	BEZEICHNUNG	
	41	90 27 10 08	2	Anello seeger	Seeger ring	Forc d'arret	Seegerring	
	42	17 25 08 40	1	Leva com. cambio e boccola	Shift lever and bush	Levier comm. B.V. et douille	Schalthebel und Buchse	
	43	18 25 20 50	1	Boccola	Bush	Douille	Buchse	
	44	13 43 26 40	2	Pedalino gomma per leva	Rubber pedal for lever	Pédale en caoutchouc pour levier	Gummipedal für Hebel	
	45	18 25 91 51	1	Ranella	Washer	Rondelle	Scheibe	
	46	95 02 11 08	1	Ranella elastica dentellata	Tooth washer	Rondelle dentée	Zahnscheibe	
	47	98 05 44 16	1	Vite	Screw	Vis	Schraube	

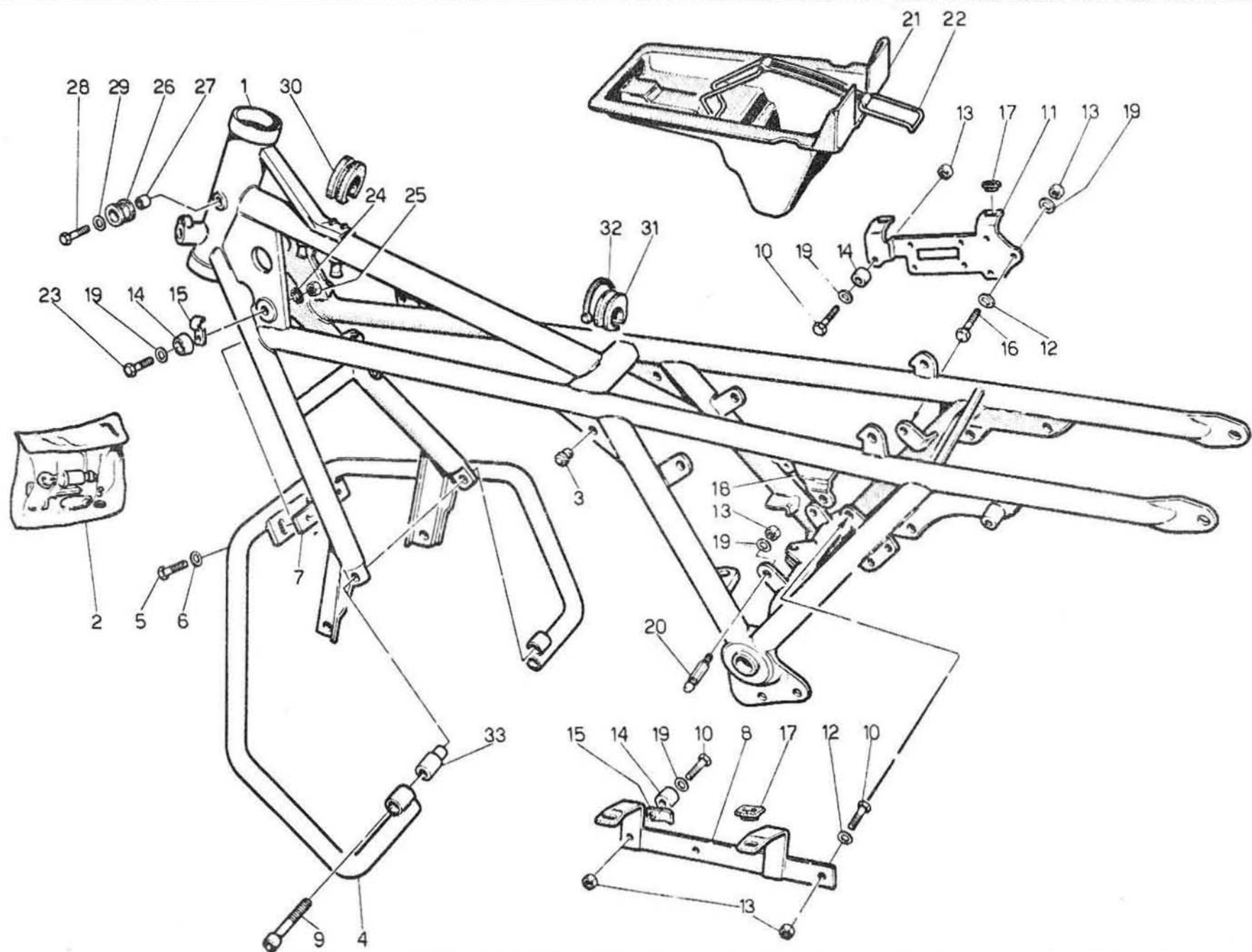
C5

TELAIO
FRAME

CHASSIS
RAHMEN

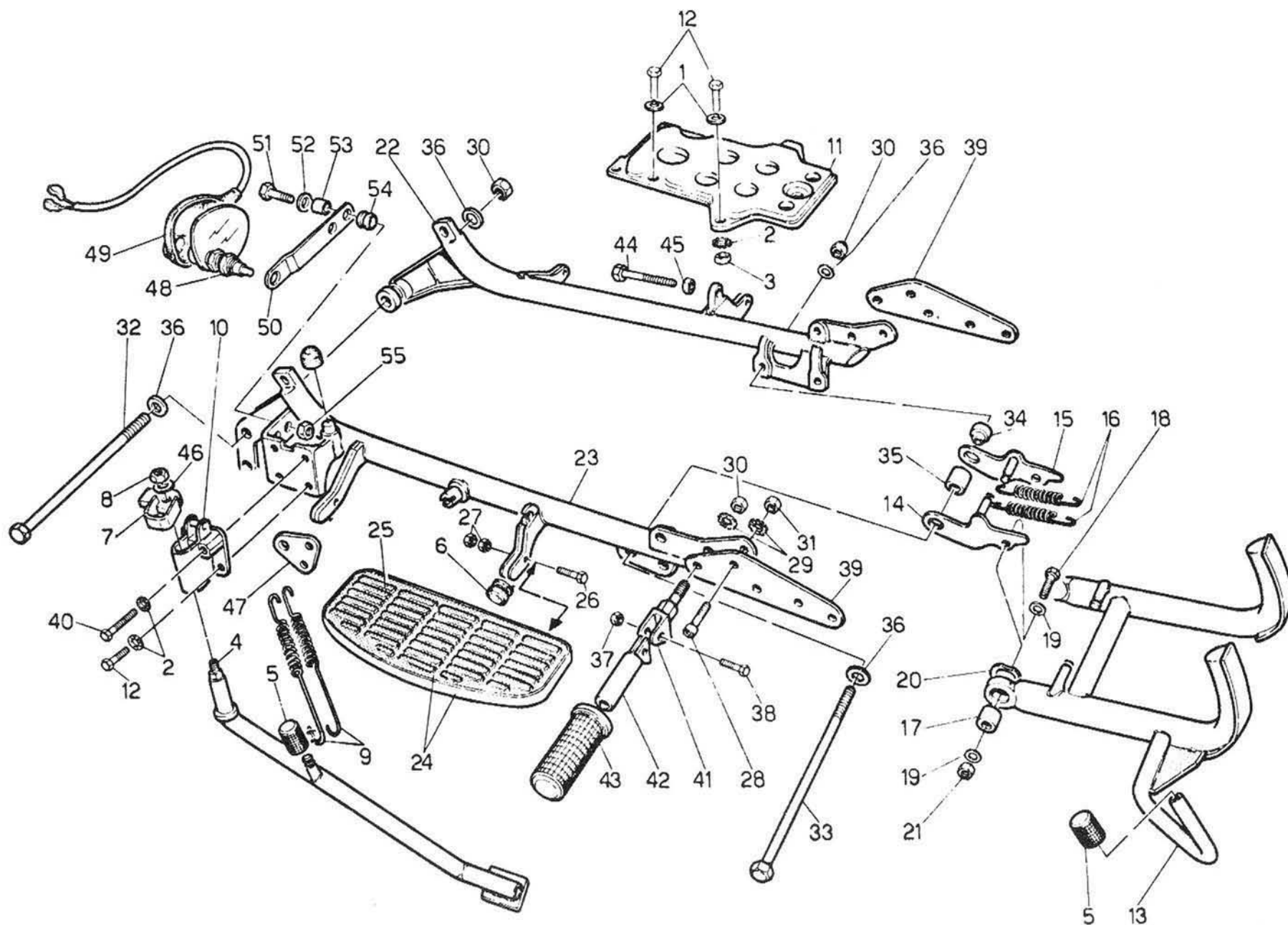
Tavola - Drawing
Table - Bild

13



C6

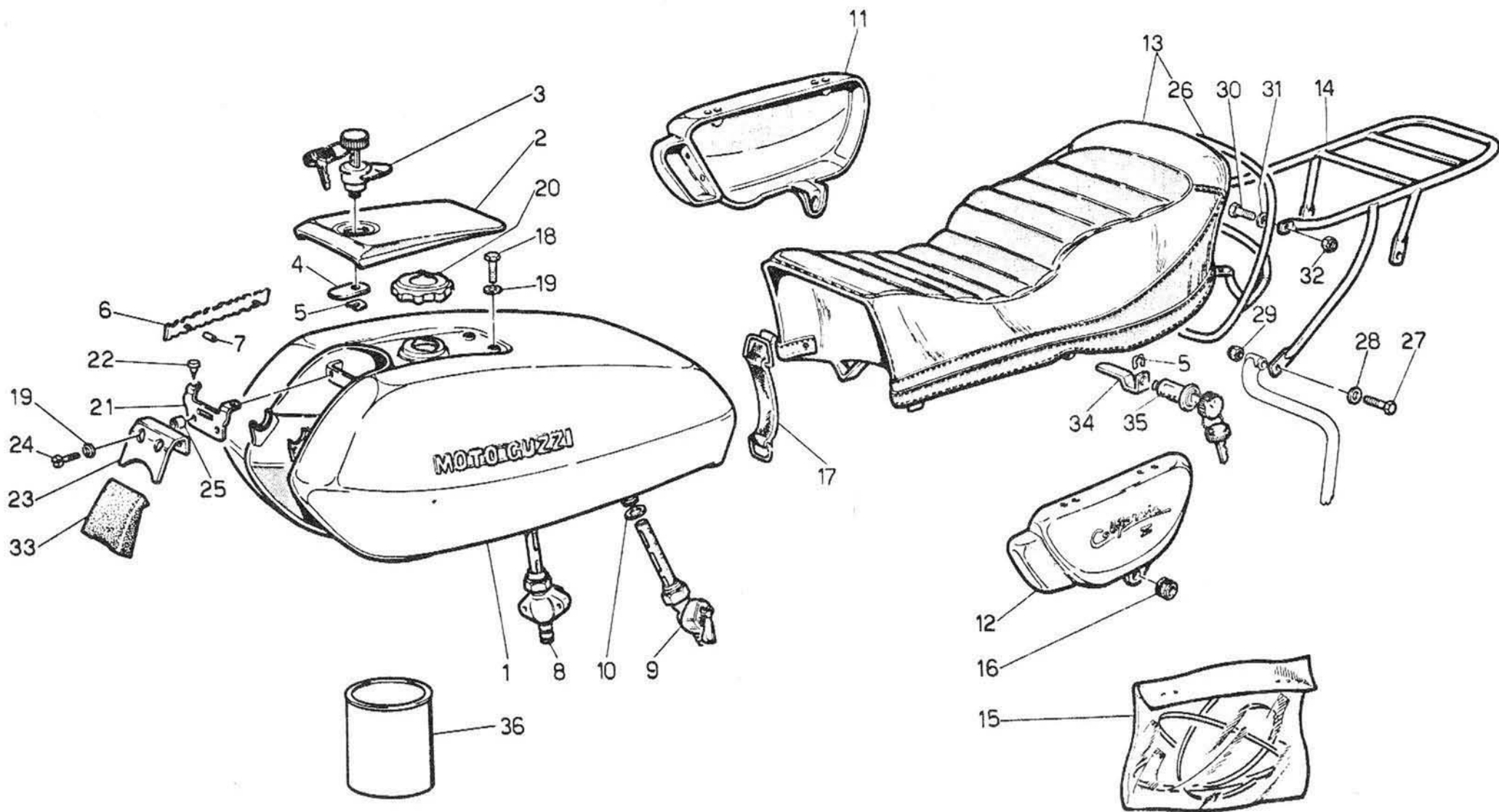
TELAIO FRAME		CHASSIS RAHMEN					Tavola - Drawing Table - Bild	13
NOTE NOTES MARKE	POS. N.	N. COD. CODE No. No. CODE CODE Nr.	Q.tà Q.ty Q.té M.ge	DENOMINAZIONE	DESCRIPTION	DESIGNATION	BEZEICHNUNG	
	1	29 40 01 01	1	Telaio	Frame	Châssis	Rahmen	
	2	28 78 25 50	1	Antifurto completo	Steering lock, compl.	Serrure de direction compl.	Lenkschloss, kpl.	
	3	93 18 00 80	4	Tappo	Plug	Bouchon	Stopfen	
	4	29 45 02 00	1	Gruppo paraurti completo	Bumper group, compl.	Groupe pare-choc compl.	Lenkschloss, kpl.	
	5	98 05 44 20	2	Vite sup. fiss. paraurti	Screw	Vis	Schraube	
	6	95 00 42 08	4	Rosetta piana	Washer	Rondelle	Scheibe	
	7	17 45 17 50	1	Piastrina filettata	Threaded plate	Plaquette filetée	Gewindeplatte	
	8	17 42 40 50	1	Piastra sx. portacoperchio	L.H. plate	Plaque G	Platte L.	
	9	98 62 16 70	2	Vite	Screw	Vis	Schraube	
	10	98 05 43 20	2	Vite	Screw	Vis	Schraube	
	11	17 42 48 50	1	Piastra destra	R.H. plate	Plaque D	Platte R.	
	12	95 10 01 21	4	Rosetta interna	Washer	Rondelle	Scheibe	
	13	92 63 01 06	7	Dado autobloccante	Self-locking nut	Ecrou d'autoblocage	Hutmutter	
	14	14 10 38 00	4	Tampone	Rubber ring	Disque en caoutchouc	Gummiring	
	15	93 30 13 13	3	Cavallotto passacavo	U-bolt	Etrier	U-Bolzen	
	16	98 05 43 14	2	Vite posteriore	Rear screw	Vis AR	Hint Schraube	
	17	39 46 16 00	4	Gommino	Rubber	Caoutchoc	Gummistück	
	18	17 70 99 50	1	Piastrina per teleruttore	Plate	Plaque	Platte	
	19	95 00 02 06	9	Rosetta piana	Washer	Rondelle	Scheibe	
	20	17 47 85 50	2	Colonna	Pin	Goujon	Shift	
	21	29 47 96 00	1	Contenitore attrezzi	Tool box	Trousse à outils	Werkzeugkasten	
	22	29 47 97 00	1	Staffa	Bracket	Etrier	Stütze	
	23	98 05 43 20	2	Vite	Screw	Vis	Schraube	
	24	95 02 11 06	6	Rosetta elastica dentellata	Tooth washer	Rondelle dentée	Zahnscheibe	
	25	92 60 22 06	4	Dado	Nut	Ecrou	Mutter	
	26	14 10 34 00	2	Boccola	Bush	Douille	Buchse	
	27	91 18 08 10	2	Distanziale	Spacer	Entretoise	Distanzstück	
	28	98 05 44 25	2	Vite	Screw	Vis	Schraube	
	29	95 10 02 55	2	Rosetta piana	Washer	Rondelle	Scheibe	
	30	14 10 71 00	1	Tampone centrale	Rubber buffer	Tampon en caoutchouc	Gummibuffer	
	31	14 10 90 00	2	Tampone laterale	Rubber buffer	Tampon en caoutchouc	Gummibuffer	
	32	14 60 96 50	4	Fascetta	Clamp	Collier	Schelle	
	33	91 18 13 20	2	Distanziale inferiore	Lower spacer	Entretoise inférieur	Unterdistanzstück	



CULLA TELAIO - PEDANE - CAVALLETTO FRAME - FOOT REST AND STAND		CHASSIS - REPOSE PIEDS ET BEQUILLE RAHMEN - FUSSRASTE UND STÄNDER					Tavola - Drawing Table - Bild	14
NOTE NOTES MARKE	POS. N.	N. COD. CODE No. No. CODE CODE Nr.	Q.tà Q.ty Q.té M.ge	DENOMINAZIONE	DESCRIPTION	DESIGNATION	BEZEICHNUNG	
	1	95 00 42 08	7	Rosetta piana	Washer	Rondelle	Scheibe	
	2	95 02 11 08	9	Rosetta dentellata	Tooth washer	Rondelle dentée	Zahnscheibe	
	3	92 60 22 08	11	Dado	Nut	Ecrou	Mutter	
	4	29 43 20 00	1	Braccio laterale	Side stand	Bequille lateral	Seitenständer	
	5	13 43 26 40	3	Pedalino in gomma	Rubber pedal	Pédale en caoutchouc	Gummipedal	
	6	12 43 30 00	1	Tampone	Rubber buffer	Tampon en caoutchouc	Gummipuffer	
	7	29 43 28 00	1	Orecchia ferma braccio	Bracket	Etrier	Stütze	
	8	92 60 22 10	1	Dado	Nut	Ecrou	Mutter	
	9	14 43 40 00	2	Molla	Spring	Ressort	Feder	
	10	13 43 34 40	1	Blocchetto sostegno	Support block	Bloc de support	Tragblock	
	11	14 41 82 00	1	Piastra porta batteria	Battery plate	Plaque de batterie	Platte für Batterie	
	12	98 05 44 16	10	Vite	Screw	Vis	Schraube	
	13	29 43 03 00	1	Cavalletto	Stand	Bequille	Ständer	
	14	14 43 32 00	1	Piastra sinistra	L.H. plate	Plaque G	Platte L.	
	15	14 43 29 00	1	Piastra destra	R.H. plate	Plaque D	Platte R.	
	16	18 43 40 60	2	Molla	Spring	Ressort	Feder	
	17	14 43 35 00	2	Boccola	Bush	Douille	Buchse	
	18	98 05 25 45	2	Vite	Screw	Vis	Schraube	
	19	95 00 42 10	2	Rosetta piana	Washer	Rondelle	Scheibe	
	20	14 43 34 00	2	Rosetta elastica	Spring washer	Rondelle élastique	Federscheibe	
	21	92 63 01 10	2	Dado	Nut	Ecrou	Mutter	
	22	18 42 03 50	1	Braccio destro	R.H. arm	Bras D	Arm, R.	
	23	18 42 21 50	1	Braccio sinistro	L.H. arm	Bras G	Arm, L.	
	24	29 44 34 00	2	Pedana appoggiapiedi completa di tappetino	Foot rest with rubber mat	Repose-pieds avec garniture en caoutchouc	Fussraste mit Gummiteppich	
	25	18 44 70 50	2	Tappetino per pedana	Rubber mat	Garniture en caoutchouc	Gummiteppich	
	26	98 10 70 35	4	Vite	Screw	Vis	Schraube	
	27	92 70 00 73	8	Dado	Nut	Ecrou	Mutter	
	28	98 62 36 30	2	Vite	Screw	Vis	Schraube	
	29	95 02 11 12	4	Rosetta elastica dentellata	Spring washer	Rondelle élastique	Federscheibe	
	30	92 60 23 12	8	Dado	Nut	Ecrou	Mutter	
	31	92 60 25 12	1	Dado	Nut	Ecrou	Mutter	
	32	14 42 95 00	1	Tirante anteriore	Front bolt	Bouchon AV	Vorne Bolzen	
	33	14 42 96 00	1	Tirante posteriore	Rear bolt	Bouchon AR	Hint. Bolzen	
	34	14 42 99 00	2	Distanziale	Spacer	Entretoise	Distanzstück	
	35	14 42 98 00	2	Distanziale	Spacer	Entretoise	Distanzstück	
	36	95 00 02 13	4	Rosetta	Washer	Rondelle	Scheibe	
	37	92 60 22 06	2	Dado	Nut	Ecrou	Mutter	
	38	98 05 23 25	4	Vite	Screw	Vis	Schraube	
	39	18 42 39 50	2	Piastra fiss. paraurti	Plate	Plaque	Platte	
	40	98 05 24 40	1	Vite superiore e fissaggio blocc.	Screw	Vis	Schraube	

C10

CULLA TELAIO - PEDANE - CAVALLETTO FRAME - FOOT REST AND STAND		CHASSIS - REPOSE PIEDS ET BEQUILLE RAHMEN - FUSSRASTE UND STÄNDER					Tavola - Drawing Table - Bild	14
NOTE NOTES NOTES MARKE	POS. N.	N. COD. CODE No. No. CODE CODE Nr.	Q.tà Q.ty Q.té M.ge	DENOMINAZIONE	DESCRIPTION	DESIGNATION	BEZEICHNUNG	
	41	18 44 54 50	2	Supporto pedale appogg. passegg.	Holder	Support	Halter	
	42	14 44 13 50	2	Pedalino appogg. passeggero	Passenger pedal	Pédale pour passager	Fahrgastpedal	
	43	14 44 32 00	2	Pedalino in gomma	Rubber pedal	Pédale en caoutchouc	Gummipedal	
	44	98 06 43 45	1	Vite registro leva freno	Adjusting screw	Vis de réglage	Einstellschraube	
	45	92 60 32 06	1	Dado per vite registro	Nut	Ecrou	Mutter	
	46	95 00 42 10	1	Ranella	Washer	Rondelle	Scheibe	
	47	18 43 27 60	1	Piastrina attacco molla	Plate	Plaquette	Plättchen	
	48	29 75 54 00	1	Dispositivo inser. bobine	Coil device	Dispositif de bobines	Spülevorrichtung	
	49	18 75 96 50	1	Cappuccio	Cap	Capuchon	Kappe	
	50	18 75 93 51	1	Supporto dispositivo	Support	Support	Halter	
	51	98 05 43 20	2	Vite	Screw	Vis	Schraube	
	52	95 10 01 39	2	Rondella	Washer	Rondelle	Scheibe	
	53	91 18 06 07	2	Distanziale	Spacer	Entretoise	Distanzstück	
	54	91 55 10 85	2	Gommino	Rubber	Caoutchouc	Gummistück	
	55	92 60 22 06	2	Dado	Nut	Ecrou	Mutter	



CARROZZERIA BODY		CARROSSERIE KAROSSERIE					Tavola - Drawing Table - Bild	15
NOTE NOTES NOTES MARKE	POS. N.	N. COD. CODE No. No. CODE CODE Nr.	Q.tà Q.ty Q.te M.ge	DENOMINAZIONE	DESCRIPTION	DESIGNATION	BEZEICHNUNG	
	1	29 10 02 01	1	Serbatoio (nero "Lotus")	Fuel tank ("Lotus" black)	Réservoir (noir "Lotus")	Kraftstoffbehälter ("Lotus" schwarz)	
	1	29 10 02 02	1	Serbatoio (rosso "Madeira")	Fuel tank ("Madeira" red)	Réservoir (rouge "Madeira")	Kraftstoffbehälter ("Madeira" rot)	
	1	29 10 02 03	1	Serbatoio (bianco latte)	Fuel tank (milk - white)	Réservoir (blanc de lait)	Kraftstoffbehälter (Milch - weiss)	
	2	29 10 40 01	1	Coperchio tappo serbatoio (nero "Lotus")	Cover ("Lotus" black)	Couvercle (noir "Lotus")	Deckel ("Lotus" schwarz)	
	2	18 10 40 00	1	Coperchio tappo serbatoio (rosso "Madeira")	Cover ("Madeira" red)	Couvercle (rouge "Madeira")	Deckel ("Madeira" rot)	
	2	29 10 40 03	1	Coperchio tappo serbatoio (bianco latte)	Cover (milk - white)	Couvercle (blanc de lait)	Deckel (Milch - weiss)	
	3	14 10 44 55	1	Serratura per tappo	Lock	Serrure	Schloss	
	4	18 10 50 01	1	Chiavistello	Latch	Verrou	Drücker	
	5	19 10 49 50	2	Fascetta	Clamp	Collier	Schelle	
	6	14 91 73 00	2	Marchio in rilievo	Emblem	Emblème	Typenembleme	
	7	14 10 51 00	8	Fermaglio	Fastener clip	Agrafe	Klammer	
	8	17 10 54 60	1	Rubinetto destro	R.H. fuel jet cock	Robinet D	Kraftstoffhahn, R.	
	9	17 10 54 61	1	Rubinetto sinistro	L.H. fuel jet cock	Robinet G	Kraftstoffhahn, L.	
	10	90 71 41 03	2	Guarnizione	Gasket	Joint	Dichtung	
	11	29 47 62 01	1	Coperchio copriaccumulatore destro (nero "Lotus")	R.H. cover, battery ("Lotus" black)	Couvercle batterie D (noir "Lotus")	Batteriedeckel, R. ("Lotus" schwarz)	
	11	29 47 62 02	1	Coperchio copriaccumulatore destro (rosso "Madeira")	R.H. cover, battery ("Madeira" red)	Couvercle batterie D (rouge "Madeira")	Batteriedeckel, R. ("Madeira" rot)	
	11	29 47 62 03	1	Coperchio copriaccumulatore destro (bianco latte)	R.H. cover, battery (milk - white)	Couvercle batterie D (blanc de lait)	Batteriedeckel, R. (Milch - weiss)	
	12	29 47 63 01	1	Coperchio copriaccumulatore sinistro (nero "Lotus")	L.H. cover, battery ("Lotus" black)	Couvercle batterie G (noir "Lotus")	Batteriedeckel, L. ("Lotus" schwarz)	
	12	29 47 63 02	1	Coperchio copriaccumulatore sinistro (rosso "Madeira")	L.H. cover, battery ("Madeira" red)	Couvercle batterie G (rouge "Madeira")	Batteriedeckel, L. ("Madeira" rot)	
	12	29 47 63 03	1	Coperchio copriaccumulatore sinistro (bianco latte)	L.H. cover, battery (milk - white)	Couvercle batterie G (blanc de lait)	Batteriedeckel, L. (Milch - weiss)	
	13	29 46 05 00	1	Sella completa di maniglione	Seat with handgrif	Siège avec poignée	Sattel mit Hubhandgriff	
	14	29 46 65 00	1	Portapacchi	Parcel grid	Porte-bagages	Gepäckhalter	
	15	29 92 33 00	1	Gruppo decalcomanie	Decal set	Jeu de décalcomanies	Abziehbild Rep. Satz	
	16	91 55 10 82	2	Gommino antivibrante	Rubber	Caoutchouc	Gummistück	
	17	14 10 26 00	1	Tirante ancoraggio serbatoio	Rod	Tige	Stange	
	18	98 05 42 10	2	Vite fissaggio coperchio serbatoio	Screw	Vis	Schraube	
	19	95 12 91 00	4	Rosetta elastica bombata	Spring washer	Rondelle élastique	Federscheibe	
	20	14 10 39 55	1	Tappo serbatoio	Fuel cap	Bouchon de réservoir	Behälterverschluss	

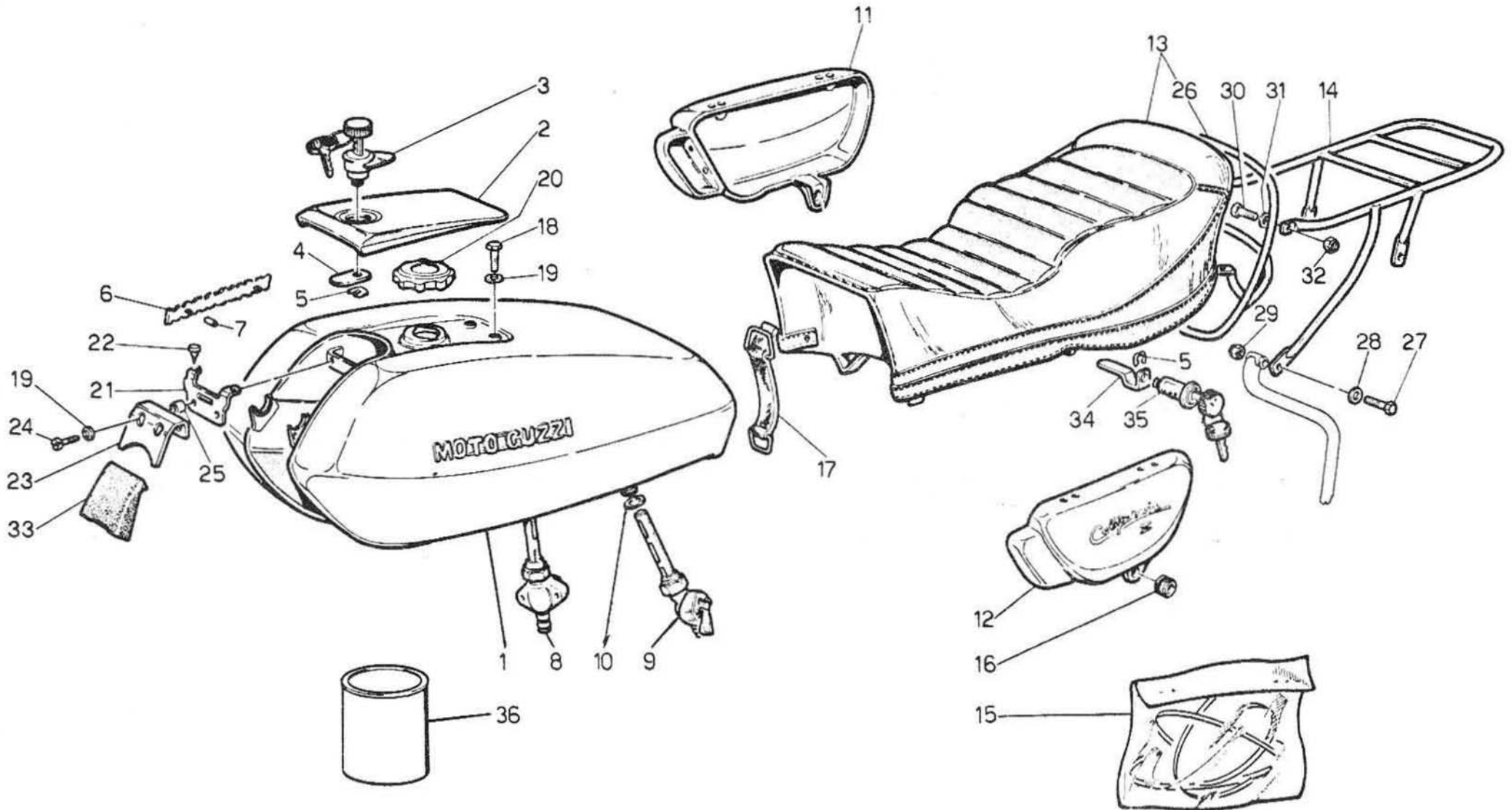
C13

CARROZZERIA
BODY

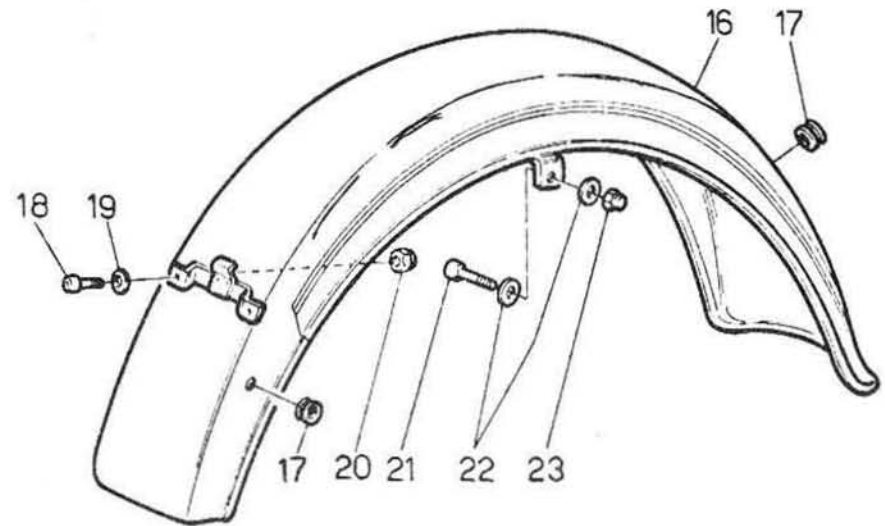
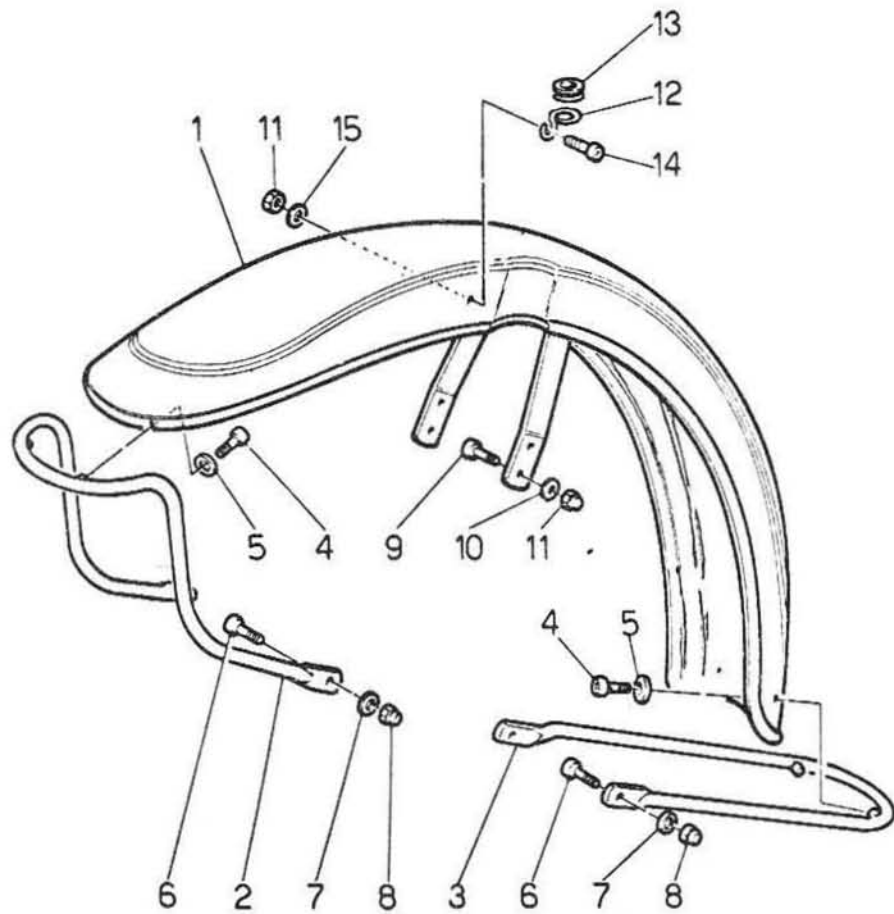
CARROSSERIE
KAROSSERIE

Tavola - Drawing
Table - Bild

15



CARROZZERIA BODY		CARROSSERIE KAROSSERIE					Tavola - Drawing Table - Bild	15
NOTE NOTES NOTES MARKE	POS. N.	N. COD. CODE No. No. CODE CODE Nr	Q.tà Q.ty Q.té M.ge	DENOMINAZIONE	DESCRIPTION	DESIGNATION	BEZEICHNUNG	
	21	29 10 22 00	1	Squadretta chiusura coperchio (nero "Lotus")	Bracket ("Lotus" black)	Etrier (noir "Lotus")	Stütze ("Lotus" schwarz)	
	21	17 10 22 42	1	Squadretta chiusura coperchio (rosso "Madeira")	Bracket ("Madeira" red)	Etrier (rouge "Madeira")	Stütze ("Madeira" rot)	
	21	29 10 22 01	1	Squadretta chiusura coperchio (bianco latte)	Bracket (milk - white)	Etrier (blanc de lait)	Stütze (Milch - weiss)	
	22	93 18 07 06	2	Gommino per coperchietto	Rubber	Caoutchouc	Gummistück	
	23	29 10 12 00	1	Piastra chiusura tunnel (nero "Lotus")	Plate ("Lotus" black)	Plaque (noir "Lotus")	Platte ("Lotus" schwarz)	
	23	17 10 12 42	1	Piastra chiusura tunnel (rosso "Madeira")	Plate ("Madeira" red)	Plaque (rouge "Madeira")	Platte ("Madeira" rot)	
	23	29 10 12 01	1	Piastra chiusura tunnel (bianco latte)	Plate (milk - white)	Plaque (blanc de lait)	Platte (Milch - weiss)	
	24	98 20 25 25	2	Vite fissaggio piastra	Screw	Vis	Schraube	
	25	91 18 06 08	2	Distanziatore	Spacer	Entretoise	Distanzstück	
	26	29 46 43 00	1	Maniglione	Hand-grip	Poignée	Handgriff	
	27	98 82 24 25	2	Vite superiore fissaggio paraurti	Screw	Vis	Schraube	
	28	95 02 11 08	4	Ranella elastica dentellata	Spring washer	Rondelle elastique	Federscheibe	
	29	92 60 22 08	4	Dado fissaggio paraurti	Nut	Ecrou	Mutter	
	30	98 05 44 22	2	Vite fissaggio sella	Screw	Vis	Schraube	
	31	61 27 03 00	2	Ranella	Washer	Rondelle	Scheibe	
	32	92 63 01 08	2	Dado autobloccante	Self-locking nut	Ecrou à autoblocage	Hutmutter	
	33	29 57 59 00	1	Mascherina prot. sterzo serbatoio	Protection	Protection	Stütze	
	34	29 46 30 00	1	Chiavistello	Latch	Verrou	Drucker	
	35	19 10 51 50	1	Blocchetto	Block	Bloc	Block	
	36	897 393 533	—	1 kg vernice (nero "Lotus")	1 kg paint ("Lotus" black)	Kg 1 peinture (noir "Lotus")	1 kg Farbe ("Lotus" schwarz)	
	36	897 392 146	—	1 kg vernice (rosso "Madeira")	1 kg paint ("Madeira" red)	Kg 1 peinture (rouge "Madeira")	1 kg Farbe ("Madeira" rot)	
	36	897 392 410	—	1 kg vernice (bianco latte)	1 kg paint (milk - white)	Kg 1 peinture (blanc de lait)	1 kg Farbe (Milch weiss)	



PARAFANGO ANTERIORE E POSTERIORE FRONT AND REAR FENDER		AILE AV ET AR VORD. UND HINT. KOTFLÜGEL					Tavola - Drawing Table - Bild	16
NOTE NOTES NOTES MARKE	POS. N.	N. COD. CODE No. No. CODE CODE Nr.	Q.tà Q.ty Q.té M.ge	DENOMINAZIONE	DESCRIPTION	DESIGNATION	BEZEICHNUNG	
	1	29 43 43 01	1	Parafango anteriore (nero "Lotus")	Front fender ("Lotus" black)	Aile AV (noir "Lotus")	Vord. Kotflügel ("Lotus" schwarz)	
	1	29 43 43 02	1	Parafango anteriore (rosso "Madeira")	Front fender ("Madeira" red)	Aile AV (rouge "Madeira")	Vord. Kotflügel ("Madeira" rot)	
	1	29 43 43 03	1	Parafango anteriore (bianco latte)	Front fender (milk - white)	Aile AV (blanc de lait)	Vord. Kotflügel (Milch - weiss)	
	2	29 43 57 00	1	Bacchetta superiore	Upper rod	Tirant supérieur	Oberstange	
	3	29 43 59 00	1	Bacchetta inferiore	Lower rod	Tirant inférieur	Unterstange	
	4	98 82 23 14	4	Vite	Screw	Vis	Schraube	
	5	95 10 01 21	4	Rosetta piana	Washer	Rondelle	Scheibe	
	6	98 82 24 25	4	Vite	Screw	Vis	Schraube	
	7	61 27 03 00	4	Rosetta	Washer	Rondelle	Scheibe	
	8	92 78 10 81	4	Dado autobloccante	Self-locking nut	Ecrou a autoblocage	Hutmutter	
	9	98 82 23 18	4	Vite	Screw	Vis	Schraube	
	10	61 01 38 00	4	Rosetta	Washer	Rondelle	Scheibe	
	11	92 78 10 62	6	Dado autobloccante	Self-locking nut	Ecrou a autoblocage	Hutmutter	
	12	55 43 65 25	2	Occhiello	Ring	Bague	Ring	
	13	91 55 11 31	2	Gommino	Rubber	Caoutchouc	Gummistück	
	14	98 82 23 10	2	Vite	Screw	Vis	Schraube	
	15	95 02 11 06	2	Rosetta	Washer	Rondelle	Scheibe	
	16	29 43 70 02	1	Parafango posteriore (nero "Lotus")	Rear fender ("Lotus" black)	Aile AR (noir "Lotus")	Hint. Kotflügel ("Lotus" schwarz)	
	16	29 43 70 03	1	Parafango posteriore (rosso "Madeira")	Rear fender ("Madeira" red)	Aile AR (rouge "Madeira")	Hint. Kotflügel ("Madeira" rot)	
	16	29 43 70 04	1	Parafango posteriore (bianco latte)	Rear fender (milk - white)	Aile AR (blanc de lait)	Hint. Kotflügel (Milch - weiss)	
	17	91 55 11 02	2	Anello passacavi	Ring	Bague	Ring	
	18	98 62 04 45	2	Vite fissaggio parafango	Screw	Vis	Schraube	
	19	95 00 42 08	2	Rondella	Washer	Rondelle	Scheibe	
	20	92 78 10 81	2	Dado cieco	Nut	Ecrou	Mutter	
	21	98 82 24 25	2	Vite superiore fissaggio paraurti	Screw	Vis	Schraube	
	22	95 02 11 02	4	Ranella elastica dentellata	Spring washer	Rondelle elastique	Federscheibe	
	23	92 60 22 08	2	Dado fissaggio paraurti	Nut	Ecrou	Mutter	

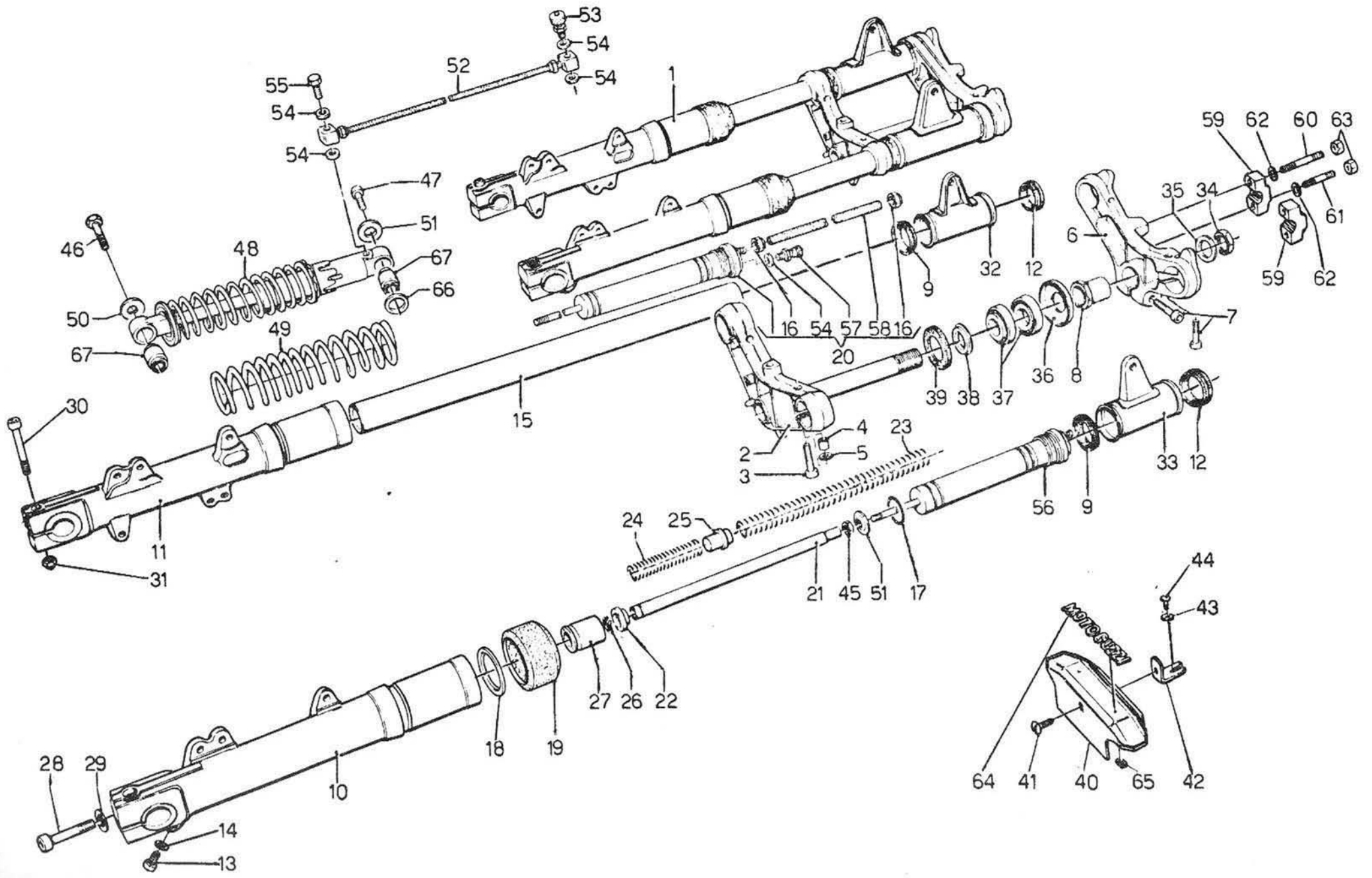
D1

SOSPENSIONI ANTERIORE E POSTERIORE
FRONT AND REAR SUSPENSIONS

SUSPENSIONS AV ET AT
VORD. HINTERRADAUFHÄNGUNG

Tavola - Drawing
Table - Bild

17



SOSPENSIONI ANTERIORE E POSTERIORE FRONT AND REAR SUSPENSIONS		SUSPENSIONS AV ET AR VORD. - HINTERRADAUFHÄNGUNG					Tavola - Drawing Table - Bild	17
NOTE NOTES NOTES MARKE	POS. N.	N. COD. CODE No. No. CODE CODE Nr.	Q.ta Q.ty Q.te M.ge	DENOMINAZIONE	DESCRIPTION	DESIGNATION	BEZEICHNUNG	
	1	29 49 02 00	1	Forcella anteriore completa	Front fork, complete	Fourche AV, complète	Vord. Gabel, kpl.	
	2	63 49 40 21	1	Base forcella	Fork yoke	Chape de fourche	Gabeluntersatz	
	3	98 62 05 60	2	Vite fissaggio base	Screw	Vis	Schraube	
	4	91 18 11 10	2	Distanziale per vite	Spacer	Entretoise	Distanzstück	
	5	95 00 42 10	2	Ranella	Washer	Rondelle	Unterlegscheibe	
	6	17 49 31 60	1	Testa forcella	Fork head	Tête de fourche	Gabelkopf	
	7	98 62 05 40	3	Vite fissaggio testa	Screw	Vis	Schraube	
	8	18 51 66 60	1	Bussola bloccasterzo	Bush	Douille	Buchse	
	9	63 49 27 00	2	Anello inferiore per foderi	Lower ring	Bague inferieure	Unterring	
	10	17 52 26 20	1	Gambale sinistro	L.H. sleeve	Chemise G	Laufbüchse, L.	
	11	17 52 25 20	1	Gambale destro	R.H. sleeve	Chemise D	Laufbüchse, R.	
	12	17 49 27 00	2	Anello superiore per foderi	Upper ring	Bague superieure	Oberring	
	13	98 62 03 12	2	Vite scarico olio	Screw	Vis	Schraube	
	14	95 10 01 16	2	Ranella	Washer	Rondelle	Unterlegscheibe	
	15	63 52 54 00	2	Braccio forcella	Fork arm	Bras pour fourche	Gabelarm	
	16	14 93 64 00	2	Dado speciale	Nut	Ecrou	Mutter	
	17	90 70 62 38	2	Guarnizione tappo	Gasket	Joint	Dichtung	
	18	90 40 35 46	2	Anello di tenuta	Seal ring	Bague d'étanchéité	Dichtring	
	19	14 52 45 00	2	Custodia sul gambale	Dust guard	Cache poussière	Schmutzfänger	
	20	29 52 64 00	1	Ammortizzatore destro	R.H. shock absorber	Amortisseur D	Stossdämpfer, R.	
	21	14 52 78 00	2	Tubo per asta	Tube	Tuyau	Rohr	
	22	14 52 79 00	2	Estremità per asta	End	Extrémité de tige	Ende	
	23	18 52 69 60	2	Molla superiore sospensione	Spring	Ressort	Feder	
	24	18 52 66 60	2	Molla inferiore sospensione	Spring	Ressort	Feder	
	25	18 52 79 60	2	Distanziale guida molle	Spacer	Entretoise	Distanzstück	
	26	90 27 10 14	2	Anello seeger	Seeger ring	Bague d'étanchéité	Seegerring	
	27	29 52 74 00	2	Distanziale inferiore	Spacer	Entretoise	Distanzstück	
	28	98 62 05 90	2	Vite fissaggio tubo	Screw	Vis	Schraube	
	29	10 52 89 00	2	Guarnizione	Gasket	Joint	Dichtung	
	30	98 62 05 40	2	Vite fissaggio gambale e perno	Screw	Vis	Schraube	
	31	92 78 11 00	2	Dado per vite	Nut	Ecrou	Mutter	
	32	63 49 61 20	1	Fodero destro	R.H. stay tube	Tuyau étai D	Stützrohr, R.	
	33	63 49 62 20	1	Fodero sinistro	L.H. stay tube	Tuyau étai G	Stützrohr, L.	
	34	18 51 34 60	1	Dado fissaggio testa sterzo	Nut	Ecrou	Mutter	
	35	18 51 35 60	1	Rondella per dado	Washer	Rondelle	Unterlegscheibe	
	36	14 49 46 00	1	Scodellino	Cup	Coupelle	Manschette	
	37	92 24 92 25	2	Cuscinetto a rulli conici	Bearing	Roulement	Lager	
	38	14 51 67 00	1	Rondella spallamento cuscinetto	Washer	Rondelle	Unterlegscheibe	
	39	14 51 70 00	1	Anello inferiore cuscinetto	Ring	Bague	Ring	
	40	29 49 78 00	1	Mascherina su base forcella	Protection	Protection	Stütze	

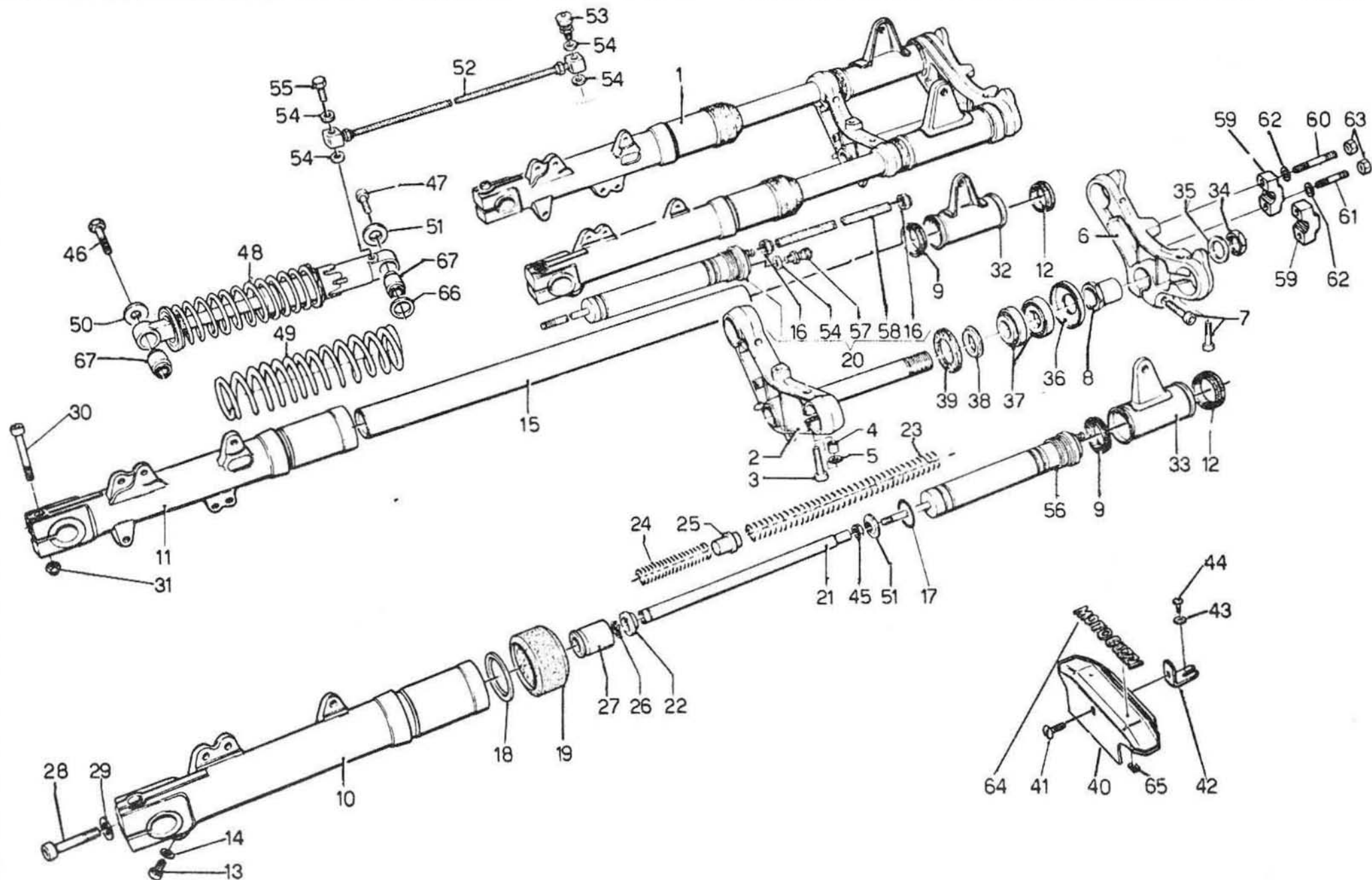
D3

SOSPENSIONI ANTERIORE E POSTERIORE
FRONT AND REAR SUSPENSIONS

SUSPENSIONS AV ET AT
VORD. HINTERRADAUFHÄNGUNG

Tavola - Drawing
Table - Bild

17



D4

SOSPENSIONI ANTERIORE E POSTERIORE FRONT AND REAR SUSPENSIONS		SUSPENSIONS AV ET AR VORD. - HINTERRADAUFHÄNGUNG					Tavola - Drawing Table - Bild	17
NOTE NOTES NOTES MARKE	POS. N.	N. COD. CODE No. No. CODE CODE Nr.	Q.tà Q.ty Q.té M.ge	DENOMINAZIONE	DESCRIPTION	DESIGNATION	BEZEICHNUNG	
	41	98 32 60 14	1	Vite fissaggio mascherina	Screw	Vis	Schraube	
	42	29 57 88 00	1	Squadretta sostegno mascherina	Bracket	Etrier	Bügel	
	43	95 00 12 06	1	Rondella	Washer	Rondelle	Unterlegscheibe	
	44	98 05 43 18	1	Vite fissaggio squadretta	Screw	Vis	Schraube	
	45	92 60 15 08	2	Dado	Nut	Ecrou	Mutter	
	46	98 07 44 16	2	Vite inferiore ammortizzatore post.	Lower screw	Vis inférieure	Unt. Schraube	
	47	98 07 44 20	2	Vite superiore	Upper screw	Vis supérieure	Obere Schraube	
	48	29 55 02 00	2	Sospensione posteriore	Rear suspension	Suspension AR	Hint. Aufhängung	
	49	29 55 23 00	2	Molla per sospensione	Spring	Ressort	Feder	
	50	95 10 02 56	2	Ranella esterna inferiore	Washer	Rondelle	Unterlegscheibe	
	51	18 52 65 60	2	Scodellino	Cup	Cupelle	Manschette	
	52	29 55 61 00	1	Tubazione colleg. ammortizzatori	Pipe	Tuyau	Rohr	
	53	28 55 62 50	1	Valvola aria posteriore	Rear air valve	Soupape à air AR	Hint. Luftventil	
	54	28 55 63 50	5	Rondella	Washer	Rondelle	Unterlegscheibe	
	55	28 55 64 50	1	Vite forata	Screw	Vis	Schraube	
	56	28 52 10 50	1	Ammortizzatore sinistro	L.H. shock absorber	Amortisseur G	Stossdämpfer, L.	
	57	28 52 82 50	1	Valvola aria anteriore	Front air valve	Soupape à air AV	Vord. Luftventil	
	58	29 52 96 00	1	Tubazione collegamento	Pipe	Tuyau	Rohr	
	59	17 50 02 00	2	Morsetto fissaggio manubrio	Clamp	Borne	Bügel	
	60	96 50 80 66	2	Prigioniero	Stud bolt	Goujon prisonnier	Stiftschraube	
	61	96 50 80 45	2	Prigioniero	Stud bolt	Goujon prisonnier	Stiftschraube	
	62	95 00 11 08	4	Rondella	Washer	Rondelle	Unterlegscheibe	
	63	92 60 22 08	4	Dado	Nut	Ecrou	Mutter	
	64	19 92 34 80	1	Marchio "Moto Guzzi"	"Moto Guzzi" emblem	Emblème "Moto Guzzi"	"Moto Guzzi" Marke	
	65	39 92 22 00	2	Fermaglio	Fastener clip	Agrafe	Klammer	
	66	91 18 14 05	2	Distanziale int. superiore	Spacer	Entretoise	Distanzstück	
	67	14 55 16 55	4	Elemento elastico sospensione post.	Flexible element	Élément élastique	Federelement	

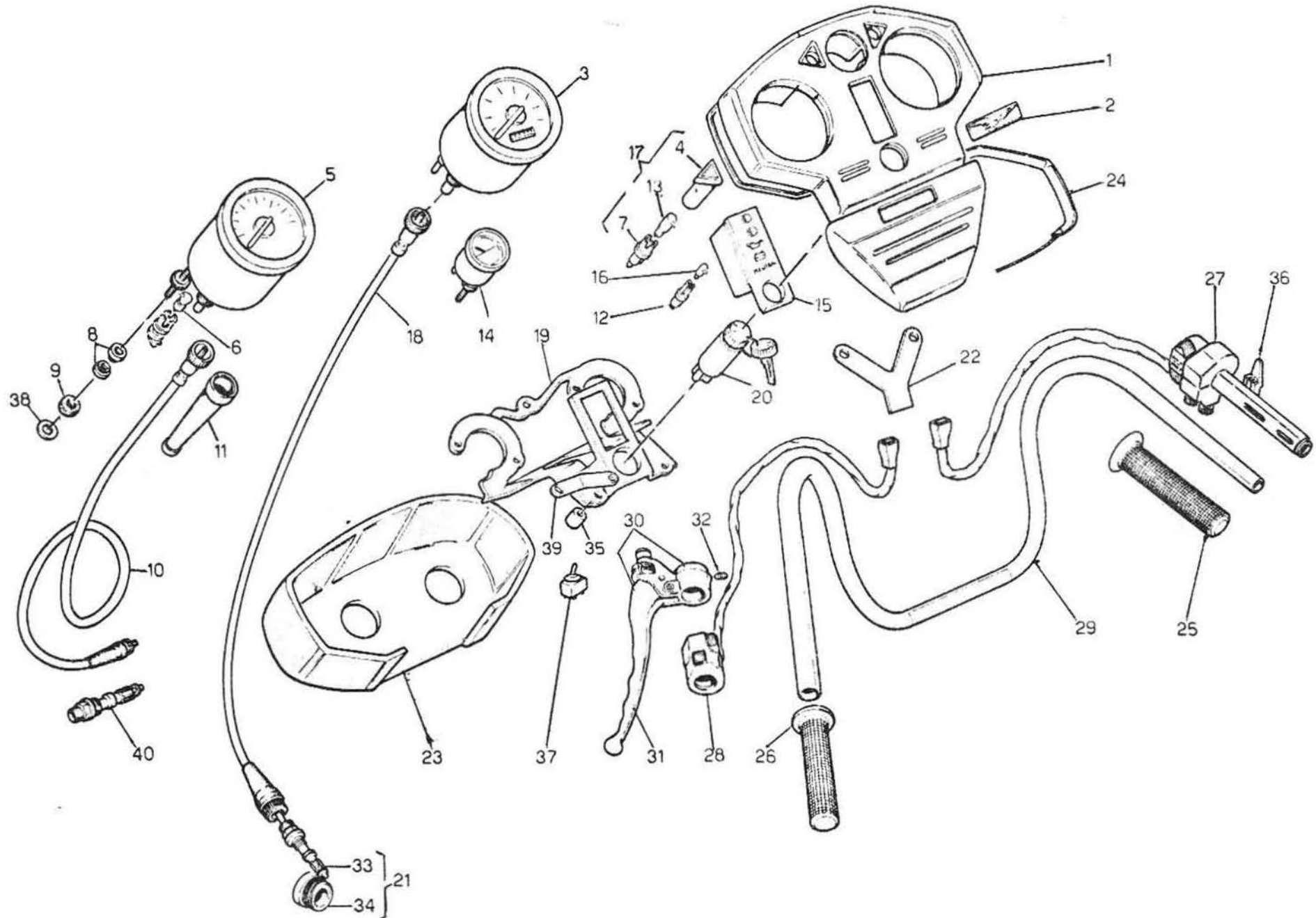
D5

STRUMENTAZIONE E COMANDI
INSTRUMENT PANEL AND CONTROLS

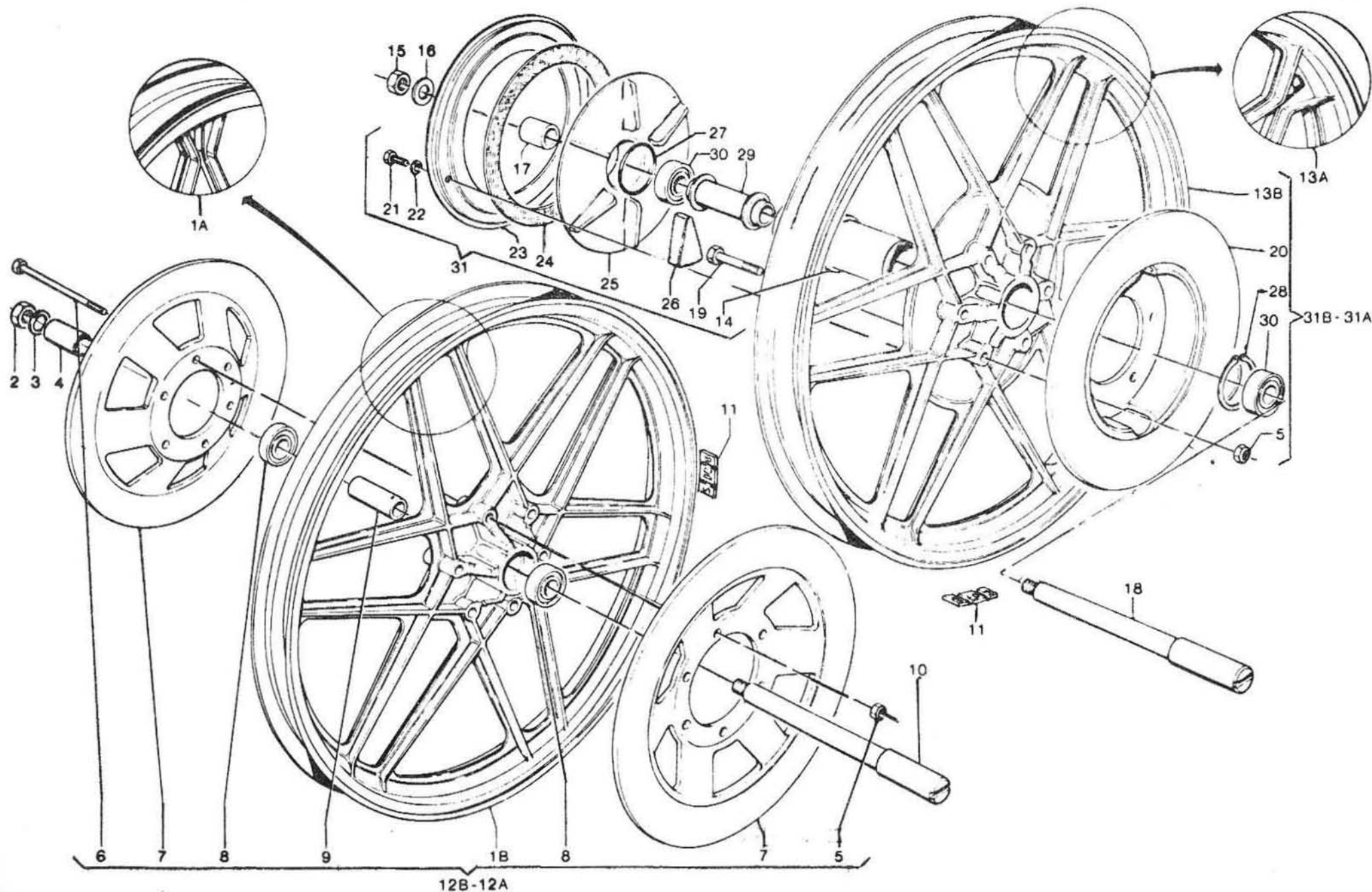
TABEAU DE BORD ET COMMANDES
INSTRUMENTENBRETT UND ANTRIEB

Tavola - Drawing
Table - Bild

18



STRUMENTAZIONE E COMANDI INSTRUMENT PANEL AND CONTROLS		TABLEAU DE BORD ET COMMANDES INSTRUMENTENBRETT UND ANTRIEB			Tavola - Drawing Table - Bild			18
NOTE NOTES NOTES MARKE	POS. N.	N. COD. CODE No. No. CODE CODE Nr.	Q.ta Q.ty Q.te M.ge	DENOMINAZIONE	DESCRIPTION	DESIGNATION	BEZEICHNUNG	
	1	63 76 62 20	1	Cruscotto superiore	Upper instrument panel	Tableau de bord supérieur	Ober. Instrumentenbrett	
	2	29 76 95 00	1	Targhetta sul cruscotto	Plate	Plaque	Plättchen	
	3	28 76 15 50	1	Tachimetro kontakm.	Speedometer - Km. ind.	Tachym. compt. Km.	Tachometer - Km. Zähler	
	4	19 76 89 80	2	Spia per indicatore	Warning light	Témoin	Anzeigelicht	
	5	19 76 72 80	1	Contagiri	Rev. counter	Compte-tours	Drehzahlmesser	
	6	93 45 01 19	3	Lampada 12V - 3W	Bulb 12V - 3W	Ampoule 12V - 3W	Glühlampe 12V - 3W	
	7	17 76 06 50	2	Portalampada	Lamp socket	Douille d'ampoule	Glühlampenfassung	
	8	17 76 55 60	5	Spessore elastico	Spacer	Entretoise	Distanzstück	
	9	17 78 39 60	5	Spessore elastico	Spacer	Entretoise	Distanzstück	
	10	19 76 81 80	1	Trasmissione contagiri	Rev. counter cable	Câble compte-tours	Drehmesserkabel	
	11	17 76 22 00	2	Guaina copritrasmissione	Cable hose	Gaine de protection	Schutzschlauch	
	12	19 76 86 80	5	Portalampada	Lamp socket	Douille d'ampoule	Glühlampenfassung	
	13	17 76 21 50	2	Lampada 12V - 1,2W	Bulb 12V - 1,2W	Ampoule 12V - 1,2W	Glühlampe 12V - 1,2W	
	14	17 78 49 60	1	Volmetro	Voltmeter	Voltmètre	Spannungsmesser	
	15	63 76 69 20	1	Pannello spie completo	Panel, complete	Tableau complet	Schalttafel	
	16	93 45 01 40	5	Lampada 12V - 1,2W	Bulb 12V - 1,2W	Ampoule 12V - 1,2W	Glühlampe 12V - 1,2W	
	17		2	Spia completa di lampada	Warning light with lamp	Témoin avec ampoule	Kontrolleuchte mit Lampe	
	18	14 76 04 50	1	Trasmissione kontakm.	Km. indicator cable	Câble compt. km.	Km. Zählerkabel	
	19	62 76 40 20	1	Piastra portastrumenti	Plate	Plaque	Platte	
	20	19 73 53 00	1	Commutatore accensione e luci	Switch	Commutateur	Schalter	
	21	14 76 25 10	1	Rinvio kontakm. (Z = 5/11)	Speedometer assy (Z = 5/11)	Tachymètre complet (Z = 5/11)	Antrieb-Km Zähler, kpl. (Z = 5/11)	
	22	63 76 41 20	1	Piastra fiss. piastra portastrumenti	Plate	Plaque	Platte	
	23	63 76 52 20	1	Cruscotto inferiore	Lower instrument panel	Tableau de bord inférieur	Unter. Instrumentenbrett	
	24	63 76 31 20	1	Modanatura per cruscotto	Moulding	Moulure	Abdeckleiste	
	25	14 60 35 00	1	Manopola destra	R.H. hand-grip	Poignée D	Handgriff, R.	
	26	14 60 30 00	1	Manopola sinistra	L.H. hand-grip	Poignée G	Handgriff, L.	
	27	29 60 34 00	1	Impugnatura comando gas	Throttle control	Commande de gaz	Gasregelung	
	28	29 73 80 00	1	Dispositivo comando indic. - tromba e sprazzo	Indicator - horn, flash control	Dispositif comm. clign. - avert. acoust. - appel phare	Kombischalter für Blinker - Hupe - Lichthupe	
	29	29 60 03 00	1	Manubrio	Handle-bar	Guidon	Lenkerstange	
	30	17 60 55 70	1	Leva comando frizione completa	Clutch lever, complete	Levier d'embrayage compl.	Kupplungshebel, kpl.	
	31	17 60 57 50	1	Leva frizione	Clutch lever	Levier d'embrayage	Kupplungshebel	
	32	98 62 23 18	1	Vite fissaggio supporto	Screw	Vis	Schraube	
	33	12 76 33 00	1	Pignone cond. (Z = 11)	Drive gear (Z = 11)	Pignon (Z = 11)	Ritzel (Z = 11)	
	34	14 76 61 10	1	Corona dentata (Z = 5)	Crown (Z = 5)	Couronne (Z = 5)	Zahnrad (Z = 5)	
	35	91 18 09 16	2	Distanziale	Spacer	Entretoise	Distanzstück	
	36	65 60 44 00	1	Blocchetto di guida	Cable connector	Bague de liaison	Kabelverbinder	
	37	17 74 57 60	1	Commutatore lampeggianti	Switch	Commutateur	Schalter	
	38	95 10 00 60	5	Ranella	Washer	Rondelle	Scheibe	
	39	29 74 63 00	1	Piastrina supporto commutatore	Plate	Plaque	Platte	
	40	14 76 92 00	1	Rinvio contagiri	Rev. counter, compl.	Compte-tours, compl.	Drehmesser, kpl.	



RUOTA ANTERIORE E POSTERIORE FRONT AND REAR WHEEL		ROUE AV ET AR VORDERRAD - HINTERRAD					Tavola - Drawing Table - Bild	19
NOTE NOTES MARKE	POS. N.	N. COD. CODE No. No. CODE CODE Nr.	Q.tà Q.ty Q.té M.ge	DENOMINAZIONE	DESCRIPTION	DESIGNATION	BEZEICHNUNG	
	1/A	29 61 03 01	1	Ruota anteriore	Front wheel	Roue AV	Vorderrad	
	1/B	29 61 03 02	1	Ruota anteriore	Front wheel	Roue AV	Vorderrad	
	2	92 60 25 16	1	Dado	Nut	Ecrou	Mutter	
	3	95 00 42 17	1	Rosetta	Washer	Rondelle	Scheibe	
	4	17 61 63 60	1	Distanziale ruota	Spacer	Entretoise	Abstandrohr	
	5	92 63 05 08	12	Dado	Nut	Ecrou	Mutter	
	6	98 05 24 99	6	Vite	Screw	Vis	Schraube	
	7	14 61 33 02	2	Dischi freno	Brake disc	Disque frein	Bremsscheibe	
	8	92 20 42 21	2	Cuscinetti mozzo ruota	Bearing	Roulement	Lager	
	9	14 63 40 51	1	Distanziale	Spacer	Entretoise	Distanzstück	
	10	17 61 41 60	1	Perno ruota anteriore	Wheel axle	Axe de roue	Radachse	
	11	14 61 61 50	2 ÷ 4	Massa contrappeso	Balance weight	Massa additive	Gewichtsausgleich	
	12/A	29 61 02 01	1	Ruota anteriore completa	Front wheel, complete	Roue AV complète	Vorderrad, kpl.	
	12/B	29 61 03 02	1	Ruota anteriore completa	Front wheel, complete	Roue AV, complète	Vorderrad, kpl.	
	13/A	29 63 06 01	1	Ruota posteriore	Rear wheel	Roue AR	Hinterrad	
	13/B	29 63 06 00	1	Ruota posteriore	Rear wheel	Roue AR	Hinterrad	
	14	14 63 22 50	1	Mozzo per ruota	Wheel hub	Moyeu de roue	Radnabe	
	15	92 60 23 16	1	Dado	Nut	Ecrou	Mutter	
	16	14 63 44 00	1	Anello lato scatola	Washer	Rondelle	Scheibe	
	17	17 63 41 50	1	Distanziale	Spacer	Entretoise	Abstandrohr	
	18	29 63 33 00	1	Perno per ruota	Wheel axle	Axe de roue	Radachse	
	19	98 05 24 45	6	Vite fissaggio disco	Screw	Vis	Schraube	
	20	18 63 57 60	1	Disco freno posteriore	Rear disc	Disque AR	Hinterbremsscheibe	
	21	98 05 43 20	3	Vite	Screw	Vis	Schraube	
	22	95 02 11 06	3	Rosetta	Washer	Rondelle	Scheibe	
	23	14 33 56 50	1	Flangia	Flange	Flasque	Flansch	
	24	14 33 53 50	1	Anello di attrito	Ring	Bague	Ring	
	25	14 33 52 03	1	Disco parastrappi	Elastic coupling	Joint elastique	Elast. Kupplung	
	26	14 33 68 03	12	Elemento parastrappi	Rubber coupling	Joint en caoutchouc	Gummikupplung	
	27	90 70 64 90	1	Guarnizione OR	Gasket	Joint	Dichtung	
	28	90 27 10 55	1	Anello seeger (55e)	Circlip (55e)	Jonc d'arrêt (55e)	Seegerring (55e)	
	29	14 63 40 50	1	Distanziale completo	Spacer, complete	Entretoise complet	Abstandrohr, kpl.	
	30	92 20 42 20	2	Cuscinetto mozzo	Bearing	Roulement	Lager	
	31/A	29 63 02 01	1	Ruota posteriore completa	Rear wheel, complete	Roue AR complète	Hinterrad, kpl.	
	31/B	29 63 02 00	1	Ruota posteriore completa	Rear wheel, complete	Roue AR, complète	Hinterrad, kpl.	

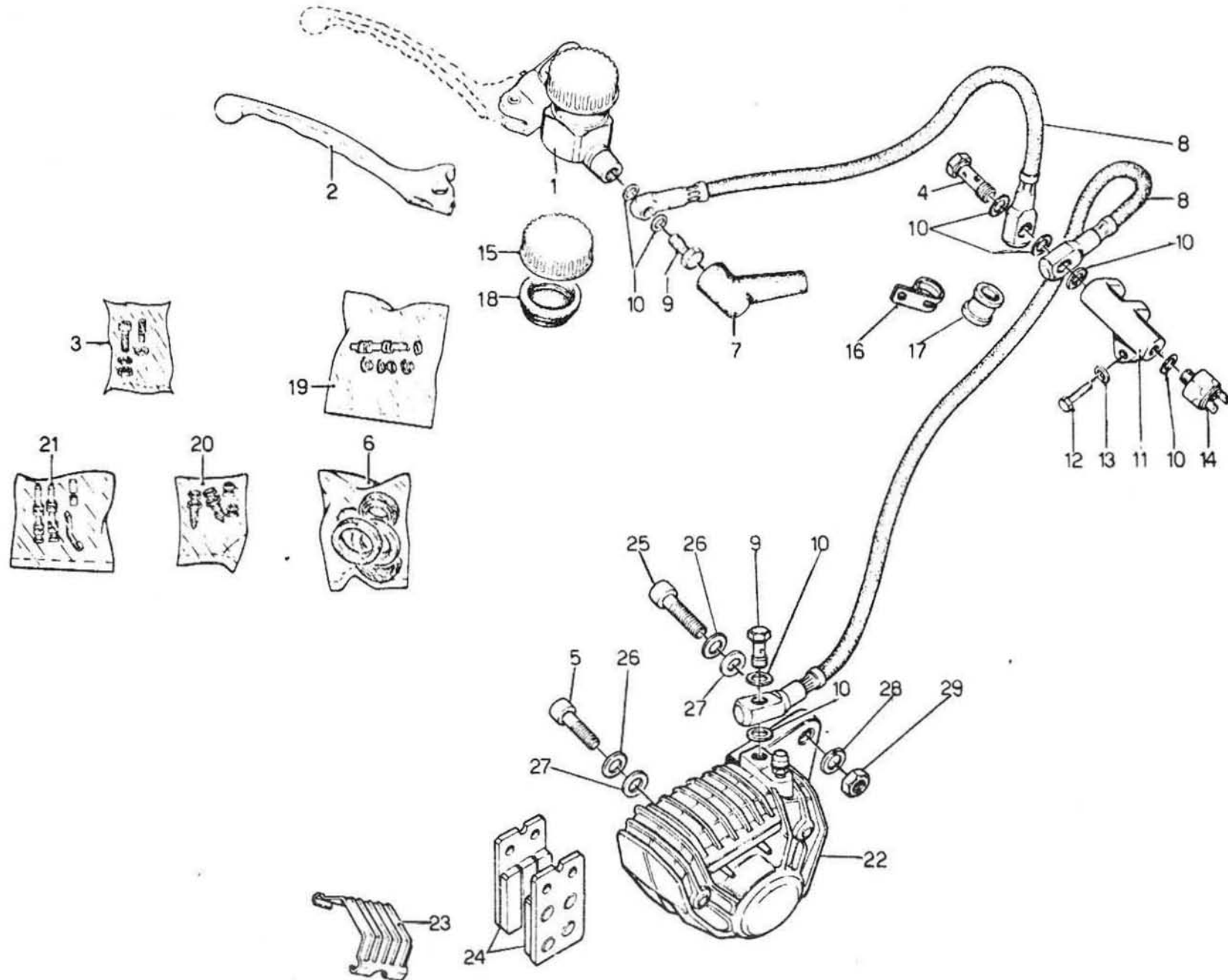
D9

COMANDO FRENO ANTERIORE DESTRO
R.H. FRONT BRAKE CONTROL

COMMANDE DE FREIN AV DROIT
VORDERBREMSSTEUERUNG, R.

Tavola - Drawing
Table - Bild

20



COMANDO FRENO ANTERIORE DESTRO R.H. FRONT BRAKE CONTROL		COMMANDE DE FREIN AV DROIT VORDERBREMSSTEUERUNG, R.					Tavola - Drawing Table - Bild	20
NOTE NOTES NOTES MARKE	POS. N.	N. COD. CODE No. No. CODE CODE Nr.	Q.ta Q.ty Q.te M.ge	DENOMINAZIONE	DESCRIPTION	DESIGNATION	BEZEICHNUNG	
	1	17 66 02 53	1	Pompa freno anteriore	Front master cylinder	Maitre-cylindre AV	Hauptbremszylinder	
	2	17 60 56 52	1	Leva comando freno	Brake lever	Levier du frein	Bremshebel	
	3	17 65 94 50	1	Gruppo revisione viti	Screw kit	Kit de vis	Schraube - Rep. Satz	
	4	95 99 00 34	1	Vite cava	Screw	Vis	Schraube	
	5	98 62 25 30	1	Vite	Screw	Vis	Schraube	
	6	14 65 90 00	1	Gruppo revisione pinza	Seals kit	Kit de joints	Dichtungs, Rep. Satz	
	7	39 66 38 01	1	Cappuccio	Dust cap	Pare-poussière	Staubkappe	
	8	18 65 71 40	2	Tubazione flessibile	Flexible hose	Tuyau flexible	Bremsschlauch	
	9	95 99 00 33	3	Vite cava	Hollow screw	Vis creuse	Hohlschraube	
	10	25 65 61 00	8	Guarnizione	Gasket	Joint	Dichtung	
	11	14 65 68 00	1	Ripartitore	Distributor	Raccord de distributeur	Verteiler	
	12	98 05 43 20	1	Vite	Screw	Vis	Schraube	
	13	95 00 42 06	1	Rosetta	Washer	Rondelle	Scheibe	
	14	25 65 70 01	1	Interruttore idraulico	Stop light switch	Contacteur de stop	Stoplichtschalter	
	15	17 66 11 52	1	Coperchio	Cover	Couvercle	Verchlussdeckel	
	16	17 65 84 60	1	Fascetta tenuta tubazione	Hose clamp	Collier	Schlauschelle	
	17	17 65 82 60	1	Anello	Ring	Bague	Ring	
	18	17 66 13 52	1	Membrana a soffiello	Boot	Soufflet	Segeltuchverdeck	
	19	17 65 93 50	1	Gruppo revisione pompa	Master cylinder kit	Kit de maître-cylindre	Hauptbremszyl. Rep. Satz	
	20	14 65 92 00	1	Gruppo revisione spurgo	Screws kit	Kit de vis	Schraube - Rep. Satz	
	21	14 65 91 00	1	Gruppo revisione pastiglie	Pads kit	Kit de patins	Bremsbelag - Rep. Satz	
	22	17 65 22 60	1	Pinza anteriore destra	R.H. front brake caliper	Etrier AV D	Vord. Festsattel, R.	
	23	17 65 47 60	1	Coperchio	Cover	Couvercle	Deckel	
	24	14 65 46 01	2	Pastiglie freno destro (Ferit I/D 332)	Pad (Ferit I/D 332)	Patins frein (Ferit I/D 332)	Bremsbelag (Ferit I/D 332)	
	25	98 62 05 40	1	Vite superiore	Screw	Vis	Schraube	
	26	95 00 42 10	2	Rosetta	Washer	Rondelle	Scheibe	
	27	95 10 03 32	0 ÷ 4	Rosetta di spallamento mm 0,5	Spacer washer mm 0.5	Rondelle d'épaul. mm 0,5	Einstellscheibe mm 0,5	
	27	95 10 03 33	0 ÷ 4	Rosetta di spallamento mm 0,8	Spacer washer mm 0.8	Rondelle d'épaul. mm 0,8	Einstellscheibe mm 0,8	
	28	95 12 91 80	1	Rosetta elastica	Spring washer	Rondelle élastique	Federring	
	29	92 60 22 10	1	Dado	Nut	Ecrou	Mutter	

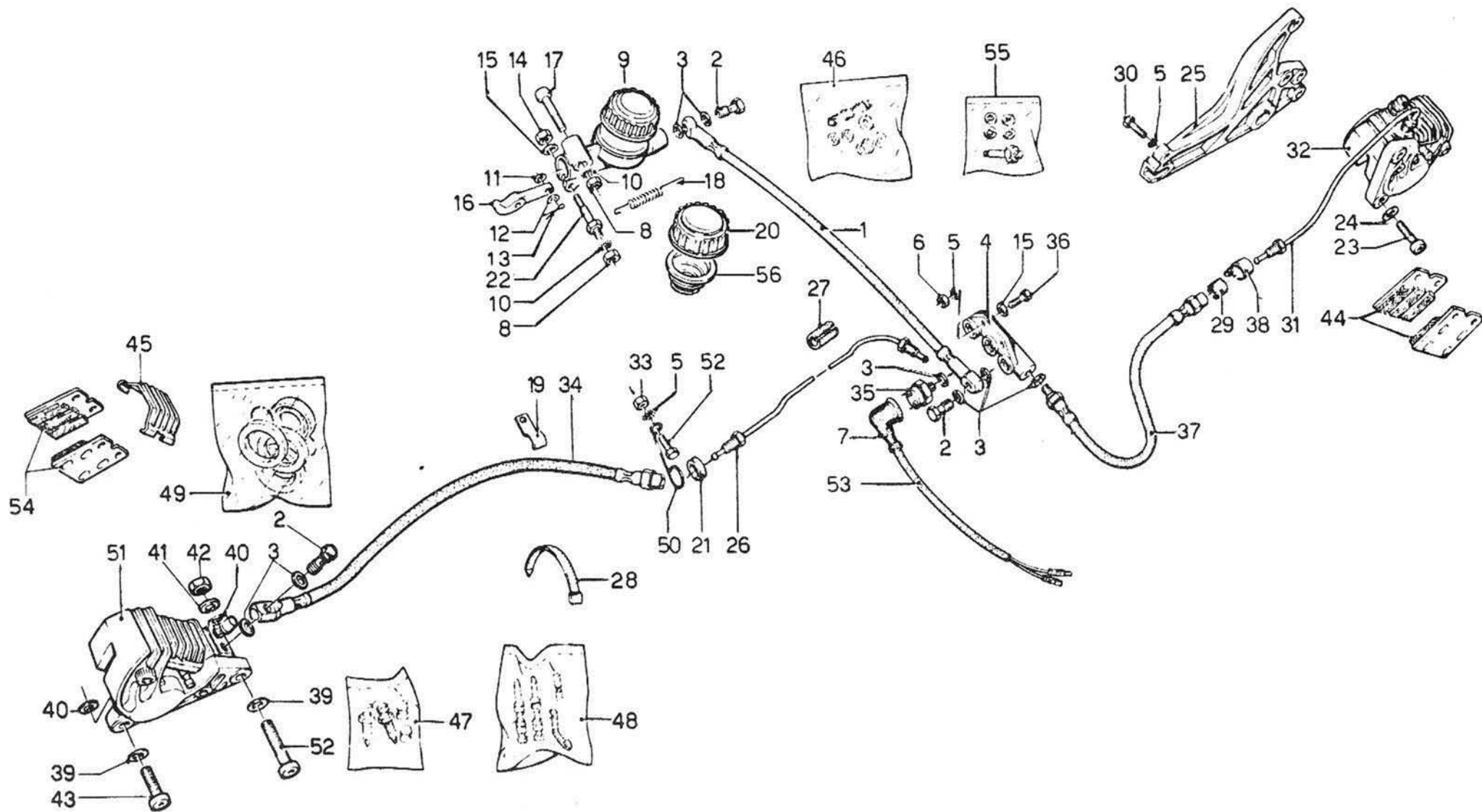
D11

FRENO ANT. SINISTRO E POST. - COMANDI
REAR - FRONT L.H. BRAKE - CONTROLS

FREIN AV G ET AR - COMMANDES
HINT. L. - VORD. BREMSE - K.GERÄTE

Tavola - Drawing
Table - Blid

21



FRENO ANT. SINISTRO E POST. - COMANDI REAR - FRONT L.H. BRAKE - CONTROLS		FREIN AV G ET AR - COMMANDES HINT. L. VORD. BREMSE - K.GERÄTE					Tavola - Drawing Table - Bild	21
NOTE NOTES NOTES MARKE	POS. N.	N. COD. CODE No. No. CODE CODE Nr.	Q.tà Q.ty Q.te M.ge	DENOMINAZIONE	DESCRIPTION	DESIGNATION	BEZEICHNUNG	
	1	17 65 85 50	1	Tubazione	Pipe	Tuyau	Rohr	
	2	95 99 00 33	3	Vite cava	Screw	Vis	Schraube	
	3	25 65 61 00	8	Guarnizione	Gasket	Joint	Dichtung	
	4	17 66 80 50	1	Ripartitore posteriore	Brake joint	Raccord frein	Bremseanschluss	
	5	95 02 11 06	5	Rosetta elastica	Spring washer	Rondelle elastique	Federscheibe	
	6	92 60 22 06	4	Dado	Nut	Ecrou	Mutter	
	7	12 73 51 00	1	Cappuccio	Cap	Capuchon	Kappe	
	8	92 60 22 08	2	Dado	Nut	Ecrou	Mutter	
	9	29 66 70 00	1	Pompa freni	Master cylinder	Maitre-cylindre	Bremszylinder	
	10	95 02 11 08	2	Rosetta dentellata	Tooth washer	Rondelle dentée	Zahnscheibe	
	11	95 12 91 30	1	Rosetta antivibrante	Washer	Rondelle	Scheibe	
	12	95 10 01 73	1	Rosetta	Washer	Rondelle	Scheibe	
	13	95 50 02 22	2	Copiglia	Cotter pin	Goupille	Splint	
	14	92 63 02 06	5	Dado autobloccante	Self-locking nut	Ecrou à autoblocage	Hutmutter	
	15	95 00 02 06	7	Rosetta piana	Washer	Rondelle	Scheibe	
	16	17 66 75 50	1	Leva comando pompa	Master cylinder lever	Levier maître-cylindre	Bremszylinderhebel	
	17	98 62 04 40	1	Vite	Screw	Vis	Schraube	
	18	17 66 76 50	1	Molla	Spring	Ressort	Feder	
	19	93 30 13 13	1	Cavallotto	Clamp	Guide-câble	Befestigungschelle	
	20	14 66 11 00	1	Coperchio	Cover	Couvercle	Deckel	
	21	91 55 11 20	1	Anello tubazione	Rubber grommet	Douille en caoutchouc	Gummitülle	
	22		1	Perno per leva (vedi pos. 55)	Pin (see pos. 55)	Pivot (voir pos. 55)	Stift (siehe Pos. 55)	
	23	98 62 25 30	4	Vite	Screw	Vis	Schraube	
	24	95 00 42 10	2	Rosetta	Washer	Rondelle	Scheibe	
	25	18 63 58 60	1	Staffa	Bracket	Etrier	Stütze	
	26	17 65 87 50	1	Tubazione rigida	Not flexible pipe	Tuyau rigide	Rohrleitung	
	27	17 65 96 50	1	Fascia elastica	Spring clamp	Collier élastique	Federscheile	
	28	14 60 96 50	2	Fascetta	Clamp	Collier	Scheile	
	29	90 71 61 42	1	Anello elastico	Spring ring	Bague élastique	Federring	
	30	98 05 43 14	1	Vite	Screw	Vis	Schraube	
	31	17 65 86 50	1	Tubazione rigida	Not flexible pipe	Tuyau rigide	Rohrleitung	
	32	17 65 22 60	1	Pinza posteriore	Rear brake caliper	Etrier frein AR	Hint. Bremsesattel	
	33	92 63 01 06	1	Dado autobloccante	Self-locking nut	Ecrou à autoblocage	Hutmutter	
	34	14 65 88 51	1	Tubazione flessibile	Flexible pipe	Tuyau flexible	Bremsschlauch	
	35	63 65 70 00	1	Interruttore idraulico	Stop light switch	Contacteur de stop	Stoplichtschalter	
	36	98 05 43 20	2	Vite	Screw	Vis	Schraube	
	37	17 65 75 50	1	Tubazione flessibile	Flexible pipe	Tuyau flexible	Bremsschlauch	
	38	62 43 65 00	1	Supporto tubazioni	Support	Support	Halter	
	39	95 00 42 10	4	Rosetta	Washer	Rondelle	Scheibe	
	40	95 10 03 32	0 ÷ 4	Rosetta di spallamento	Spacer washer	Rondelle d'épaulement	Einstellscheibe	

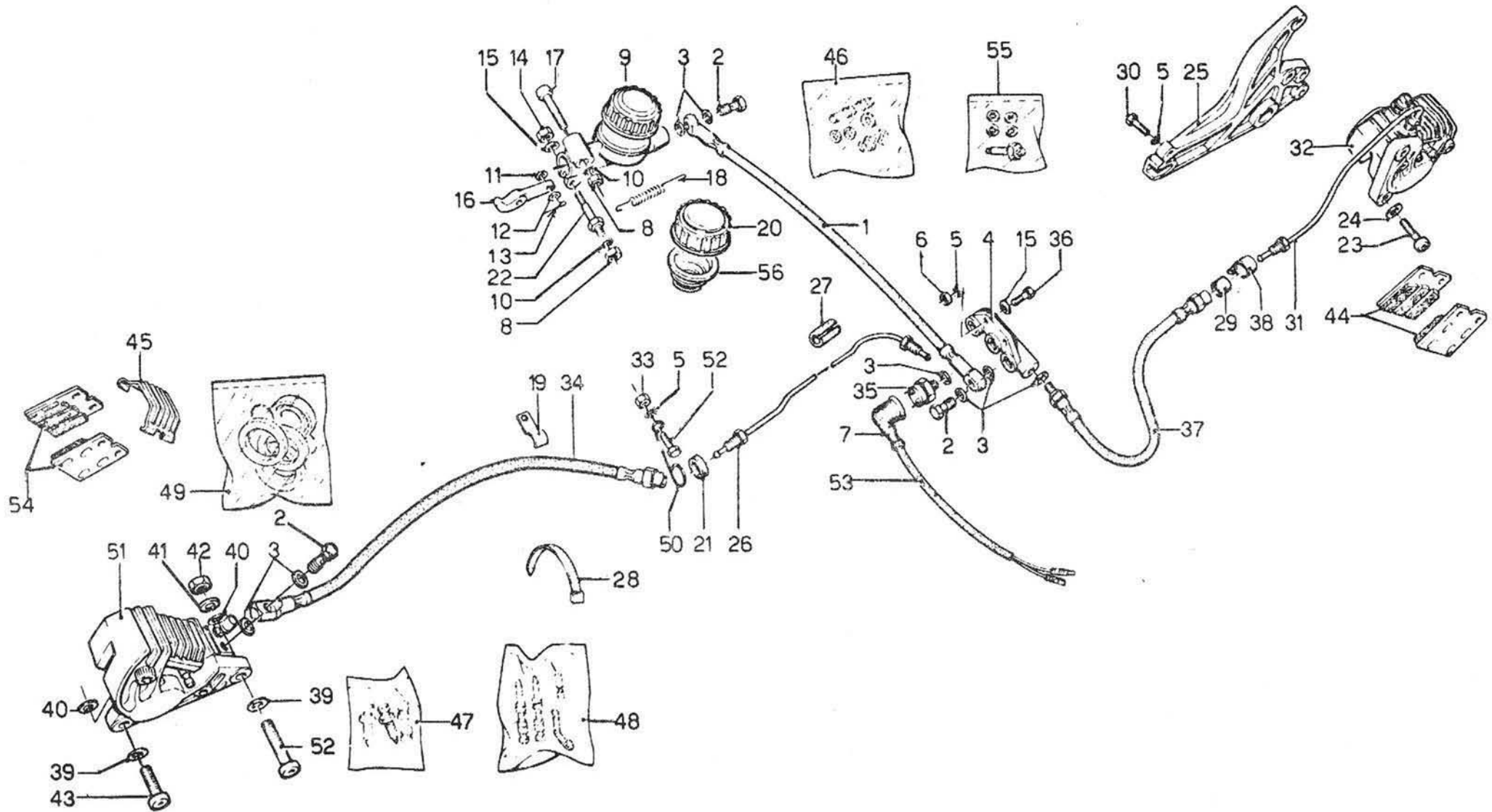
D13

FRENO ANT. SINISTRO E POST. - COMANDI
REAR - FRONT L.H. BRAKE - CONTROLS

FREIN AV G ET AR - COMMANDES
HINT. L. - VORD. BREMSE - K.GERÄTE

Tavola - Drawing
Table - Bild

21



D14

FRENO ANT. SINISTRO E POST. - COMANDI REAR - FRONT L.H. BRAKE - CONTROLS		FREIN AV G ET AR - COMMANDES HINT. L. VORD. BREMSE - K.GERÄTE					Tavola - Drawing Table - Bild 21
NOTE NOTES NOTES MARKE	POS. N.	N. COD. CODE No. No. CODE CODE Nr.	Q.tà Q.ty Q.té M.ge	DENOMINAZIONE	DESCRIPTION	DESIGNATION	BEZEICHNUNG
	40	95 10 03 33	0 ÷ 4	Rosetta di spallamento	Spacer washer	Rondelle d'épaulement	Einstellscheibe
	41	95 12 91 80	1	Rosetta elastica	Spring washer	Rondelle élastique	Federscheibe
	42	92 60 22 10	1	Dado	Nut	Ecrou	Mutter
	43	98 62 25 30	1	Vite	Screw	Vis	Schraube
	44	14 65 46 01	1	Coppia pastiglie freno posteriore	Rear brake pads, pair	Couple patins de frein AR	Hint. Bremsbelag, Paar
	45	17 65 47 60	2	Coperchio	Cover	Couvercle	Deckel
	46	17 65 93 50	1	Gruppo revisione pompa	Master cylinder kit	Kit de maître-cylindre	Hauptbremszyl. Rep. Satz
	47	17 65 92 60	1	Gruppo revisione spurgo	Screws kit	Kit de vis	Schrauben Rep. Satz
	48	14 65 91 00	1	Gruppo revisione pastiglie pinza post.	Pins kit	Kit de pivots	Bremsbelag Rep. Satz
	49	14 65 90 00	1	Gruppo revisione pinza posteriore	Seals kit	Kit de joints	Dichtung Rep. Satz
	50	28 65 97 50	1	Occhiello	Bracket	Sypport	Stütze
	51	17 65 23 60	1	Pinza anteriore sinistra	L.H. front caliper	Etrier AV G	Vord. Festsattel, L.
	52	98 62 05 40	1	Vite	Screw	Vis	Schraube
	53	17 74 75 50	1	Collegamento luci stop	Stop light connection	Branchement feux stop	Stoplichtleitung
	54	14 65 46 01	1	Coppia pastiglie freno ant. sinistro	L. H. front brake pads, pair	Couple patins de frein AV G	Vord. L. Bremsbelag, Paar
	55	14 65 94 50	1	Gruppo revis. per leva pompa freno	Lever revision kit, master cylinder	Kit de rénov. pour levier maître-cylindre	Hebel Hauptbremszylinder Rep. Satz
	56	14 66 13 00	1	Membrana a soffiutto	Membran	Membrane	Membrane

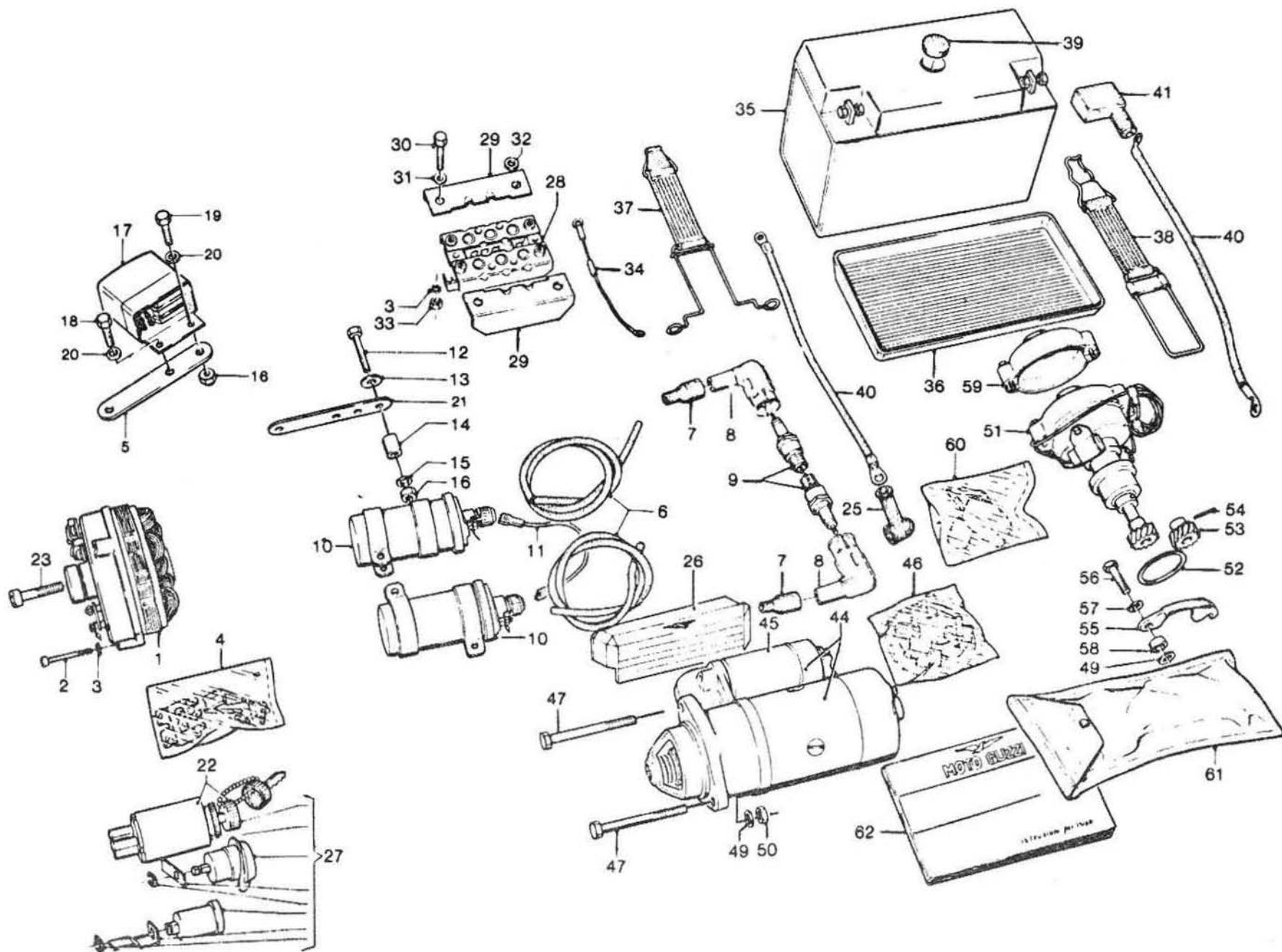
D15

ACCENSIONE - DOTAZIONE
IGNITION - KITS

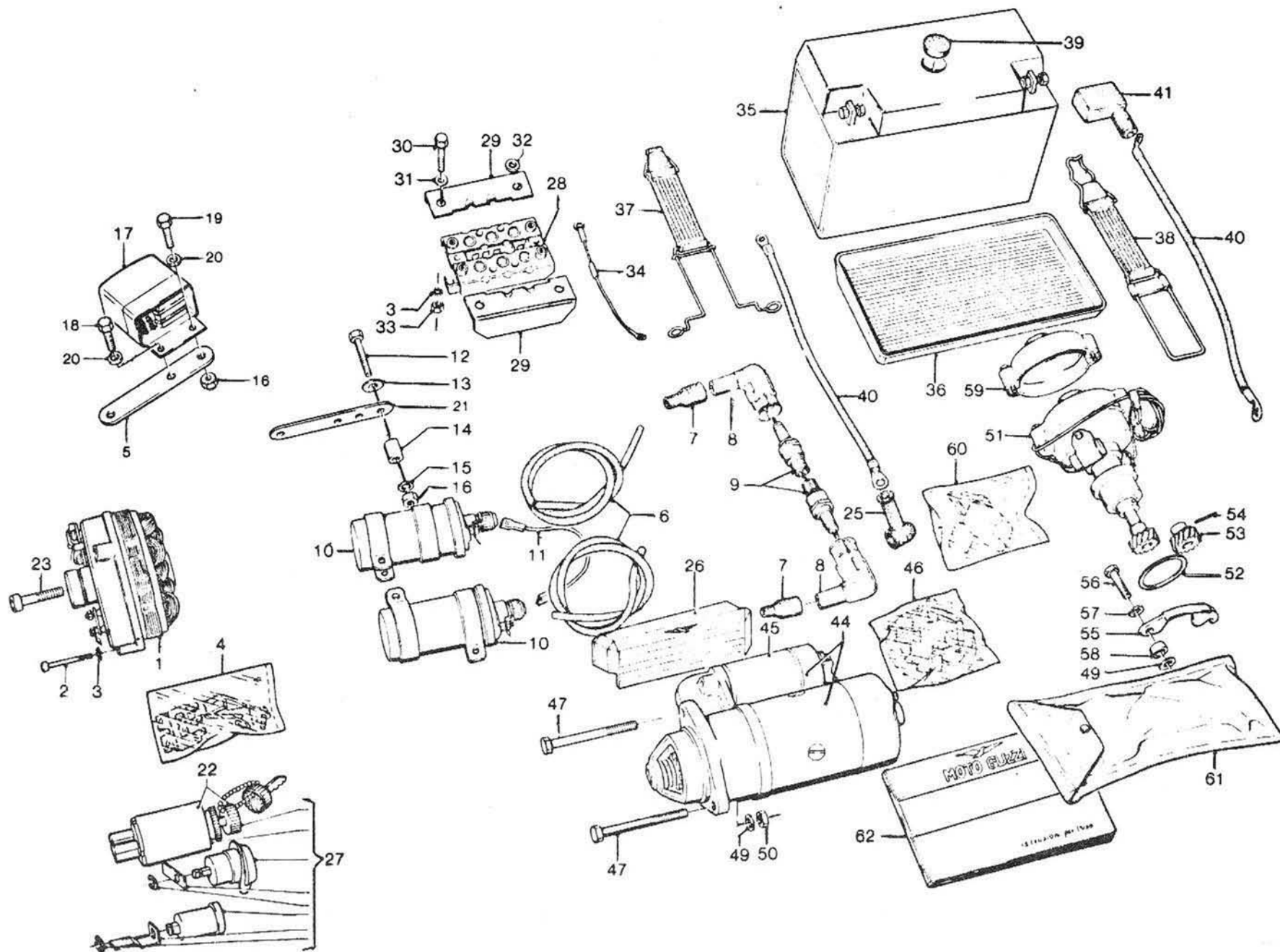
ALLUMAGE - KITS
ZÜNDUNG - REPARATURSATZ

Tavola - Drawing
Table - Bild

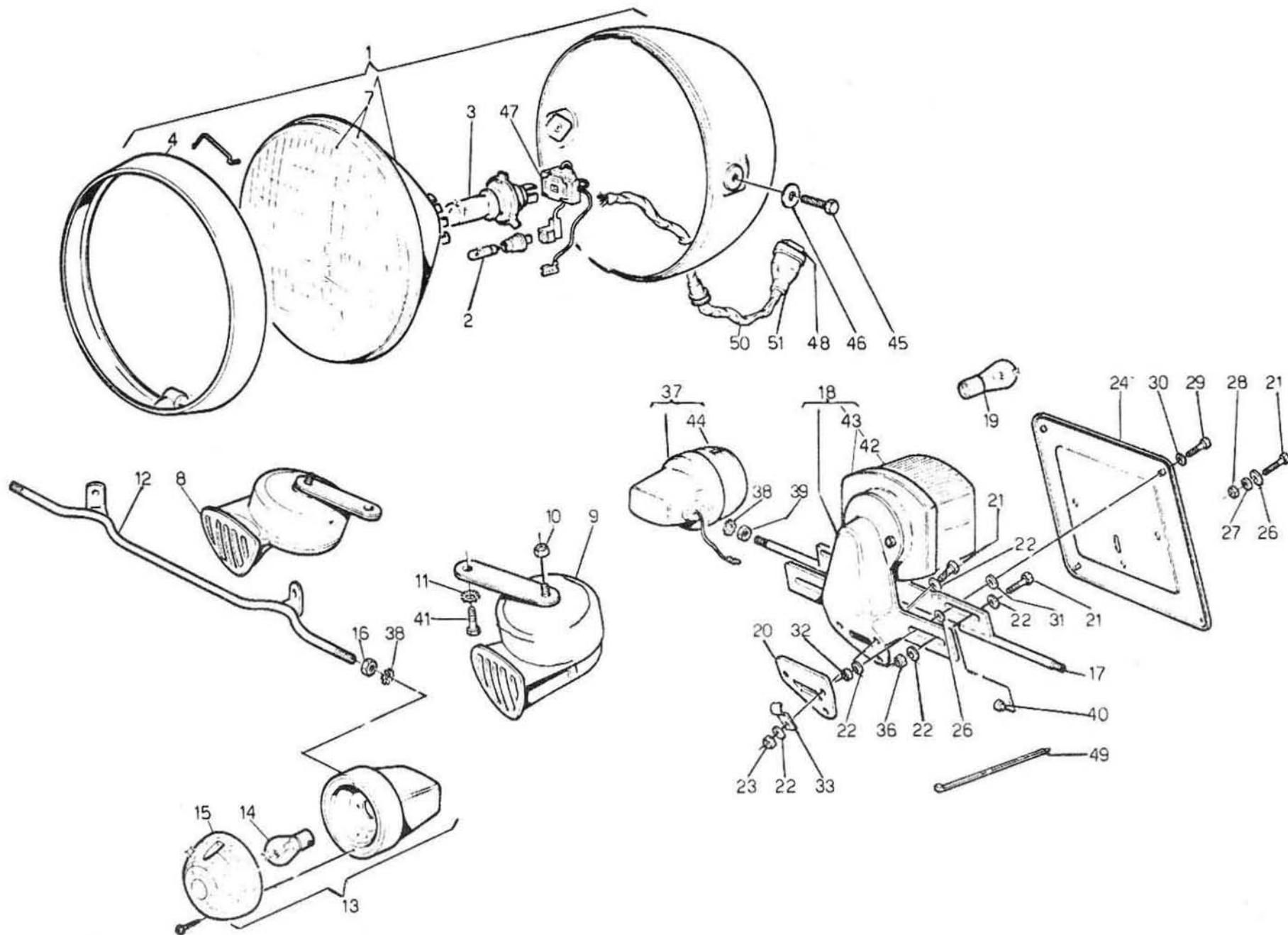
22



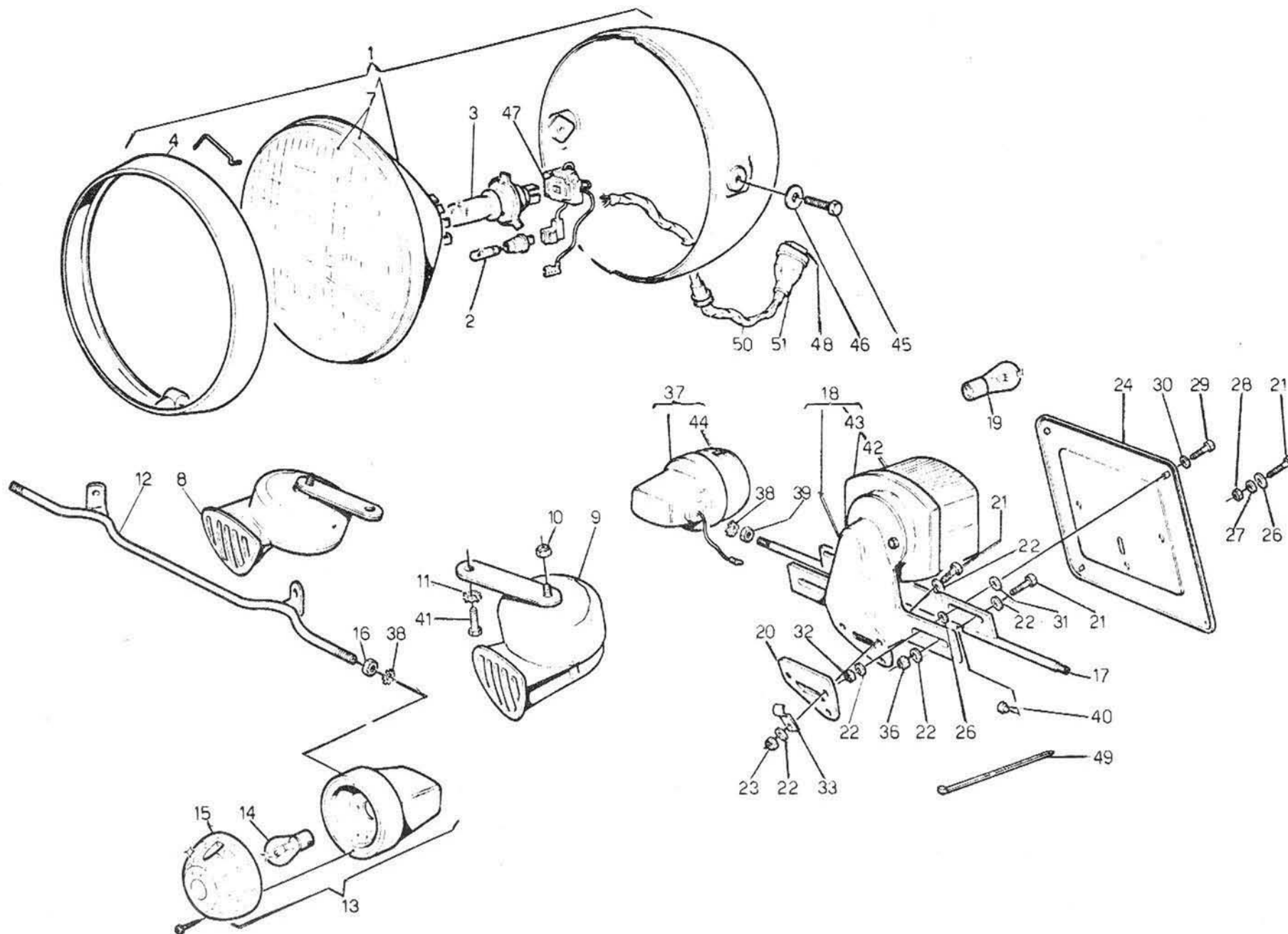
ACCENSIONE - DOTAZIONE IGNITION - KITS		ALLUMAGE - KITS ZÜNDUNG - REPARATURSATZ					Tavola - Drawing Table - Bild	22
NOTE NOTES NOTES MARKE	POS. N.	N. COD. CODE No. No. CODE CODE Nr.	Q.ta Q.ty Q.té M.ge	DENOMINAZIONE	DESCRIPTION	DESIGNATION	BEZEICHNUNG	
	1	17 71 24 00	1	Generatore alternatore	Alternator	Alternateur	Drehstromgenerator	
	2	98 62 02 45	3	Vite	Screw	Vis	Schraube	
	3	95 02 11 05	8	Rosetta elastica dentellata	Tooth washer	Rondelle dentée	Zahnscheibe	
	4	17 71 99 00	1	Gruppo revisione generatore	Alternator kit	Kit de l'alternateur	Generator - Rep. Satz	
	5	14 70 40 50	1	Piastrina	Fastener clip	Arrêteur	Halter	
	6	17 71 84 50	2	Cavi A.T. dx e sx	R.H. - L.H. H.T. wire	Câble H.T. D et G	H.S. Leitung, R. und L.	
	7	14 71 76 00	2	Cappuccio protezione	Protective cap	Capuchon protecteur	Schutzkappe	
	8	14 71 74 00	2	Attacco cavi candele	Spark plug cap	Embout de bougie	Zundkerzenstecker	
	9	18 71 70 50	2	Candela di accensione	Spark plug	Bougie	Zundkerze	
	10	14 71 65 00	2	Bobina di accensione	Ignition coil	Bobine d'allumage	Zündspule	
	11	14 74 77 00	1	Cavo bobina 1 a bobina 2	Coil 1 - coil 2 wire	Câble bobine 1 - bobine 2	Zündspule 1-2 Kabel	
	12	98 05 23 45	2	Vite	Screw	Vis	Schraube	
	13	95 10 01 25	2	Rosetta	Washer	Rondelle	Scheibe	
	14	91 18 07 18	2	Distanziale	Spacer	Entretoise	Distanzstück	
	15	95 00 02 06	2	Rosetta piana	Washer	Rondelle	Scheibe	
	16	92 60 22 06	4	Dado autobloccante	Self-locking nut	Ecrou à autoblocage	Hutmutter	
	17	29 70 38 00	1	Regolatore "Bosch"	"Bosch" regulator	Régulateur "Bosch"	Spannungsregler "Bosch"	
	18	98 05 43 20	1	Vite	Screw	Vis	Schraube	
	19	98 05 43 14	6	Vite	Screw	Vis	Schraube	
	20	95 00 02 06	2	Rosetta	Washer	Rondelle	Scheibe	
	21	14 71 67 50	1	Piastrina	Fastener clip	Arrêteur	Halter	
	22	19 73 53 00	1	Commutatore d'accensione	Ignition switch, complete	Contacteur d'allum. compl.	Zundschalter, kpl.	
	23	14 71 24 59	1	Vite fissaggio ruttore	Screw	Vis	Schraube	
	25	19 70 71 00	1	Cappuccio	Cap	Capuchon	Kappe	
	26	19 73 33 50	1	Protezione motorino	Protection	Protection	Schutz	
	27	29 73 68 00	1	Gruppo combinato	Ignition switch, complete	Contacteur d'allum. compl.	Zundschalter, kpl.	
	28	17 70 43 00	1	Raddrizzatore	Rectifier	Redresseur	Gleichrichter	
	29	14 70 42 05	2	Coperchio raddrizzatore	Cover	Couvercle	Deckel	
	30	98 30 50 17	4	Vite	Screw	Vis	Schraube	
	31	95 10 00 59	2	Rosetta grande	Washer	Rondelle	Scheibe	
	32	95 00 02 05	3	Rosetta piana	Washer	Rondelle	Scheibe	
	33	92 60 22 05	4	Dado per viti	Nut	Ecrou	Mutter	
	34	17 74 85 00	1	Cavo massa raddrizzatore	Earthing wire	Câble de masse	Massaleitung	
	35	28 70 45 50	1	Accumulatore 12V - 24 Ah	Battery 12V - 24 Ah	Batterie 12V - 24 Ah	Batterie 12V - 24 Ah	
	35	28 70 45 51	1	Accumulatore 12V - 23 Ah	Battery 12V - 23 Ah	Batterie 12V - 23 Ah	Batterie 12V - 23 Ah	
	36	28 70 70 50	1	Vaschetta accumulatore	Battery holder	Plateau de batterie	Batterieplatte	
	37	28 70 48 50	1	Staffa fissaggio batteria	Flexible clamp	Collier élastique	Elast. Klammer	
	38	29 70 55 00	1	Staffa fissaggio batteria	Flexible clamp	Collier élastique	Elast. Klammer	
	39	93 18 02 20	1	Tampone	Plug	Bouchon	Stopfen	
	40	14 74 84 50	2	Cavo batteria	Battery wire	Câble batterie	Batteriekabel	



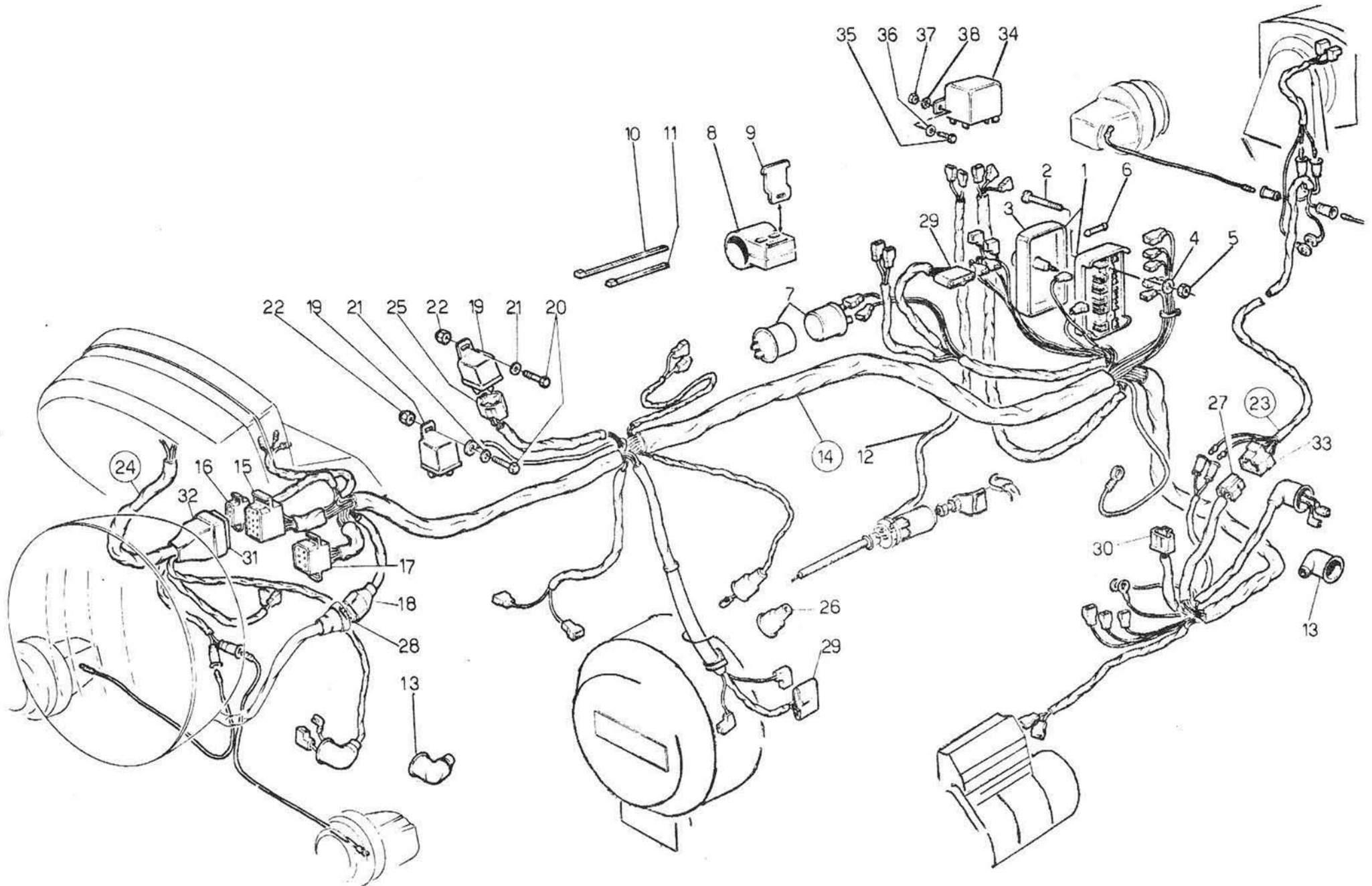
ACCENSIONE - DOTAZIONE IGNITION - KITS		ALLUMAGE - KITS ZÜNDUNG - REPARATURSATZ					Tavola - Drawing Table - Bild	22
NOTE NOTES NOTES MARKE	POS. N.	N. COD. CODE No. No. CODE CODE Nr.	Q.tà Q.ty Q.té M.ge	DENOMINAZIONE	DESCRIPTION	DESIGNATION	BEZEICHNUNG	
	41	25 70 67 00	1	Cappuccio morsetto	Dust cap	Pare-poussière	Staubkappe	
	43	98 05 42 10	1	Vite	Screw	Vis	Schraube	
	44	14 73 07 06	1	Motorino avviamento "Bosch"	"Bosch" starter	Demarreur "Bosch"	Starter "Bosch"	
	45	14 73 05 58	1	Interruttore completo	Switch, complete	Interrupteur complet	Schalter, kpl.	
	46	14 73 05 70	1	Gruppo revisione motor. avviam.	Starter kit	Kit de démarreur	Starter - Rep. Satz	
	47	98 05 24 80	2	Vite fissaggio motorino	Screw	Vis	Schraube	
	49	95 00 42 08	3	Rosetta	Washer	Rondelle	Scheibe	
	50	92 60 22 08	1	Dado	Nut	Ecrou	Mutter	
	51	17 71 54 50	1	Doppio ruttore con ant.	Distributor with regul.	Distributeur avec regul.	Zundverteiler mit Verst.	
	52	14 71 64 00	1	Guarnizione	Gasket	Joint	Dichtung	
	53	14 71 62 00	1	Ingranaggio completo	Helical gear wheel	Roue hélicoïdale	Schraubenrad	
	54	95 51 03 18	1	Spina	Pin	Goupille	Stift	
	55	14 71 57 00	1	Piastrina	Fastener clip	Arrêtoir	Halter	
	56	98 05 24 30	2	Vite	Screw	Vis	Schraube	
	57	14 61 59 01	2	Rosetta elastica	Spring washer	Rondelle elastique	Federring	
	58	91 18 09 07	2	Distanziale	Spacer	Entretoise	Distanzstück	
	59	14 71 54 20	1	Coperchio ruttore	Cover	Couvercle	Deckel	
	60	14 71 98 00	1	Gruppo revis. doppio rutt.	Distributor kit	Kit de distributeur	Zundverteiler Rep. Satz	
	61	17 92 99 00	1	Dotazione completa	Tool bag, complete	Trousse complète	Werkzeugtasche, kpl.	
	62	29 90 00 00	1	Libretto istruzioni (I)	Rider's handbook (I)	Manuel d'entretien (I)	Betriebsanleitung (I)	
	62	29 90 00 01	1	Libretto istruzioni (GB)	Rider's handbook (GB)	Manuel d'entretien (GB)	Betriebsanleitung (GB)	
	62	29 90 00 02	1	Libretto istruzioni (F)	Rider's handbook (F)	Manuel d'entretien (F)	Betriebsanleitung (F)	
	62	29 90 00 03	1	Libretto istruzioni (D)	Rider's handbook (D)	Manuel d'entretien (D)	Betriebsanleitung (D)	



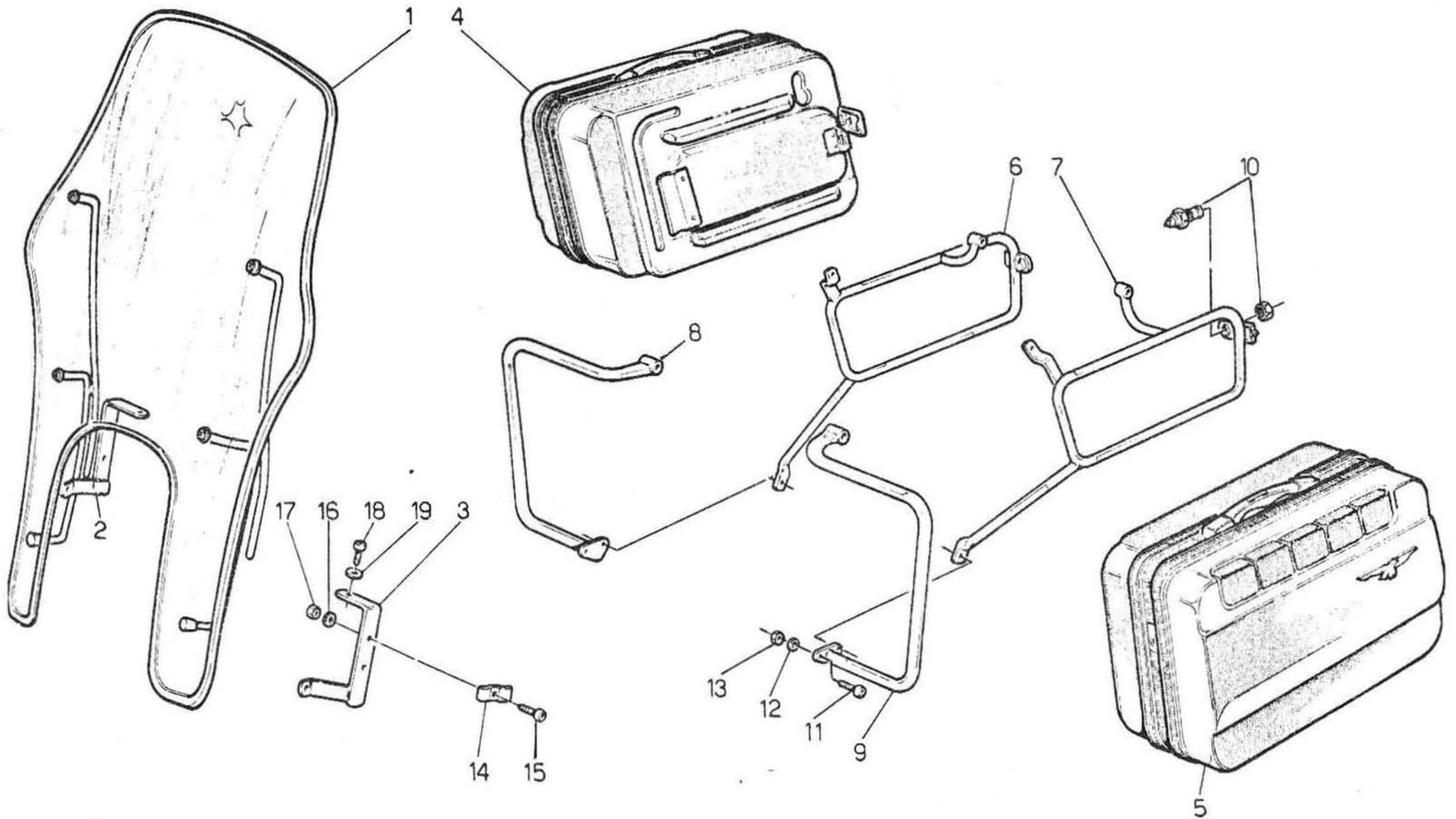
ILLUMINAZIONE - ACUSTICO LIGHTING - HORN		SIGNAL LUMINEUX - AVERTISSEUR ACOUST. BELEUCHTUNG - HUPE					Tavola - Drawing Table - Blid	23
NOTE NOTES NOTES MARKE	POS. N.	N. COD. CODE No. No. CODE CODE Nr.	Q.ta Q.ty Q.te M.ge	DENOMINAZIONE	DESCRIPTION	DESIGNATION	BEZEICHNUNG	
	1	29 74 05 00	1	Proiettore completo	Headlight, assy	Projecteur, complète	Scheinwerfer, kpl.	
	2	93 45 01 19	1	Lampada 12V - 4W	Bulb 12V - 4W	Ampoule 12V - 4W	Glühlampe 12V - 4W	
	3	93 45 02 32	1	Lampada 12V - 60/55W	Bulb 12V - 60/55W	Ampoule 12V - 60/55W	Glühlampe 12V - 60/55W	
	4	29 74 03 00	1	Ghiera per faro	Ring nut	Collier	Ring	
	7	29 74 04 00	1	Vetro con guarnizione	Glass with gasket	Glace avec joint	Lichtscheibe mit Dichtung	
	8	29 74 37 03	1	Tromba elettr. destra "Fiamm"	"Fiamm" R.H. horn	Avertisseur ac. D "Fiamm"	"Fiamm" Hupe, R.	
	9	29 74 37 02	1	Tromba elettr. sinistra "Fiamm"	"Fiamm" L.H. horn	Avertisseur ac. G "Fiamm"	"Fiamm" Hupe, L.	
	10	92 78 10 62	2	Dado fissaggio tromba	Nut	Ecrou	Mutter	
	11	95 02 11 08	2	Ranella per dado	Washer	Rondelle	Scheibe	
	12	63 75 13 21	1	Traverso porta lampada anteriore	Support	Traverse	Querträger	
	13	19 75 06 62	1	Lampegg. anteriore destro "CEV"	"CEV" R.H. front indicator	Clignotant AV D "CEV"	"CEV" Vorderblinker, D	
	13	19 75 06 53	1	Lampegg. anteriore sinistro "CEV"	"CEV" L.H. front indicator	Clignotant AV G "CEV"	"CEV" Vorderblinker, G	
	14	93 45 01 29	4	Lampada a bulbo 12V - 21W	Bulb 12V - 21W	Ampoule 12V - 21W	Glühlampe 12V - 21W	
	15	39 75 37 70	2	Catadiottro	Reflector	Catadioptré	Rückstrahler	
	16	92 60 24 11	2	Dado fissaggio lampeggiatori	Nut	Ecrou	Mutter	
	17	18 75 35 01	1	Traverso porta targa e lamp. post.	Support	Traverse	Querträger	
	18	14 47 49 01	1	Porta targa completo di fanalini post.	Number plate holder tail light	Support plaque de police avec feu AR	Nummerschildhalter mit Rücklicht	
	19	93 45 02 24	1	Lampada sfera 20/5W - 12V	Bulb 20/5W - 12V	Ampoule 20/5W - 12V	Glühlampe 20/5W - 12V	
	20	10 47 59 00	1	Basetta elastica	Rubber base	Caoutchouc	Gummistück	
	21	98 05 43 16	6	Vite	Screw	Vis	Schraube	
	22	95 00 02 06	8	Rosetta piana	Washer	Rondelle	Scheibe	
	23	92 63 01 06	6	Dado autobloccante	Self-locking nut	Ecrou à autoblocage	Hutmutter	
	24	10 47 46 00	1	Piastra porta targa	Number plate holder	Support plaque de police	Nummerschildhalter	
	26	93 11 00 60	3	Elemento elastico	Flexible element	Elément elastique	Federelement	
	27	95 10 01 41	2	Ranella	Washer	Rondelle	Scheibe	
	28	92 63 01 06	1	Dado autobloccante	Self-locking nut	Ecrou à autoblocage	Hutmutter	
	29	98 05 42 20	2	Vite superiore fissaggio piastra	Screw	Vis	Schraube	
	30	95 00 02 05	2	Rosetta per vite	Washer	Rondelle	Scheibe	
	31	95 10 00 59	4	Ranella di spessore	Washer	Rondelle	Scheibe	
	32	92 63 01 05	2	Dado autobloccante	Self-locking nut	Ecrou à autoblocage	Hutmutter	
	33	93 30 13 13	2	Cavallotto tenuta cavi	U-bolt	Etrier	Bügel schraube	
	36	92 60 22 06	2	Dado per vite	Nut	Ecrou	Mutter	
	37	17 75 16 52	1	Indicatore direz. posteriore destro	R.H. rear indicator	Clignotant AR D	Hinterblinker, R.	
	37	17 75 16 53	1	Indicatore direz. posteriore sinistro	L.H. rear indicator	Clignotant AR G	Hinterblinker, L.	
	38	14 01 84 00	4	Rosetta dentellata	Tooth washer	Rondelle dentée	Zahnscheibe	
	39	19 74 20 50	2	Dado fissaggio indicatori	Nut	Ecrou	Mutter	
	40	93 18 01 10	2	Tappo tenuta acqua	Plug	Bouchon	Stopfen	
	41	98 05 44 16	2	Vite fissaggio tromba	Screw	Vis	Schraube	
	42	17 74 17 01	1	Catadiottro	Reflector	Catadioptré	Rückstrahler	



ILLUMINAZIONE - ACUSTICO LIGHTING - HORN		SIGNAL LUMINEUX - AVERTISSEUR ACOUST. BELEUCHTUNG - HUPE					Tavola - Drawing Table - Blid	23
NOTE NOTES NOTES MARKE	POS. N.	N. COD. CODE No. No. CODE CODE Nr.	Q.ta Q.ty Q.té M.ge	DENOMINAZIONE	DESCRIPTION	DESIGNATION	BEZEICHNUNG	
	43	17 74 09 00	1	Fanalino completo	Tail light, complete	Feu AR complet	Rücklicht, kpl.	
	44	39 75 37 71	2	Coppa per indicatori posteriori	Rear indicator glass	Glace pour clignotant AR	Hint. Lichtscheibe	
	45	98 05 45 20	1	Vite fissaggio proiettore	Screw	Vis	Schraube	
	46	95 10 02 55	1	Ranella	Washer	Rondelle	Scheibe	
	47	17 74 04 01	1	Zoccolo	Socket	Douille	Hülse	
	48	17 75 58 60	1	Blocchetto a 4 vie	Key switch	Commutateurs à clé	Umschalter mit Schl.	
	49	14 60 96 50	2	Fascetta fissaggio cavi	Clamp	Collier	Schelle	
	50	29 74 69 00	1	Gruppo cavi da cablaggio principale a proiettore	Cables, assy	Ensemble de câbles	Kabelsatz	
	51	17 75 57 60	1	Cappuccio	Cap	Capucon	Kappe	



IMPIANTO ELETTRICO ELECTRICAL EQUIPMENT		INSTALLATION ELECTRIQUE ELEKTRISCHE ANLAGE					Tavola - Drawing Table - Bild	24
NOTE NOTES NOTES MARKE	POS. N.	N. COD. CODE No. No. CODE CODE Nr.	Q.tà Q.ty Q.té M.ge	DENOMINAZIONE	DESCRIPTION	DESIGNATION	BEZEICHNUNG	
	1	17 74 30 00	1	Morsettiera porta fusibili	Fuse box	Boîte à fusible	Sicherungsdose	
	2	98 20 25 30	2	Vite fissaggio morsettiera	Screw	Vis	Schraube	
	3	17 74 31 00	1	Coperchio	Cover	Couvercle	Deckel	
	4	95 00 02 05	2	Ranella per vite	Washer	Rondelle	Unterlegscheibe	
	5	92 63 01 05	2	Dado per vite	Nut	Ecrou	Mutter	
	6	17 74 25 50	6	Fusibile (16 A)	Fuse (16 A)	Fusible (16 A)	Schmelzeinsatz (16 A)	
	7	17 75 05 20	2	Intermittenza	Intermittence	Centrale clignotants	Intermittenz	
	8	17 75 12 00	1	Sostegno antivibr. per intermittenza	Holder	Support	Halter	
	9	17 75 04 00	1	Squadretta attacco sostegno	Bracket	Etrier	Stütze	
	10	14 60 96 50	19	Fascetta fissaggio cavi	Clamp	Collier	Klemme	
	11	49 60 96 01	1	Fascetta fissaggio cavi	Clamp	Collier	Klemme	
	12	17 74 80 50	1	Gruppo cavi interm. filo frizione a tel.	Cable from clutch to relay	Fil d'embrayage au relais	Leitung von Kupplung zu Relais	
	13	12 73 51 00	2	Cappuccio	Protective cap	Capuchon	Schutzkappe	
	14	14 74 71 55	1	Gruppo principale cavi completo	Cable, assy	Ensemble de câbles, compl.	Kabelsatz, kpl.	
	15	14 75 61 51	1	Blocchetto a 15 vie	Cable connector	Bague de liaison	Kabelverbinder	
	16	14 75 58 55	1	Blocchetto a 4 vie	Cable connector	Bague de liaison	Kabelverbinder	
	17	19 72 31 00	1	Blocchetto a 12 vie	Cable connector	Bague de liaison	Kabelverbinder	
	18	17 75 60 60	1	Cappuccio	Protective cap	Capuchon	Schutzkappe	
	19	19 73 25 00	2	Teleruttore per lampegg. e trombe	Flash and horn relay	Relais pour appel phare et avertisseur acoustique	Blinker und Huperelais	
	20	98 05 42 14	2	Vite fissaggio teleruttore	Screw	Vis	Schraube	
	21	95 00 02 05	2	Ranella per vite	Washer	Rondelle	Scheibe	
	22	92 63 01 05	2	Dado autobloccante	Self-locking nut	Ecrou à autoblocage	Hutmutter	
	23	29 74 76 00	1	Gruppo cavi	Cabel set	Ensemble de câbles	Kabelsatz	
	24	29 74 72 00	1	Gruppo cavi da gruppo principale a cruscotto	Cable from main group to instrument panel	Fil de groupe principal au tableau de bord	Leitung von Hauptkabel zu Instrumentenbrett	
	25	19 73 24 00	1	Connettore	Connection	Branchement	Steckdose	
	26	12 71 76 00	1	Cappuccio	Protective cap	Capuchon	Schutzkappe	
	27	14 75 62 50	1	Blocchetto Amp. a 3 vie	Cable connector	Bague de liaison	Kabelverbinder	
	28	17 75 61 60	1	Connettore Amp. a 4 vie	Cable connector	Bague de liaison	Kabelverbinder	
	29	61 71 25 00	2	Connettore	Connection	Branchement	Steckdose	
	30	61 71 26 00	1	Connettore	Connection	Branchement	Steckdose	
	31	14 75 62 51	1	Connettore	Connection	Branchement	Steckdose	
	32	17 75 60 00	1	Cappuccio	Protective cap	Capuchon	Schutzkappe	
	33	14 75 61 52	1	Connettore	Connection	Branchement	Schutzkappe	
	34	12 73 25 00	1	Teleruttore avviamento	Starter relay	Relais de démarrage	Startrelais	
	35	98 05 42 10	1	Vite	Screw	Vis	Schraube	
	36	95 00 02 05	1	Rosetta piana	Washer	Rondelle	Scheibe	
	37	92 60 22 05	1	Dado per viti	Nut	Ecrou	Mutter	
	38	95 02 11 05	1	Rosetta elastica dentellata	Spring washer	Rondelle dentée	Zahnscheibe	



PARABREZZA - BORSE - PARAURTI POST. WINDSCREEN - BAGS - REAR BAR		PARE-BRISE - SACS - PARE-CHOC AR WINDSCHUTZSCH. - TASCHE - H.STOSSSTANGE					Tavola - Drawing Table - Bild	25
NOTE NOTES NOTES MARKE	POS. N.	N. COD. CODE No. No. CODE CODE Nr.	Q.tà Q.ty Q.té M.ge	DENOMINAZIONE	DESCRIPTION	DESIGNATION	BEZEICHNUNG	
	1	29 57 72 00	1	Parabrezza completo	Windscreen, compl.	Pare-brise, compl.	Windschutzscheibe, kpl.	
	2	29 50 68 00	1	Staffa dx. porta parabrezza	R.H. bracket	Etrier D	Stütze R.	
	3	29 50 69 00	1	Staffa sx. porta parabrezza	L.H. bracket	Etrier G	Stütze L.	
	4	29 48 25 00	1	Borsa laterale dx.	R.H. side bag	Sac lateral D	Seitentasche R.	
	5	29 48 57 00	1	Borsa laterale sx.	L.H. side bag	Sac lateral G	Seitentasche L.	
	6	29 48 50 00	1	Portaborse laterale dx.	R.H. side bag holder	Porte-sac lateral D	Seitentascheträger, R.	
	7	29 48 65 00	1	Portaborse laterale sx.	L.H. side bag holder	Porte-sac lateral G	Seitentascheträger, L.	
	8	29 45 82 00	1	Paraurti posteriore dx.	R.H. rear bumper	Pare-choc AR D	Hinterstosstange, R.	
	9	29 45 88 00	1	Paraurti posteriori sx.	L.H. rear bumper	Pare-choc AR G	Hinterstosstange, L.	
	10	29 48 61 00	1	Dispositivo per fissaggio borse	Clamping device	Dispositif de fixation	Befestigungsvorrichtung	
	11	98 82 24 20	2	Vite inf. fiss. paraurti	Screw	Vis	Schraube	
	12	95 02 11 08	4	Ranella elast. dentellata	Spring washer	Rondelle elastique	Federscheibe	
	13	92 60 22 08	4	Dado fiss. paraurti	Nut	Ecrou	Mutter	
	14	18 57 84 51	4	Staffa fiss. supporti	Bracket	Etrier	Stütze	
	15	98 07 44 25	4	Vite fiss. staffa	Screw	Vis	Schraube	
	16	95 02 11 08	4	Ranella dentellata	Tooth washer	Rondelle dentée	Zahnscheibe	
	17	92 60 12 08	4	Dado	Nut	Ecrou	Mutter	
	18	98 82 24 20	2	Vite fiss. staffa a "T"	Screw	Vis	Schraube	
	19	95 00 12 08	2	Rondella per vite	Washer	Rondelle	Scheibe	
		29484000		<i>Saddle bag lock with rivets + bag</i>				

VARIANTI GERMANIA
MODIFICATIONS GERMANY

VARIANTES ALLEMAGNE
UMÄNDERUNGEN DEUTSCHLAND

Tavola - Drawing
Table - Bild **26**

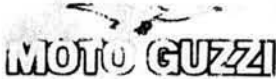
NOTE NOTES NOTES MARKE	POS. N.	N. COD. CODE No. No. CODE CODE Nr.	Q.tà Q.ty Q.té M.ge	DENOMINAZIONE	DESCRIPTION	DESIGNATION	BEZEICHNUNG
Tavola/Drawing/Table/Bild 21 - Coord D12/D14 - Freno anteriore sinistro e posteriore - Comandi - Rear - front L.H. brake - Controls Frein AV et AR - Commandes - Hint. L. Vord. Bremse K. Geräte							
—		14 66 85 55	1	Valvola regolaz. pressione olio circuito frenante integrale	Regulation valve	Soupape	Regelventil
—		18 65 85 60	1	Tubazione colleg. pompa posteriore a valvola	Flexible hose	Tuyau flexible	Bremsschlauch
—		18 65 30 60	1	Pinza freno posteriore Ø 48	Rear brake caliper	Etrier frein AR	Hint. Bremsesattel
—		18 65 46 60	1	Coppia pastiglie pinza post. (Ferit I/D 334 FG)	Rear caliper, pads pair (Ferit I/D 334 FG)	Couple de patins etrier AR (Ferit I/D 334 FG)	Hint. Fests., Bremsbelag Paar (Ferit I/D 334 FG)
—		17 65 92 60	1	Gruppo revisione spurgo	Screw kit	Kit de vis	Schrauben Rep. Satz
—		18 65 91 50	1	Gruppo revisione pastiglie pinza posteriore	Pin kit	Kit de pivot	Bremsbelag Rep. Satz
—		18 65 90 50	1	Gruppo revisione pinza post.	Seal kit	Kit de joint	Dichtung Rep. Satz

Tavola/Drawing/Table/Bild 25 - Coord. E10 - Parabrezza - Borse - Paraurti posteriore - Windscreen - Bags - Rear bar
Pare-brise - Sacs - Pare-choc AR - Windschutzsch. - Tasche - Hinterstosstange

—		29 57 72 01	1	Parabrezza completo	Windscreen, complete	Pare-brise, complet	Windschutzscheibe, kpl.
—		29 76 94 00	2	Specchio retrovisore destro/sinistro	R.H. - L.H. driving mirror	Rétroviseur D - G	Rückblickspegel, R. - L.

E12

VARIANTI INGHILTERRA MODIFICATIONS ENGLAND		VARIANTES ANGLETERRE UMÄNDERUNGEN ENGLAND					Tavola - Drawing Table - Bild	27
NOTE NOTES NOTES MARKE	POS. N.	N. COD. CODE No. No. CODE CODE Nr.	Q.tà Q.ty Q.té M.ge	DENOMINAZIONE	DESCRIPTION	DESIGNATION	BEZEICHNUNG	
Tavola/Drawing/Table/Bild 23 - Coord. E4/E6 - Illuminazione - Acustico - Lighting - Horn Signal lumineux - Avertisseur acoust. - Beleuchtung - Hupe								
—		29 74 05 30	1	Proiettore asimmetrico per guida a sinistra	Headlight for left-hand side	Projecteur pour conduite à gauche	Scheinwerfer für Linksklenkung	



BENELLI/MOTO GUZZI NORTH AMERICA

IMPORTER/DISTRIBUTOR OF ITALIAN MOTORCYCLES

1501 Caton Avenue
Baltimore, Maryland 21227
(301) 646-3635

BULLETIN #BMG84-002

DATE: May 3, 1984

TO: All Dealers

RE: Modifications to "New Type" V-1000 California II
(From Serial #VT100167)

Listed below are modifications to California II motorcycles
constructed after January 1984, for the United States:

<u>Dlr.</u>	<u>Retail</u>	<u>TABLE</u>	<u>POSITION #</u>	<u>PART #</u>	<u>QNTY.</u>	<u>DESCRIPTION</u>
71.82	143.64	14	22	29422120	1	Left Hand Arm <i>\$ 143.64</i>
		14	23	29420320	1	Right Hand Arm <i>\$ 71.82</i>
		15	13	29460520	1	Seat with Handgrip <i>\$ 45.89⁹⁹</i>
		15	14	29466520	1	Parcel Grip <i>\$ 155.57</i>
		Not Illustrated		29487620	1	Rear Trunk <i>\$ 259.29</i>
						<i>\$ 82.50</i>
						<i>\$ 164.99</i>
						<i>\$ 166.97</i>
						<i>\$ 221.58</i>

GIUGNO 1984
DATA

CALIFORNIA II - USA

17 E_G
N° PROGR.

1/5
PAGINA

Varianti da apportare al catalogo ricambi
bi, microfiche cod. 29 92 00 01 : Changes to the spare parts catalogue,
microfiche code 29 92 00 01 :

TAV. 2 - coord. A3-A4

Pos.	Codice/Code	Q.tà/Q.ty	Denominazione/Description
1	29 11 26 20	1	Carburatore destro (DELL'ORTO PHF 30 DD) R.H. Carburettor (DELL'ORTO PHF 30 DD)
2	29 11 26 21	1	Carburatore sinistro (DELL'ORTO PHF 30 DS) L.H. Carburettor (DELL'ORTO PHF 30 DS)
3	29 11 75 20	2	Trasmissione comando gas Throttle cable
13	29 11 50 20	2	Pipa aspirazione Manifold
-	14 11 43 50	2	Manicotto Sleeve

TAV. 4 - coord. A9-A10

9	17 12 09 65	1	Tubo di scarico destro R.H. exhaust pipe
10	17 12 09 66	1	Tubo di scarico sinistro L.H. exhaust pipe
-	98 11 00 10	2	Vite per pasticca Pad screw

TAV.12 - coord. C3-C4

42	29 25 08 20	1	Leva comando cambio con boccia Shift lever and bush
----	-------------	---	--

TAV.13 - coord. C5-C6 (see picture encl.)

1	29 40 01 20	1	Telaio Frame
21	29 47 96 20	1	Contenitore attrezzi Tool box
35	29 46 24 20	1	Piastra scorrevole Bracket
36	29 46 25 20	1	Piastra scorrevole Bracket
37	29 46 31 20	1	Molla Spring
38	98 25 05 16	2	Vite Screw

GIUGNO 1984

CALIFORNIA II - USA

17 E/G.
N° PROGR.2/5
PAGINA

DATA

TAV.14 - coord. C7-C8

Pos.	Codice/Code	Q.tà/Q.ty	Denominazione/Description
4	29 43 20 20	1	Braccio laterale Side stand
22	29 42 03 20	1	Braccio destro R.H. arm
23	29 42 21 20	1	Braccio sinistro L.H. arm

TAV.15 - coord. C11 (see picture encl.)

13	29 46 05 20	1	Sella completa di maniglione Seat with handgrip
26	29 46 43 20	1	Maniglione sella Handgrip
37	29 46 29 20	1	Puntone chiavistello Support
38	92 60 22 10	2	Dado Nut
39	27 46 87 20	1	Serratura per sella Lock
40	98 05 42 16	2	Vite Screw
41	95 00 02 05	2	Rondella Washer
42	92 63 01 05	2	Dado Nut

TAV.16 - coord. C15-C16

18	98 05 24 55	2	Vite fissaggio parafango posteriore Screw
----	-------------	---	--

TAV.18 - coord. D 5-D 6

3	28 76 24 51	1	Tachimetro contamiglia (Mph) Speedometer miles (Mph)
---	-------------	---	---

TAV.22 - coord. D15-D16

27	27 73 68 20	1	Gruppo combinato serrature Ignition switch, complete
----	-------------	---	---

GIUGNO 1984
DATA

CALIFORNIA II - USA

17 E/G
N° Progr.

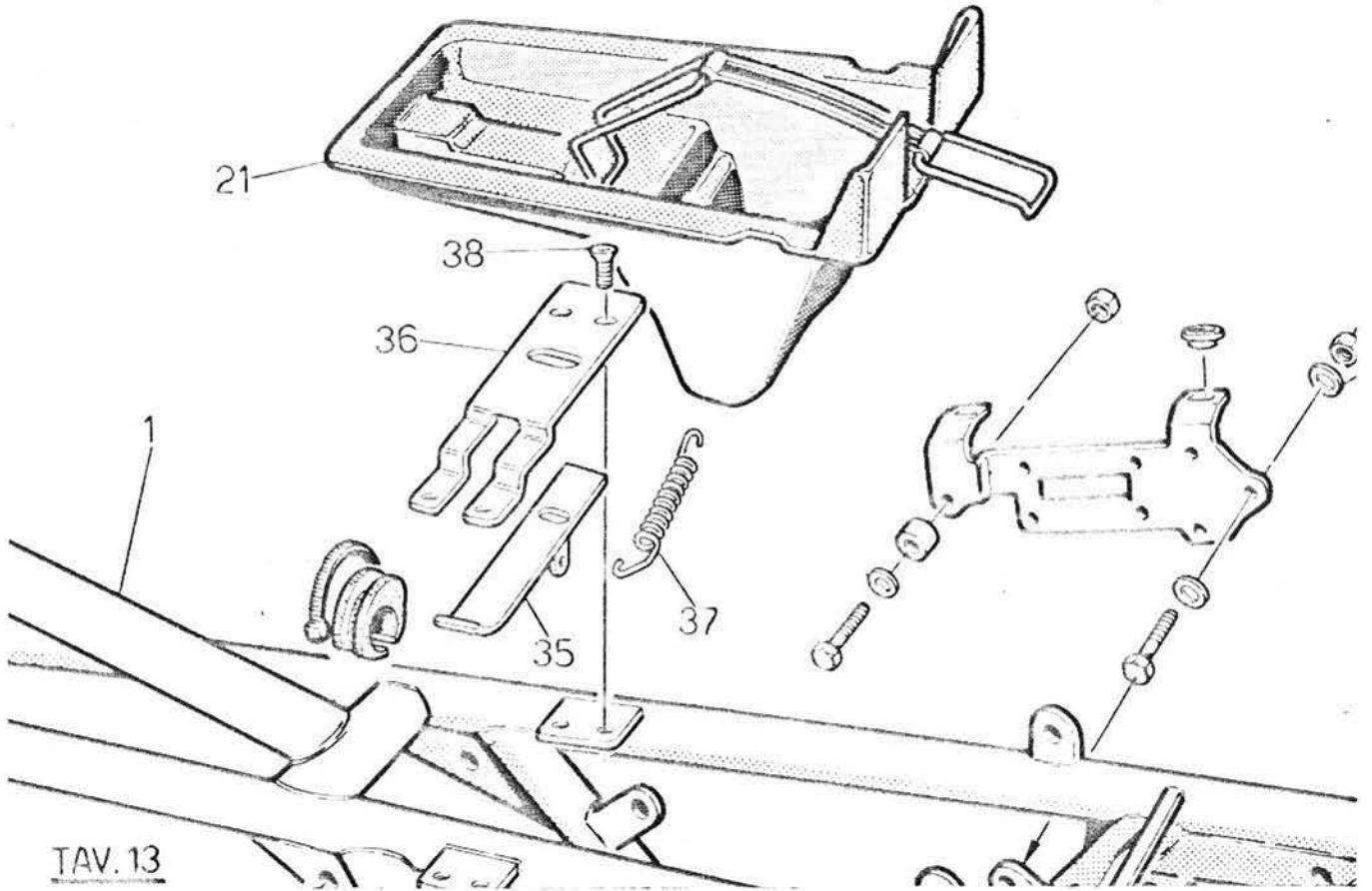
3/5
PAGINA

TAV.23 - coord. E3-E4

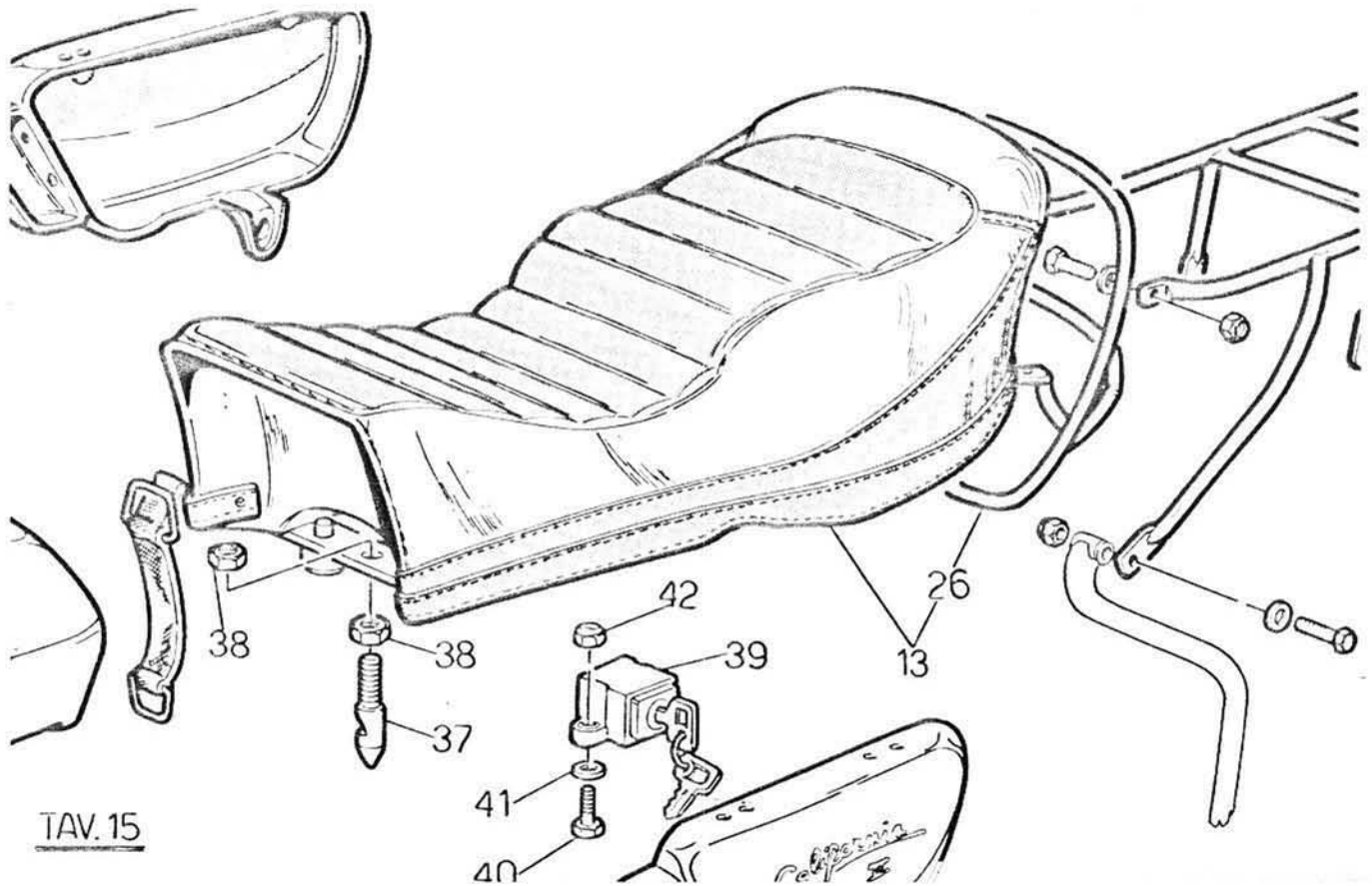
Pos.	Codice/Code	Q.tà/Q.ty	Denominazione/Description
13	14 75 06 82	2	Indicatore direzione anteriore Front indicator
37	14 75 16 82	2	Indicatore direzione posteriore Rear indicator

TAV.25 - coord. E3-E10 (see picture encl.)

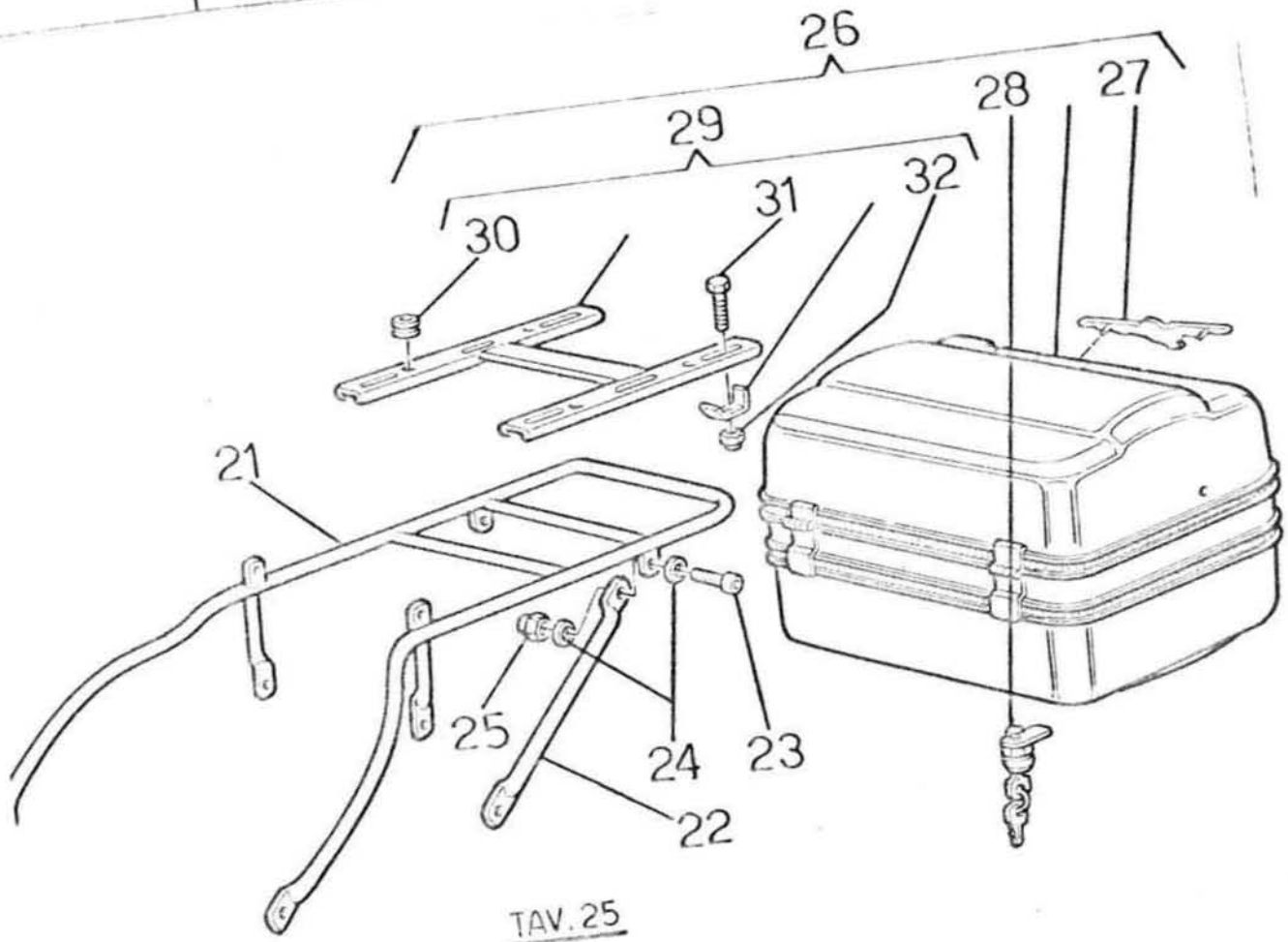
21	29 46 65 20	1	Portapacchi Parcel grid
22	29 46 73 20	2	Puntone di rinforzo Support
23	98 05 43 16	2	Vite Screw
24	95 00 42 06	4	Rondella Washer
25	92 78 10 81	2	Dado Nut
26	29 48 76 20	1	Bauletto posteriore Rear bag
27	29 48 20 00	3	Marchio "aquila" Eagle mark
28	29 75 38 21	1	Serratura per bauletto posteriore Bag lock
29	29 75 38 22	1	Supporto per bauletto posteriore Support bag
30	91 55 10 82	4	Commino sul supporto Rubber
31	98 05 23 35	4	Vite Screw
32	92 60 22 06	4	Dado Nut



TAV. 13



TAV. 15



TAV. 25