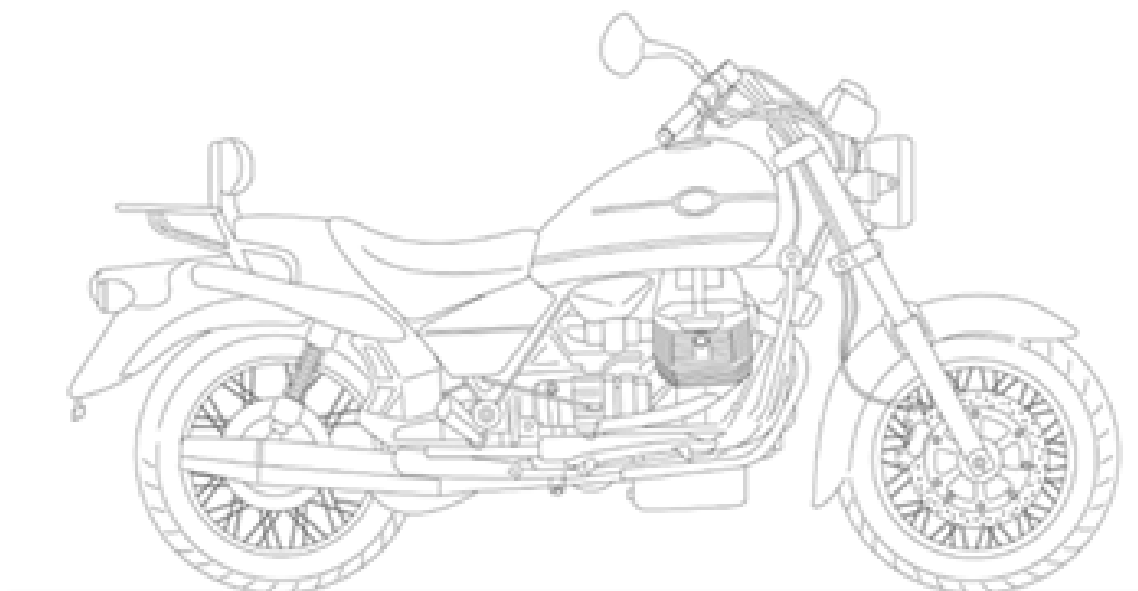




PIAGGIO & C.s.p.a.



## SPARE PARTS CATALOGUE



### California Classic-Touring 1100 2006-2008

Chassis prefix: ZGUKDE, ZGUKDG

Engine prefix:

*CALIFORNIA*

**GU080**



## Index

Finished products.....	4
Alphanumeric index.....	5
FRAME.....	12
Table 33.01 - Frame.....	12
Table 33.02 - Craddle arm-Foot rests.....	14
Table 33.03 - Gear lever.....	16
Table 33.04 - Stands.....	17
Table 33.05 - Fuel tank.....	19
Table 33.06 - Saddle-Central bod.....	21
Table 33.07 - Front mudguard.....	23
Table 33.08 - Rear mudguard.....	24
Table 33.09 - Luggage rack.....	25
Table 33.10 - TOURING Windshield.....	26
Table 33.11 - Toe guard TOURING.....	27
Table 33.12 - Touring Side cases.....	28
Table 33.13 - 45 L top box TOURING.....	30
Table 33.14 - F.fork-R.shock absorber.....	31
Table 33.15 - Front fork.....	33
Table 33.16 - Transmission complete I.....	36
Table 33.17 - Transmission complete II.....	37
Table 33.18 - Fuel supply.....	39
Table 33.19 - Fuel pump.....	40
Table 33.20 - Air box.....	41
Table 33.21 - Exhaust unit.....	42
Table 33.22 - Front wheel.....	43
Table 33.23 - Rear wheel.....	44
Table 33.24 - RH Front brake system.....	45
Table 33.25 - LH Front brake system.....	46
Table 33.26 - Rear brake caliper.....	48
Table 33.27 - Rear master cylinder.....	49
Table 33.28 - Handlebar - Controls.....	51
Table 33.29 - Dashboard.....	53
Table 33.30 - Front lights.....	55
Table 33.31 - Rear lights.....	56
Table 33.32 - Electrical systeme.....	58
Table 33.33 - Electrical system.....	60
Table 33.34 - Plate set-decal-op.handbooks.....	62
Table 33.35 - Lock hardware kit.....	63
ENGINE.....	64
Table 34.36 - Crank-case.....	64
Table 34.37 - Heads I.....	66
Table 34.38 - Heads II.....	68
Table 34.39 - Crankshaft - Piston.....	70



---

Table 34.40 - Timing system.....	72
Table 34.41 - Oil pump I.....	73
Table 34.42 - Oil pump II.....	75
Table 34.43 - Clutch.....	76
Table 34.44 - Transmission cage.....	77
Table 34.45 - Primary gear shaft.....	79
Table 34.46 - Driven shaft.....	80
Table 34.47 - Generator - Regulator.....	82
Table 34.48 - Starter motor.....	83
Table 34.49 - Starter motor cover.....	84
Table 34.50 - Throttle body.....	85
SPECIAL TOOLS.....	86
Table 36.51 - Special tools.....	86



## Finished products

Code	Validity
GU9032585AU601	
GU9032585AU602	
GU9032585AU603	
GU9032585AU704	
GU9032585EU501	
GU9032585EU600	
GU9032585EU601	
GU9032585EU602	
GU9032585EU603	
GU9032585EU700	
GU9032585EU704	
GU9032585GB600	
GU9032585GB601	
GU9032585GB602	
GU9032585GB603	
GU9032585GB700	
GU9032585GB704	
GU9032585JP601	
GU9032585JP602	
GU9032585JP603	
GU9032586AU601	
GU9032586AU602	
GU9032586EU601	
GU9032586EU602	
GU9032586EU603	
GU9032586GB601	
GU9032586GB602	
GU9032586GB603	
GU9032586JP601	
GU9032586JP602	



Code	No. table	Pos.	Code	No. table	Pos.	Code	No. table	Pos.
0000000	34.48	5	977244	33.06	4	GU01037030	34.38	10
0000000	34.48	6	977245	33.06	8	GU01038060	34.37	13
0000000	34.48	7	977246	33.06	8	GU01038060	34.38	13
0000000	34.48	8	977247	33.06	8	GU01038160	34.37	14
224202	34.38	37	977248	33.12	19	GU01038160	34.38	14
277916	34.42	2	977249	33.12	19	GU01038730	34.37	10
825597	34.38	38	977250	33.05	1	GU01051730	34.40	8
825597	34.39	23	977272	33.05	1	GU01054001	34.40	5
849131	34.39	14	977273	33.05	1	GU01062030	34.39	16
883155	33.14	24	977274	33.07	1	GU01062031	34.39	16
883157	33.14	25	977275	33.07	1	GU01062032	34.39	16
883704	33.21	22	977276	33.31	1	GU01062033	34.39	16
969973	34.37	41	977277	33.31	1	GU01062230	34.39	14
969973	34.38	44	977278	33.12	16	GU01106090	33.19	2
976003	34.39	13	977279	33.12	17	GU01106692	33.18	4
976026	34.50	8	977280	33.12	16	GU01107490	33.19	4
976031	34.39	12	977281	33.12	17	GU01108490	33.19	5
976049	34.50	9	977283	33.34	1	GU01121030	33.21	5
976064	34.39	9	977284	33.34	1	GU01474630	33.31	18
976066	33.21	1	977285	33.34	2	GU01517700	33.14	21
976067	33.21	2	977286	33.34	2	GU01517700	34.49	2
976068	34.37	40	977287	33.34	3	GU01528930	33.17	9
976068	34.38	43	977288	33.34	4	GU01528930	34.44	26
976079	34.38	1	977289	33.34	3	GU01530500	34.50	3
976080	34.38	2	977290	33.34	4	GU01530504	34.50	2
976087	34.38	20	977294	33.34	3	GU01609630	33.28	11
976094	34.36	15	977295	33.34	4	GU01652230	33.25	1
976107	34.38	28	977360	33.34	5	GU01652330	33.24	16
976109	34.36	1	977364	33.34	5	GU01654630	33.24	20
976115	34.39	17	977373	33.34	10	GU01654630	33.25	4
976121	34.36	1	977387	33.33	26	GU01659130	33.24	22
976134	34.42	1	977388	33.32	41	GU01659130	33.25	6
976139	34.37	38	977398	33.14	8	GU01659131	33.24	23
976139	34.38	41	977582	33.21	25	GU01659131	33.25	31
976144	34.37	3	977632	33.34	11	GU01659230	33.24	21
976144	34.38	3	977633	33.34	11	GU01659230	33.25	5
976152	34.38	22	977634	33.34	11	GU01721600	33.32	16
976153	34.38	36	978480	33.34	11	GU01722700	33.32	20
976165	34.42	3	AP8102764	34.41	29	GU01722701	33.32	20
976168	34.42	10	AP8120870	33.21	24	GU01722702	33.32	20
976171	34.39	16	AP8121804	33.21	27	GU01722703	33.32	20
976172	34.39	16	AP8124235	33.33	31	GU01722704	33.32	20
976181	34.38	10	AP8124768	33.33	5	GU01722705	33.32	20
976188	34.39	17	AP8144222	33.15	6	GU01732530	33.32	3
976196	34.39	1	AP8144538	33.10	16	GU01732530	33.33	21
976448	34.42	6	AP8144538	33.33	27	GU01743790	33.30	19
976450	34.36	15	AP8152273	33.18	2	GU01743791	33.30	20
976915	34.36	39	AP8152277	33.14	22	GU01744200	33.30	24
977223	33.06	4	AP8152278	33.14	19	GU01756100	33.30	3
977224	33.06	4	AP8152280	34.36	16	GU01756220	33.30	6
977225	33.06	4	AP8152282	34.36	17	GU01766031	33.29	18
977226	33.06	8	AP8152282	34.47	12	GU01782500	33.29	6
977227	33.06	8	GU00155930171	33.08	3	GU01782500	33.35	2
977228	33.06	8	GU00823931055	33.02	14	GU02517700	34.36	18
977231	33.08	1	GU00823931055	33.05	22	GU02746900	33.30	2
977232	33.08	1	GU00823931055	33.06	3	GU02747901	33.33	11
977233	33.31	16	GU00823931055	34.49	3	GU02762301	33.29	13
977234	33.31	16	GU00823931080	33.01	17	GU02764000	33.29	12
977235	33.32	2	GU00823944050	33.05	24	GU02766300	33.29	31
977236	33.11	1	GU00823944050	33.20	17	GU02768200	33.29	28
977237	33.11	1	GU00823950050	33.27	11	GU02768400	33.29	29
977238	33.10	1	GU00823952080	33.18	6	GU02768600	33.29	7
977239	33.10	1	GU00823956080	33.20	12	GU03001600	34.36	21
977240	33.11	2	GU00823956080	34.41	30	GU03003555	34.36	26
977241	33.11	2	GU00823956080	34.44	28	GU03007260	34.41	31
977242	33.06	4	GU00979726	33.12	14	GU03013800	33.01	18
977243	33.06	4	GU01037030	34.37	28	GU03013800	33.02	22



Code	No. table	Pos.	Code	No. table	Pos.	Code	No. table	Pos.
GU03013800	33.03	8	GU03270300	33.01	9	GU03468210	33.09	6
GU03013800	33.04	2	GU03270300	33.02	25	GU03469200	33.01	12
GU03013800	33.10	15	GU03270300	33.03	22	GU03471801	33.06	19
GU03013800	33.14	28	GU03270300	33.04	30	GU03471810	33.06	16
GU03013800	33.20	7	GU03270300	33.09	5	GU03472400	33.05	16
GU03013800	33.23	17	GU03270300	33.12	20	GU03472900	33.05	17
GU03013800	33.25	13	GU03270300	33.21	19	GU03474530	33.31	19
GU03013800	33.27	29	GU03270300	33.27	25	GU03475330	33.31	25
GU03013800	33.32	39	GU03328050	33.16	12	GU03475813	33.31	1
GU03013800	33.33	7	GU03336810	33.23	12	GU03475830	33.31	1
GU03022055	34.37	20	GU03400152	33.01	1	GU03475860	33.31	1
GU03023530	34.37	36	GU03420300	33.02	1	GU03475931	33.31	2
GU03023530	34.38	39	GU03422100	33.02	2	GU03476206	33.06	4
GU03067030	34.39	19	GU03429500	33.02	12	GU03476206Y07	33.06	4
GU03093070	33.28	21	GU03429600	33.04	12	GU03476306	33.06	8
GU03100270	33.05	1	GU03430311	33.04	1	GU03476306Y07	33.06	8
GU03100270Y07	33.05	1	GU03432070	33.04	3	GU03479545	33.01	20
GU03101600	33.05	8	GU03432740	33.04	22	GU03482000	33.13	3
GU03101720	33.05	9	GU03432970	33.04	4	GU03482070	33.12	4
GU03101900	33.05	4	GU03433270	33.04	5	GU03482071	33.12	18
GU03102200	33.05	7	GU03433400	33.04	9	GU03482570	33.12	2
GU03102400	33.05	6	GU03433470	33.04	21	GU03484000	33.12	12
GU03103070	33.19	3	GU03433850	33.04	25	GU03484001	33.12	13
GU03103200	33.05	10	GU03434011	33.04	6	GU03484001	33.13	8
GU03103500	33.05	5	GU03434070	33.04	18	GU03484370	33.12	19
GU03103970	33.05	3	GU03434300	33.07	1	GU03484371	33.12	19
GU03103970	33.35	3	GU03434313	33.07	1	GU03484470	33.12	16
GU03104370	33.05	23	GU03434360	33.07	1	GU03484471	33.12	16
GU03106170	33.19	6	GU03435200	33.07	2	GU03484570	33.12	17
GU03106400	33.05	2	GU03435300	33.07	5	GU03484571	33.12	17
GU03107270	33.18	1	GU03435400	33.07	3	GU03485070	33.12	5
GU03107270	33.19	1	GU03435500	33.07	6	GU03485770	33.12	3
GU03112560	34.50	1	GU03436300	33.07	9	GU03486570	33.12	6
GU03113360	34.50	15	GU03436300	34.49	6	GU03487501	33.13	1
GU03113460	34.50	16	GU03436400	33.07	7	GU03487600	33.13	2
GU03114370	34.50	7	GU03436500	33.07	8	GU03487802	33.13	5
GU03117545	33.28	6	GU03436600	33.07	12	GU03490270	33.14	1
GU03121230	33.21	16	GU03437110	33.08	1	GU03490601	33.15	52
GU03121955	33.21	22	GU03437112	33.08	1	GU03490701	33.15	53
GU03122965	33.21	15	GU03437113	33.08	1	GU03493100	33.15	7
GU03123065	33.21	10	GU03437430	33.08	6	GU03494000	33.15	11
GU03123470	33.21	9	GU03438030	33.08	10	GU03496150	33.30	8
GU03123471	33.21	17	GU03438830	33.31	23	GU03496250	33.30	11
GU03123955	33.21	8	GU03438831	33.31	24	GU03498100	33.15	8
GU03128601	33.21	11	GU03442200	33.02	24	GU03500260	33.15	4
GU03132845	33.28	14	GU03443510	33.02	15	GU03500660	33.15	2
GU03157460	34.41	27	GU03443555	33.02	9	GU03522501001	33.15	39
GU03158200	34.41	12	GU03443915	33.11	3	GU03522601001	33.15	43
GU03163330	33.32	35	GU03444015	33.11	4	GU03525400	33.15	19
GU03200255	34.44	1	GU03446010	33.02	17	GU03526600	33.15	18
GU03200855	34.44	11	GU03446900	33.02	3	GU03526601	33.15	58
GU03211160	34.45	8	GU03447070	33.02	8	GU03530270	33.14	9
GU03211260	34.45	9	GU03447410	33.02	4	GU03530504	33.15	12
GU03211660	34.45	11	GU03460510	33.06	1	GU03530505	33.15	13
GU03212000	34.45	17	GU03462345	33.01	24	GU03530506	33.15	14
GU03214500	34.46	13	GU03462801	33.05	19	GU03530507	33.15	15
GU03214800	34.46	11	GU03462801	33.06	14	GU03530508	33.15	16
GU03215100	34.46	5	GU03464010	33.06	2	GU03530509	33.15	17
GU03234400	34.46	20	GU03466672	33.09	1	GU03530510	33.15	20
GU03236250	34.46	32	GU03466770	33.09	11	GU03530511	33.15	21
GU03250870	33.03	1	GU03466910	33.06	12	GU03530512	33.15	22
GU03256800	33.03	11	GU03467310	33.06	11	GU03530513	33.15	23
GU03257602	33.03	9	GU03467343	33.01	39	GU03530514	33.15	24
GU03257801	33.03	20	GU03467410	33.06	9	GU03530515	33.15	25
GU03258250	33.03	21	GU03467411	33.06	10	GU03530516	33.15	26
GU03259100	33.03	7	GU03468010	33.09	2	GU03530517	33.15	27
GU03259100	33.27	26	GU03468100	33.09	7	GU03530518	33.15	28



Code	No. table	Pos.	Code	No. table	Pos.	Code	No. table	Pos.
GU03530519	33.15	29	GU03630670	33.23	1	GU03751631	33.30	14
GU03530520	33.15	30	GU03630710	33.23	23	GU03751631	33.31	7
GU03530521	33.15	31	GU03631411	33.23	5	GU03753170	33.31	28
GU03530522	33.15	32	GU03632770	33.23	25	GU03753170	33.33	10
GU03530523	33.15	33	GU03633370	33.23	11	GU03758471	33.31	16
GU03530524	33.15	34	GU03634010	33.23	4	GU03758472	33.31	16
GU03530525	33.15	35	GU03634110	33.23	19	GU03759150	33.04	29
GU03530526	33.15	36	GU03635701	33.23	9	GU03760074	33.29	2
GU03530527	33.15	37	GU03635811	33.26	6	GU03760075	33.29	2
GU03530528	33.15	38	GU03636110	33.23	7	GU03760465	33.29	4
GU03530529	33.15	41	GU03653001	33.26	1	GU03761570	33.29	1
GU03530530	33.15	42	GU03654600	33.26	2	GU03761970	33.29	15
GU03530531	33.15	44	GU03656200	33.25	20	GU03762070	33.29	14
GU03530532	33.15	45	GU03657101	33.24	13	GU03762370	33.29	10
GU03530533	33.15	46	GU03657500	33.26	7	GU03762470	33.29	1
GU03530534	33.15	47	GU03658201	33.24	15	GU03762550	33.29	5
GU03530535	33.15	48	GU03658201	33.25	9	GU03762870	33.29	36
GU03530536	33.15	48	GU03658330	33.25	8	GU03766570	33.29	32
GU03530537	33.15	48	GU03658430	33.24	14	GU03767270	33.29	9
GU03530538	33.15	49	GU03658500	33.27	14	GU03769401	33.28	23
GU03530539	33.15	50	GU03658801	33.25	7	GU03781150	33.29	30
GU03530540	33.15	51	GU03659700	33.24	6	GU03785470	33.33	3
GU03530541	33.15	55	GU03660145	33.24	1	GU03909960	33.34	9
GU03531000	33.14	8	GU03661145	33.24	10	GU03917570	33.34	6
GU03531800	33.14	7	GU03664045	33.24	3	GU03941000	34.37	37
GU03540255	33.16	1	GU03667300	33.25	25	GU03941000	34.38	40
GU03547060	33.16	6	GU03668200	33.25	21	GU03944325	33.10	20
GU03547800	33.16	4	GU03668500	33.25	18	GU03945455	33.34	8
GU03550214	33.14	15	GU03668801	33.25	24	GU03991572	34.44	20
GU03555250	33.14	16	GU03668900	33.25	26	GU04211500	34.45	10
GU03555250	33.17	21	GU03669000	33.28	12	GU05001230	34.36	14
GU03573915	33.10	17	GU03669001	33.28	25	GU05011830	34.36	36
GU03575415	33.10	1	GU03675170	33.27	34	GU05020830	34.39	9
GU03575426	33.10	1	GU03675900	33.27	21	GU05021831	34.37	3
GU03575515	33.10	3	GU03704571	33.33	18	GU05021831	34.38	3
GU03577210	33.10	2	GU03707140	33.33	9	GU05022132	34.37	1
GU03578515	33.10	9	GU03716770	33.32	22	GU05022232	34.37	2
GU03578615	33.10	10	GU03717450	33.32	14	GU05025330	34.39	11
GU03578715	33.10	11	GU03718350	33.32	12	GU05025331	34.37	4
GU03578730	33.08	15	GU03725875	33.32	1	GU05025331	34.38	4
GU03578815	33.10	12	GU03729230	33.32	5	GU05036030	34.37	6
GU03586615	33.11	1	GU03733000	34.49	7	GU05036030	34.38	6
GU03586626	33.11	1	GU03733200	34.49	10	GU05036131	34.37	5
GU03586715	33.11	2	GU03733300	34.49	1	GU05036131	34.38	5
GU03586726	33.11	2	GU03733400	34.49	8	GU05053331	34.40	3
GU03600311	33.28	1	GU03733500	34.49	9	GU05054532	34.40	9
GU03602760	33.28	24	GU03736870	33.35	1	GU05058030	34.40	16
GU03603060	33.28	10	GU03738045	33.28	8	GU05060130	34.39	1
GU03603070	33.28	28	GU03738846	33.28	5	GU05060230	34.39	2
GU03603370	33.28	27	GU03738870	33.28	5	GU05060630	34.39	3
GU03603560	33.28	4	GU03740430	33.30	22	GU05060730	34.39	4
GU03603860	33.28	2	GU03740431	33.30	22	GU05060930	34.39	5
GU03604245	33.28	9	GU03740437	33.30	23	GU05061030	34.39	6
GU03604845	33.24	5	GU03740540	33.30	1	GU05061530	34.39	13
GU03605545	33.28	16	GU03740545	33.30	1	GU05084430	34.43	3
GU03605645	33.24	2	GU03740930	33.31	10	GU05153630	34.41	23
GU03610370	33.22	1	GU03741230	33.31	13	GU05716530	33.32	21
GU03610810	33.22	14	GU03742030	33.31	15	GU05717030	33.32	40
GU03611445	33.22	8	GU03744760	33.30	21	GU06717400	33.32	42
GU03611610	33.22	5	GU03746370	33.33	12	GU10032700	34.37	32
GU03611711	33.22	6	GU03747156	33.33	1	GU10032700	34.38	32
GU03611711	33.23	8	GU03747270	33.29	22	GU10034100	34.37	17
GU03614101	33.22	9	GU03747270	33.33	2	GU10034100	34.38	17
GU03615640	33.22	15	GU03748440	33.33	8	GU10907200	36.51	6
GU03616340	33.22	10	GU03749845	33.24	7	GU12003702	34.36	29
GU03617710	33.22	2	GU03751630	33.30	15	GU12003900	34.36	2
GU03617710	33.23	2	GU03751630	33.31	3	GU12006400	33.26	11



Code	No. table	Pos.	Code	No. table	Pos.	Code	No. table	Pos.
GU12006400	34.41	21	GU14212210	34.45	21	GU17351401	33.17	28
GU12011400	34.36	37	GU14213001	34.46	12	GU17355400	33.17	25
GU12011401	34.36	37	GU14213612	34.46	1	GU17355402	33.17	25
GU12011402	34.36	37	GU14213803	34.44	4	GU17355404	33.17	25
GU12011403	34.36	37	GU14215213	34.46	17	GU17355406	33.17	25
GU12011700	34.36	38	GU14215400	34.46	4	GU17355408	33.17	25
GU12012200	34.36	11	GU14217300	34.46	16	GU17355410	33.17	25
GU12018900	34.36	6	GU14217410	34.46	2	GU17355412	33.17	25
GU12021700	34.39	12	GU14217901	33.14	30	GU17444250	33.02	29
GU12022600	33.17	6	GU14217901	33.27	3	GU17451750	33.01	11
GU12022600	34.37	15	GU14217901	34.44	6	GU17656850	33.27	17
GU12022600	34.38	15	GU14217901	34.50	11	GU17768750	34.41	17
GU12022600	34.44	23	GU14218011	34.46	10	GU17945060	36.51	26
GU12031800	34.37	33	GU14218401	34.45	7	GU17945160	36.51	37
GU12031800	34.38	33	GU14219310	34.46	14	GU17945460	36.51	31
GU12067701	34.39	20	GU14219401	34.45	13	GU17947560	36.51	3
GU12082300	34.43	4	GU14230501	34.46	26	GU17948360	36.51	28
GU12082800	34.43	5	GU14231201	34.46	27	GU17948460	36.51	29
GU12082901	34.43	2	GU14232400	34.46	25	GU17948860	36.51	30
GU12087001	34.43	9	GU14232512	34.46	9	GU17949260	36.51	25
GU12154200	34.41	25	GU14234300	34.46	23	GU17999550	34.36	34
GU12154200	34.44	18	GU14234600	34.40	4	GU18001150	34.36	20
GU12211700	34.45	12	GU14234600	34.46	24	GU18144350	34.41	19
GU12327700	33.16	7	GU14235500	34.46	21	GU18211050	34.45	15
GU12351100	33.17	11	GU14237800	34.44	14	GU18211051	34.45	15
GU12355202	33.17	18	GU14335303	33.23	15	GU18211052	34.45	15
GU12355203	33.17	18	GU14429900	33.04	37	GU18211054	34.45	15
GU12356300	33.17	30	GU14433400	34.40	10	GU18258101	33.03	13
GU12717600	34.41	22	GU14433500	33.04	10	GU18352400	33.17	15
GU12905900	36.51	18	GU14439800	33.30	9	GU18355100	33.17	17
GU12906900	36.51	12	GU14516700	33.14	4	GU18432760	33.04	17
GU12907100	36.51	19	GU14517000	33.14	5	GU18548000	33.16	9
GU12911801	36.51	5	GU14609650	33.20	20	GU18678350	33.27	28
GU12912000	36.51	10	GU14609650	33.25	15	GU19007700	34.36	23
GU12913600	36.51	4	GU14609650	33.33	25	GU19149800	33.24	18
GU13037200	34.37	8	GU14615901	33.17	4	GU19149800	33.25	3
GU13037200	34.38	8	GU14615901	33.21	6	GU19149800	33.26	5
GU13084100	34.43	1	GU14615901	33.27	6	GU19149800	34.42	9
GU13148300	34.41	2	GU14615901	34.39	21	GU19207220	34.44	19
GU13148300	34.42	4	GU14616150	33.22	13	GU19355320	33.17	19
GU13432640	33.03	3	GU14616150	33.23	22	GU19355321	33.17	19
GU13432640	33.27	27	GU14717600	33.32	13	GU19355322	33.17	19
GU14003600	34.36	24	GU14905400	36.51	21	GU19355323	33.17	19
GU14011900	34.36	10	GU14907000	36.51	27	GU19355324	33.17	19
GU14011901	34.36	10	GU14912603	36.51	22	GU19355325	33.17	19
GU14018400	34.37	24	GU14913100	36.51	23	GU19355326	33.17	19
GU14018400	34.38	24	GU14927100	36.51	9	GU19355327	33.17	19
GU14030201	34.37	25	GU14927200	36.51	11	GU19355328	33.17	19
GU14030201	34.38	25	GU14927300	36.51	16	GU19355329	33.17	19
GU14030401	34.37	26	GU14928500	36.51	24	GU19357660	33.17	20
GU14030401	34.38	26	GU14928600	36.51	32	GU19705900	33.01	28
GU14034865	34.37	22	GU14928700	36.51	20	GU19927100	36.51	15
GU14037300	34.37	9	GU14928800	36.51	33	GU19929600	36.51	2
GU14037300	34.38	9	GU14928900	36.51	13	GU23440210	33.02	41
GU14072001	34.40	12	GU14929000	36.51	34	GU23440710	33.02	16
GU14085700	34.43	6	GU14929100	36.51	14	GU23441210	33.02	20
GU14085900	34.43	7	GU14929300	36.51	38	GU23441310	33.02	42
GU14086000	34.43	8	GU14929400	36.51	35	GU23441810	33.02	18
GU14086100	34.43	10	GU14929500	36.51	36	GU23443210	33.02	19
GU14090202	34.43	12	GU14929600	36.51	1	GU23943410	33.15	56
GU14090400	34.43	14	GU17034050	34.37	39	GU23943510	33.14	23
GU14103400	33.21	26	GU17034050	34.38	21	GU25656100	33.24	12
GU14152200	34.41	8	GU17045860	34.40	2	GU25656100	33.25	19
GU14201110	34.44	10	GU17067900	34.39	22	GU25656100	33.26	9
GU14204955	34.44	27	GU17335950	33.23	16	GU25656100	33.27	16
GU14210513	34.45	14	GU17350400	33.17	23	GU25656102	34.41	26
GU14210702	34.45	5	GU17350700	33.17	24	GU27135215	33.28	13





Code	No. table	Pos.	Code	No. table	Pos.	Code	No. table	Pos.
GU27530505	33.15	5	GU30350360	33.17	2	GU37037605	34.38	12
GU27530594	33.28	3	GU30354602	33.17	29	GU37045006	34.40	1
GU27530595	33.28	7	GU30356760	33.17	13	GU37065405	34.39	18
GU27663815	33.28	22	GU30424660	34.44	21	GU37712306	34.47	9
GU28157850	34.41	28	GU30425260	33.02	37	GU39103400	33.01	14
GU28157950	33.18	5	GU30429760	33.04	36	GU39103400	33.04	32
GU28157950	33.20	19	GU30429860	33.04	15	GU39103500	33.01	16
GU28217350	34.46	29	GU30429960	33.04	14	GU39103500	33.04	27
GU28234700	34.44	30	GU30433560	33.04	33	GU39663801	33.24	4
GU28238261	34.46	33	GU30450260	33.01	3	GU39922200	33.07	4
GU28576591	33.06	17	GU30461360	33.01	21	GU43083810	34.46	3
GU28576591	33.33	29	GU30462060	33.01	25	GU43262180	33.27	23
GU28576591	34.47	14	GU30462060	33.35	4	GU55235000	34.46	22
GU28707050	33.33	30	GU30462160	33.01	31	GU55235001	34.46	22
GU28742558	33.32	4	GU30463260	33.01	33	GU55235002	34.46	22
GU28742558	33.33	22	GU30466860	33.01	27	GU55235003	34.46	22
GU28742559	33.32	4	GU30477101	33.33	16	GU61108500	33.27	13
GU28742560	33.33	22	GU30477200	33.33	17	GU61270300	34.36	13
GU28742561	33.33	22	GU30513401	33.14	2	GU63657000	33.27	20
GU28742562	33.33	22	GU30516500	33.14	3	GU65663500	33.27	7
GU29106860	33.18	3	GU30530510	34.48	3	GU65928400	36.51	17
GU29115860	33.20	15	GU30530511	34.48	4	GU66468115	33.01	34
GU29116960	33.20	14	GU30530512	34.48	9	GU66478610	33.06	6
GU29217960	34.47	7	GU30530528	33.28	19	GU66478610	33.11	6
GU29418360	33.01	10	GU30576100	33.07	17	GU90118152	34.37	31
GU29418360	33.01	35	GU30601060	33.28	18	GU90118152	34.38	31
GU29447150	33.02	40	GU30602500	33.28	20	GU90271020	33.16	13
GU29482400	33.12	9	GU30611460	33.23	10	GU90351039	34.39	8
GU29530562	34.50	4	GU30658760	33.25	16	GU90353016	34.37	7
GU29577860	33.11	10	GU30665860	33.27	12	GU90353016	34.38	7
GU29606970	33.28	26	GU30666060	33.27	10	GU90402840	34.36	19
GU29615260	33.22	4	GU30666760	33.27	4	GU90403547	34.44	2
GU29711460	34.47	5	GU30666960	33.27	1	GU90403548	34.44	31
GU29711960	34.47	11	GU30678160	33.03	2	GU90405367	34.36	35
GU29722760	33.32	20	GU30678160	33.27	22	GU90413850	33.17	10
GU29729461	33.32	34	GU30714201	34.47	3	GU90417085	33.17	27
GU30003800	34.41	32	GU30717061	33.32	15	GU90706094	34.37	21
GU30004910	34.36	31	GU30728230	33.32	29	GU90706108	33.14	34
GU30058310	34.40	17	GU30729330	33.32	18	GU90706140	34.44	12
GU30059211	34.40	18	GU30730711	34.48	1	GU90706141	33.32	19
GU30061241	34.39	7	GU30732200	33.32	31	GU90706170	34.43	11
GU30081810	34.45	3	GU30732400	33.32	32	GU90706178	34.36	32
GU30109330	33.21	4	GU30732560	33.33	21	GU90706178	34.47	8
GU30113460	33.20	3	GU30735500	33.29	17	GU90706203	33.17	7
GU30113600	33.20	2	GU30735500	33.35	5	GU90706203	34.37	16
GU30114060	33.20	1	GU30906510	36.51	8	GU90706203	34.38	16
GU30114470	34.50	5	GU30912810	36.51	7	GU90706203	34.44	24
GU30114560	33.20	9	GU30944300	33.34	7	GU90706203	34.45	6
GU30114660	33.20	8	GU30970200	33.01	38	GU90706203	34.46	31
GU30146400	34.41	1	GU30999060	34.36	33	GU90706219	34.46	28
GU30147700	34.41	4	GU31003766	33.17	31	GU90706235	34.45	4
GU30147700	34.42	7	GU31003766	34.44	34	GU90706461	34.50	14
GU30150900	34.41	14	GU31103565	33.05	13	GU90706490	33.23	13
GU30153000	34.41	11	GU31487765	33.13	4	GU90706584	33.16	3
GU30158701	34.41	13	GU31613383	33.22	7	GU90706584	33.17	16
GU30158800	34.41	18	GU31659260	33.26	3	GU90714053	33.20	16
GU30159000	34.41	20	GU31745865	33.31	26	GU90714082	33.20	18
GU30214225	34.46	18	GU31753765	33.30	17	GU90718370	33.21	3
GU30230725	34.46	19	GU31753765	33.31	9	GU91110609	33.10	18
GU30231025	34.46	8	GU31766283	33.29	26	GU91111511	34.37	27
GU30231525	34.45	22	GU32023910	34.38	42	GU91111511	34.38	27
GU30252060	33.03	15	GU32703810	34.47	2	GU91112128	34.39	15
GU30252360	33.03	16	GU32712411	34.47	1	GU91120605	33.10	19
GU30256960	33.03	14	GU32727010	33.21	21	GU91120806	33.06	21
GU30258160	33.03	10	GU37037405	34.37	11	GU91180408	34.50	18
GU30335260	33.23	14	GU37037405	34.38	11	GU91180600	33.05	20
GU30350262	33.17	1	GU37037605	34.37	12	GU91180602	33.02	23

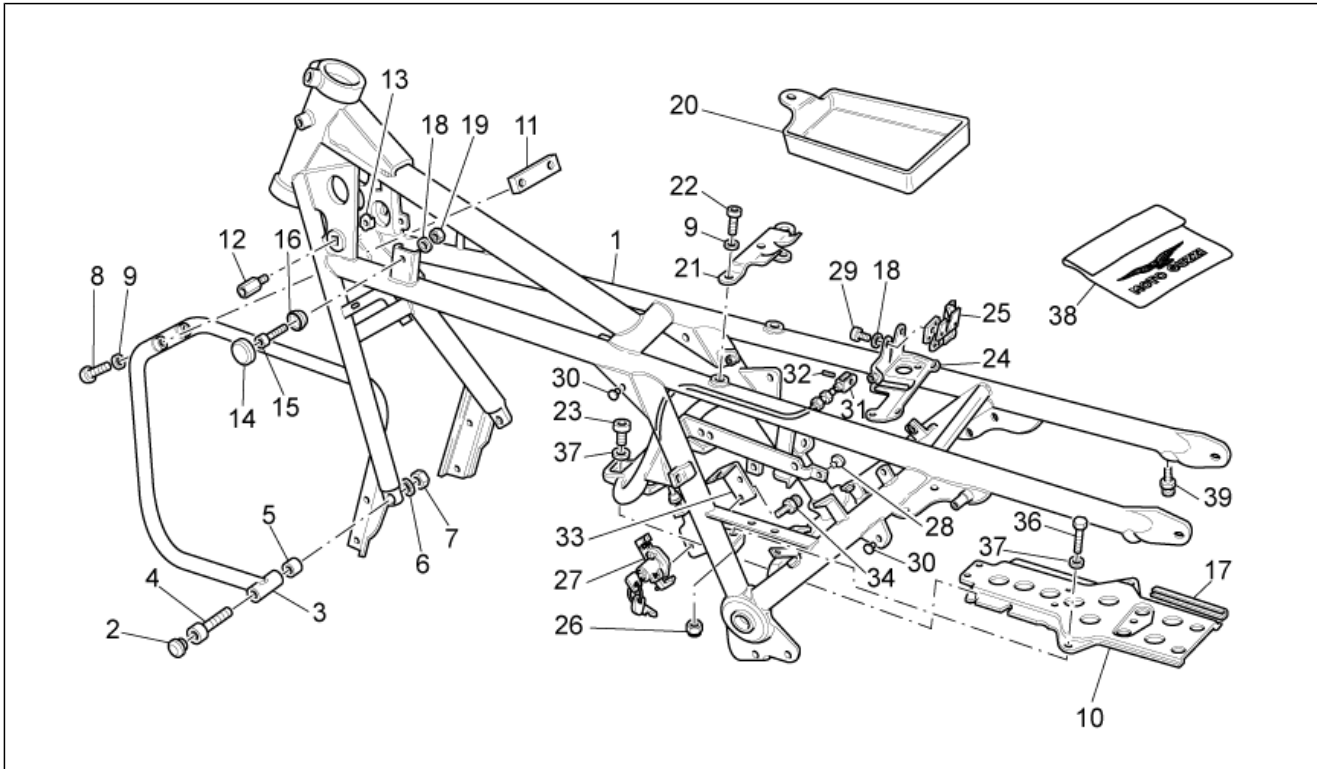


Code	No. table	Pos.	Code	No. table	Pos.	Code	No. table	Pos.
GU91180605	33.14	29	GU92630106	33.12	11	GU94321007	33.09	8
GU91180607	33.33	15	GU92630106	33.14	27	GU94321051	34.45	19
GU91181039	33.15	9	GU92630108	33.02	11	GU94321067	34.44	29
GU91181210	33.01	5	GU92630108	33.25	23	GU94321070	33.28	15
GU91551010	33.07	16	GU92630110	33.04	11	GU94321079	34.41	15
GU91551034	34.50	19	GU92630110	33.15	10	GU94321105	34.43	13
GU91551080	33.33	14	GU92630204	33.32	37	GU94322185	33.03	18
GU91551081	33.05	21	GU92630205	33.25	29	GU94322215	34.37	30
GU91551099	33.08	4	GU92630707	33.03	6	GU94322215	34.38	30
GU91551105	33.06	15	GU92630707	33.04	24	GU95001206	33.31	5
GU91551105	33.30	4	GU92630707	33.14	12	GU95005306	33.02	36
GU91551106	33.06	20	GU92630707	33.33	20	GU95005306	33.10	5
GU91551120	33.25	14	GU92630719	33.23	21	GU95005306	33.14	14
GU91551131	33.05	14	GU92640508	33.02	26	GU95005306	33.15	54
GU91551168	33.29	3	GU92640508	33.21	13	GU95005306	33.24	24
GU91600450	34.47	10	GU92650034	33.31	27	GU95005308	33.07	14
GU91702355	34.40	15	GU92650035	33.31	22	GU95005308	33.17	22
GU92201070	33.17	26	GU92650036	33.01	26	GU95005308	33.30	10
GU92201417	34.44	13	GU92650036	33.08	5	GU95005308	34.36	4
GU92204220	33.22	3	GU92660007	33.10	7	GU95005311	33.21	14
GU92204220	33.23	3	GU92660007	33.13	7	GU95005312	33.08	8
GU92204230	33.16	14	GU92660007	33.29	23	GU95005320	33.08	12
GU92218424	34.44	7	GU92660208	33.20	11	GU95005320	33.14	33
GU92234717	34.44	8	GU92660600	33.31	6	GU95005330	33.14	18
GU92249213	33.16	8	GU92660601	33.01	13	GU95008205	33.25	28
GU92249225	33.14	6	GU92660601	33.06	7	GU95008205	33.32	23
GU92249227	33.17	14	GU92660601	33.32	11	GU95008206	33.08	2
GU92251022	34.46	7	GU92660801	33.05	15	GU95008206	33.33	23
GU92251030	34.45	20	GU92750180	34.40	11	GU95008206	34.36	28
GU92251030	34.46	30	GU92787006	33.14	31	GU95008206	34.41	16
GU92252210	34.41	3	GU92787008	33.08	9	GU95008208	33.01	37
GU92254340	33.17	12	GU92787008	33.17	5	GU95008208	33.02	6
GU92256218	34.44	3	GU92787008	33.21	7	GU95008208	33.04	26
GU92258525	34.45	16	GU92787008	34.36	5	GU95008208	33.21	12
GU92259017	34.46	6	GU92787205	33.07	11	GU95008208	33.29	16
GU92295702	34.46	15	GU92787205	34.49	5	GU95008210	33.04	8
GU92295708	33.09	9	GU93110060	33.31	21	GU95008210	33.16	15
GU92296750	34.45	18	GU93180080	33.01	30	GU95008210	33.32	36
GU92602206	33.27	30	GU93180105	33.16	5	GU95008219	33.23	20
GU92602206	33.28	17	GU93180111	33.22	11	GU95008304	33.32	8
GU92602510	34.42	8	GU93180111	33.23	24	GU95008306	33.04	23
GU92602525	34.40	14	GU93180216	33.01	2	GU95008306	33.09	3
GU92603010	34.37	23	GU93180220	34.44	22	GU95008306	33.10	14
GU92603010	34.38	23	GU93180245	33.02	35	GU95008306	33.11	7
GU92606003	33.32	33	GU93180245	33.17	32	GU95008306	33.27	9
GU92606205	33.04	20	GU93180245	34.44	33	GU95008306	33.29	25
GU92606206	33.01	19	GU93180577	34.49	4	GU95008306	33.32	38
GU92606206	33.09	4	GU93221330	33.32	6	GU95008313	33.02	13
GU92606206	33.27	19	GU93222023	33.29	19	GU95008313	33.04	13
GU92606206	33.32	26	GU93222023	33.32	28	GU95021204	33.24	9
GU92606208	34.36	8	GU93231604	33.31	14	GU95021204	33.32	27
GU92606308	34.41	5	GU93231606	33.02	7	GU95021206	33.29	35
GU92606312	33.01	7	GU93304390	33.33	24	GU95022110	33.02	39
GU92606312	33.02	33	GU93305061	34.50	6	GU95022112	33.01	6
GU92606312	33.04	16	GU93306017	33.18	7	GU95022112	33.02	31
GU92606408	33.25	30	GU93306017	33.20	13	GU95028022	34.45	2
GU92606508	33.04	31	GU93306050	33.16	10	GU95100059	33.20	5
GU92606508	34.43	15	GU93306070	33.16	11	GU95100116	34.50	13
GU92606512	33.02	32	GU93400012	33.29	20	GU95100118	33.14	11
GU92606512	34.44	15	GU93450119	33.30	7	GU95100118	33.33	19
GU92606516	34.47	4	GU93450120	33.29	8	GU95100121	33.14	36
GU92609007	33.27	35	GU93450127	33.30	16	GU95100141	33.14	20
GU92609206	33.03	12	GU93450127	33.31	8	GU95100141	33.32	10
GU92609512	33.03	19	GU93450140	33.29	34	GU95100141	34.47	13
GU92630104	33.25	11	GU93450224	33.31	12	GU95100173	33.27	38
GU92630106	33.08	13	GU93450232	33.30	5	GU95100239	33.05	12
GU92630106	33.11	8	GU93601022	34.45	1	GU95100253	33.12	8



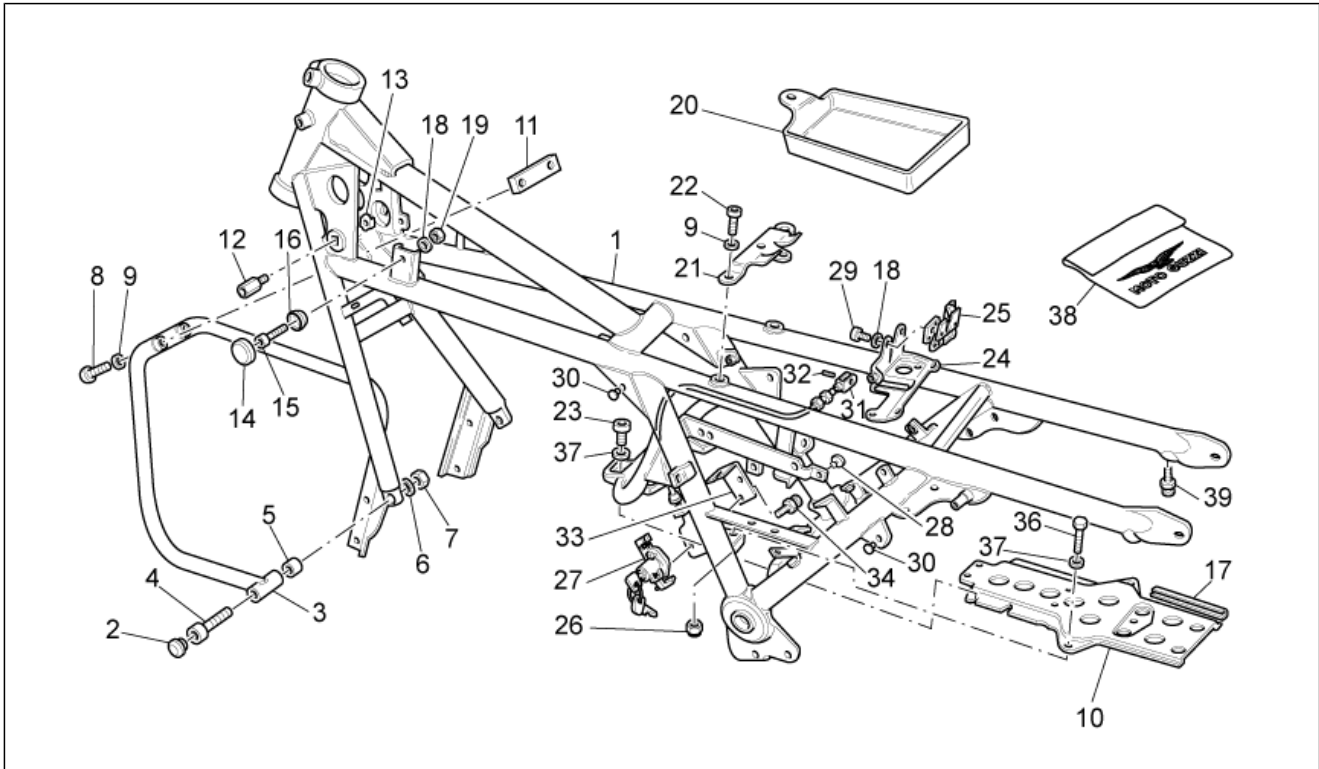
Code	No. table	Pos.	Code	No. table	Pos.	Code	No. table	Pos.
GU95100409	33.03	17	GU98223625	33.11	5	GU98682314	33.30	18
GU95100414	33.02	30	GU98223835	33.08	7	GU98682314	33.33	28
GU95100709	34.36	30	GU98230518	33.31	17	GU98682316	34.44	5
GU95100837	34.40	13	GU98257410	33.25	10	GU98682318	33.27	18
GU95120033	33.32	24	GU98310609	34.50	12	GU98682318	33.33	6
GU95120065	34.37	35	GU98310631	34.36	22	GU98682320	33.27	2
GU95120065	34.38	35	GU98350210	33.20	10	GU98682320	33.31	4
GU95120065	34.40	7	GU98350215	33.10	6	GU98682325	33.08	14
GU95120085	34.41	6	GU98350215	33.11	9	GU98682325	34.36	16
GU95129111	33.27	32	GU98350312	33.01	29	GU98682325	34.36	27
GU95129131	33.27	37	GU98350312	33.20	6	GU98682325	34.44	16
GU95129180	34.37	18	GU98350315	33.25	12	GU98682325	34.50	10
GU95129180	34.38	18	GU98350318	33.12	10	GU98682416	33.04	35
GU95129240	33.14	17	GU98350320	33.13	6	GU98682416	33.35	7
GU95187006	34.41	10	GU98350325	33.08	11	GU98682420	33.01	23
GU95500221	33.27	33	GU98350330	34.42	5	GU98682430	34.41	7
GU95500222	34.43	17	GU98350416	33.01	22	GU98682530	33.26	4
GU95512081	34.36	9	GU98350416	33.03	4	GU98683530	33.24	17
GU95512081	34.44	9	GU98350416	33.27	24	GU98683530	33.25	2
GU95522508	33.01	32	GU98350430	33.05	11	GU98683635	33.02	27
GU95740175	33.27	36	GU98350440	33.25	22	GU98683640	33.02	34
GU95780267	33.27	31	GU98350522	33.02	38	GU98692318	33.29	24
GU95780271	34.43	16	GU98370412	33.24	8	GU98692318	33.30	12
GU95980214	33.17	8	GU98370515	33.31	20	GU98692325	34.37	29
GU95980214	34.44	25	GU98370609	33.29	21	GU98692325	34.38	29
GU95980610	34.44	32	GU98370616	33.01	36	GU98872110	33.29	11
GU95990028	33.24	11	GU98370616	33.06	5	GU98872120	33.29	27
GU95990028	33.25	17	GU98370619	33.05	18	GU98882316	33.01	15
GU95990028	33.26	8	GU98370619	33.09	10	GU98882325	34.44	35
GU95990028	33.27	15	GU98370619	33.14	13			
GU95990037	34.41	24	GU98370619	33.15	57			
GU95990040	33.26	10	GU98370619	33.24	19			
GU96508040	34.37	19	GU98370619	33.33	13			
GU96508040	34.38	19	GU98370621	33.02	5			
GU96508045	33.17	3	GU98370621	33.10	4			
GU96508066	34.36	3	GU98370621	33.14	35			
GU96508075	34.36	7	GU98370622	33.07	15			
GU97202112	34.50	17	GU98370622	33.14	32			
GU97260415	33.29	33	GU98370625	33.06	18			
GU97260415	33.35	6	GU98370625	33.10	8			
GU973253600001	33.12	1	GU98370625	33.14	26			
GU98052560	33.15	3	GU98370635	33.10	13			
GU98064425	33.30	13	GU98370645	33.06	13			
GU98082225	33.07	10	GU98370845	33.01	8			
GU98082250	33.25	27	GU98370850	33.07	13			
GU98082390	34.36	25	GU98460105	33.16	2			
GU98082430	33.02	10	GU98460404	33.22	12			
GU98082435	33.21	18	GU98460404	33.23	6			
GU98082475	34.48	2	GU98620340	33.15	40			
GU98082540	33.16	16	GU98622430	33.15	1			
GU98082545	33.04	7	GU98632322	33.03	5			
GU98082550	33.04	34	GU98680110	33.32	30			
GU98084110	33.32	7	GU98680150	33.31	11			
GU98084216	33.04	19	GU98680230	33.20	4			
GU98084312	33.23	18	GU98680265	34.47	6			
GU98084314	33.02	21	GU98680335	34.36	17			
GU98084316	33.04	38	GU98680335	34.44	17			
GU98084316	34.37	34	GU98680440	33.04	28			
GU98084316	34.38	34	GU98680445	33.12	15			
GU98084316	34.41	9	GU98680445	33.12	7			
GU98084320	34.40	6	GU98681650	33.01	4			
GU98084325	33.14	10	GU98681650	33.02	28			
GU98084412	33.27	5	GU98682125	33.32	25			
GU98084420	34.39	10	GU98682212	33.32	17			
GU98084425	34.36	12	GU98682310	33.27	8			
GU98110007	33.21	20	GU98682310	33.32	9			
GU98210610	33.21	23	GU98682310	33.33	4			

<b>Group</b>	FRAME
<b>Code</b>	33.01
<b>Description</b>	Frame
<b>Service</b>	1



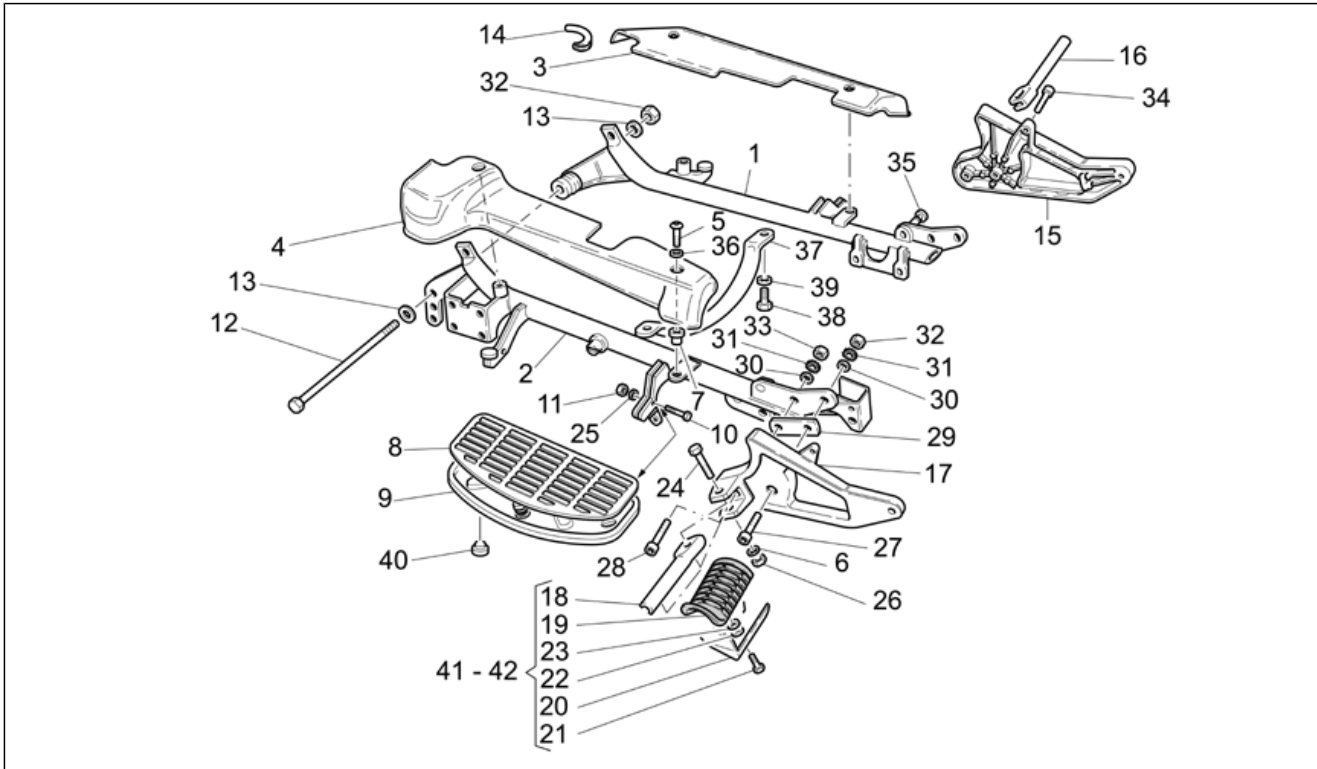
Pos.	Code	Description	Qty	Variants
1	GU03400152	Frame	1	
2	GU93180216	Rubber spacer	2	
3	GU30450260	Front protection	1	
4	GU98681650	screw	2	
5	GU91181210	Spacer	2	
6	GU95022112	Notched washer	2	
7	GU92606312	Nut M12x1,25	2	
8	GU98370845	Hex socket screw	2	
9	GU03270300	Washer 8,4x15	4	
10	GU29418360	Plate	1	
11	GU17451750	Plate	1	
12	GU03469200	Stud bolt	2	
13	GU92660601	Captive nut	2	
14	GU39103400	Pad	2	
15	GU98882316	screw	2	
16	GU39103500	Disc	2	
17	GU00823931080	Gasket PVC	1	
18	GU03013800	Washer 6,4x12	4	
19	GU92606206	Nut	2	
20	GU03479545	Holder	1	
21	GU30461360	plate	1	
22	GU98350416	Hex socket screw M8x16	2	
23	GU98682420	Hex socket screw M8x20	4	
24	GU03462345	Plate	1	
25	GU30462060	Saddle lock	1	
26	GU92650036	Flanged nut M6	3	
27	GU30466860	Saddle lock	1	
28	GU19705900	Pad	1	

<b>Group</b>	FRAME
<b>Code</b>	33.01
<b>Description</b>	Frame
<b>Service</b>	1



Pos.	Code	Description	Qty	Variants
29	GU98350312	Hex socket screw M6x12	2	
30	GU93180080	Cover	6	
31	GU30462160	Saddle release cable	1	
32	GU95522508	Pin	1	
33	GU30463260	Bracket	1	
34	GU66468115	Shear rivet	2	
35	GU29418360	Plate	1	
36	GU98370616	Hex socket screw M6x16 inox	3	
37	GU95008208	Washer 8,4X15X1,5	7	
38	GU30970200	Bike cover	1	
39	GU03467343	Stud bolt	1	

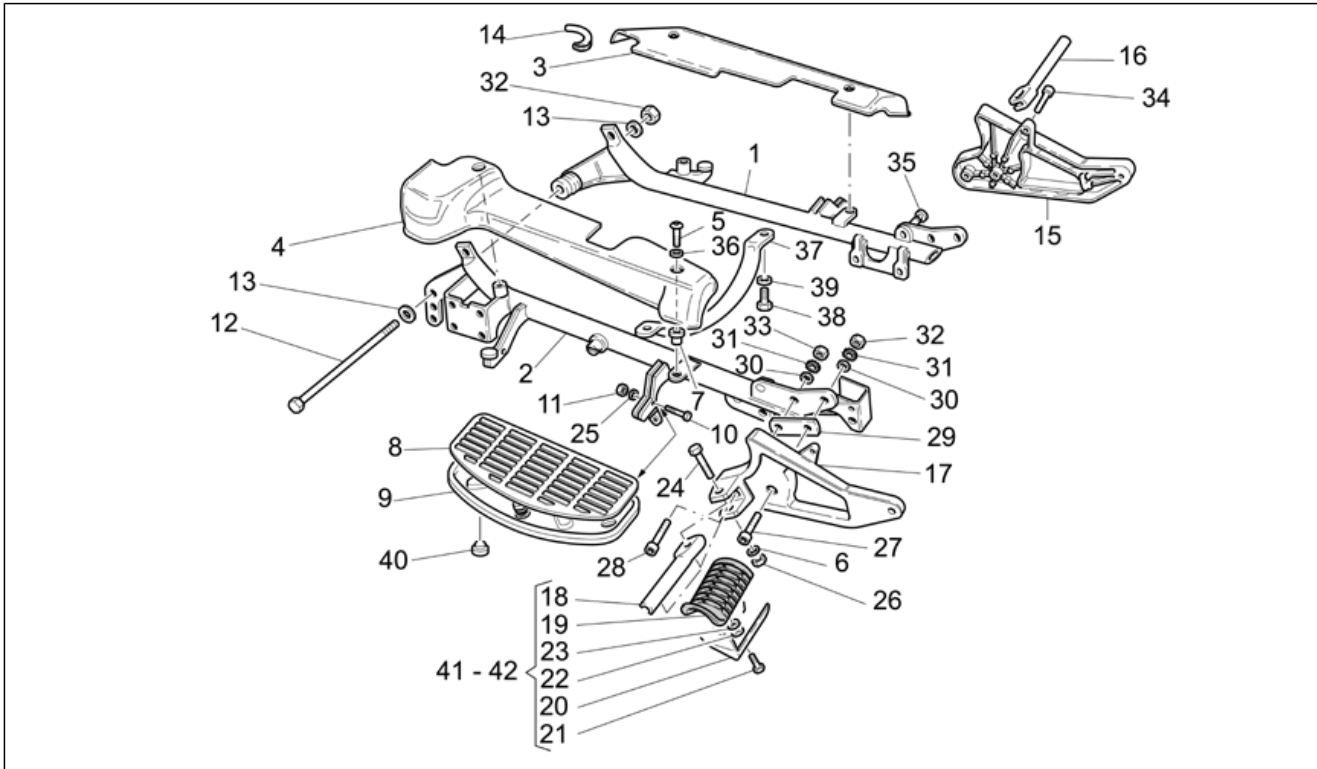
<b>Group</b>	FRAME
<b>Code</b>	33.02
<b>Description</b>	Craddle arm-Foot rests
<b>Service</b>	1



Pos.	Code	Description	Qty	Variants
1	GU03420300	RH cradle arm	1	
2	GU03422100	LH cradle arm	1	
3	GU03446900	RH cover chromium plated	1	
4	GU03447410	LH cover chromium plated	1	
5	GU98370621	Hex socket screw M6x20	5	
6	GU95008208	Washer 8,4X15X1,5	2	
7	GU93231606	Antivibration bush M6	5	
8	GU03447070	Mat	2	
9	GU03443555	Foot rest	2	
10	GU98082430	Hex screw M8x30	4	
11	GU92630108	Nut	4	
12	GU03429500	Pin	1	
13	GU95008313	Washer 13x24x2,5	2	
14	GU00823931055	Gasket	1	
15	GU03443510	RH footrest support	1	
16	GU23440710	RH front foot rest pipe	1	
17	GU03446010	LH footrest support	1	
18	GU23441810	LH front foot rest pipe	1	
19	GU23443210	Rubber pedal	2	
20	GU23441210	Plate	2	
21	GU98084314	Hex screw M6x14	2	
22	GU03013800	Washer 6,4x12	2	
23	GU91180602	Spacer	2	
24	GU03442200	screw	2	
25	GU03270300	Washer 8,4x15	6	
26	GU92640508	Nut M8	2	
27	GU98683635	screw M12X35	1	
28	GU98681650	screw	2	

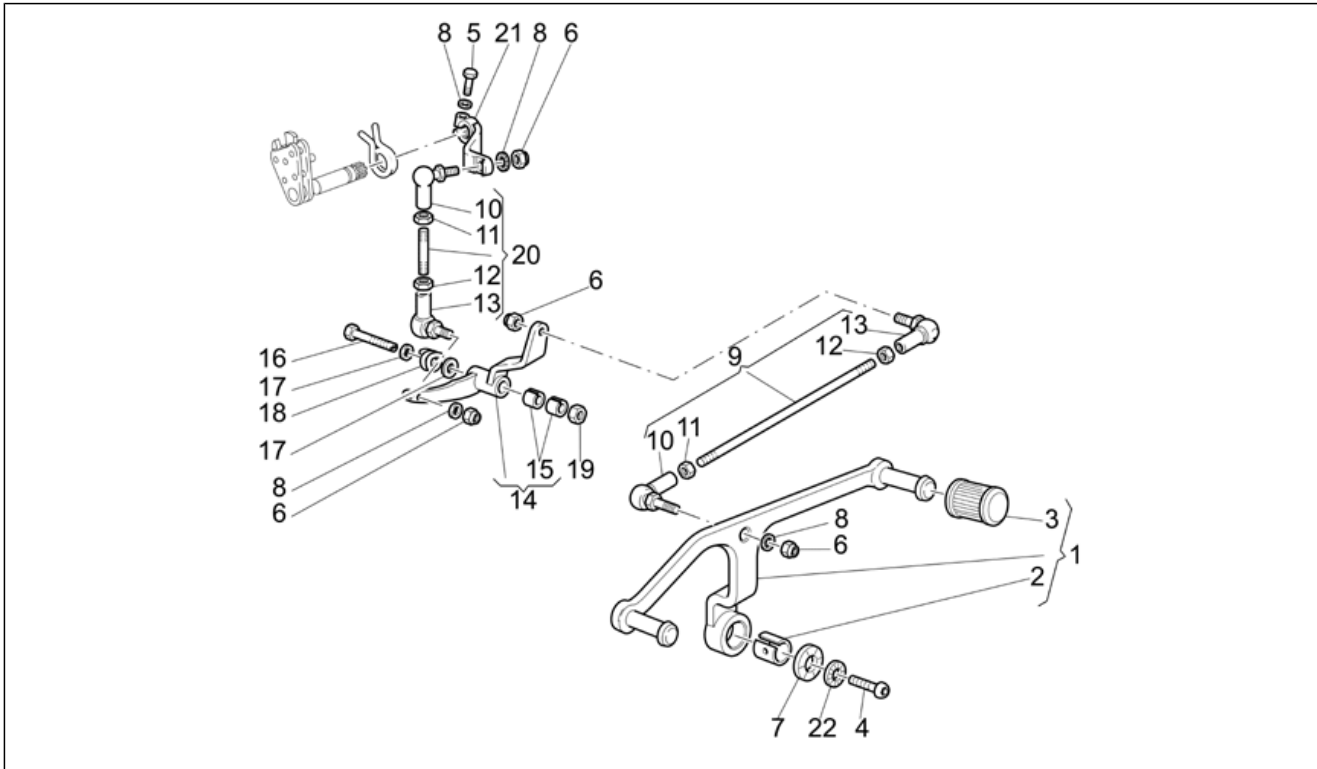


<b>Group</b>	FRAME
<b>Code</b>	33.02
<b>Description</b>	Cradle arm-Foot rests
<b>Service</b>	1



Pos.	Code	Description	Qty	Variants
29	GU17444250	Plate	2	
30	GU95100414	Washer	4	
31	GU95022112	Notched washer	4	
32	GU92606512	Low nut M12x1,25	2	
33	GU92606312	Nut M12x1,25	3	
34	GU98683640	screw M12X40	1	
35	GU93180245	Cover	1	
36	GU95005306	Washer 6,4x13x1,5	5	
37	GU30425260	Cradle arms conn.crosspiece	1	
38	GU98350522	screw	2	
39	GU95022110	Notched washer	2	
40	GU29447150	Pad	4	
41	GU23440210	RH footrest	1	
42	GU23441310	LH footrest	1	

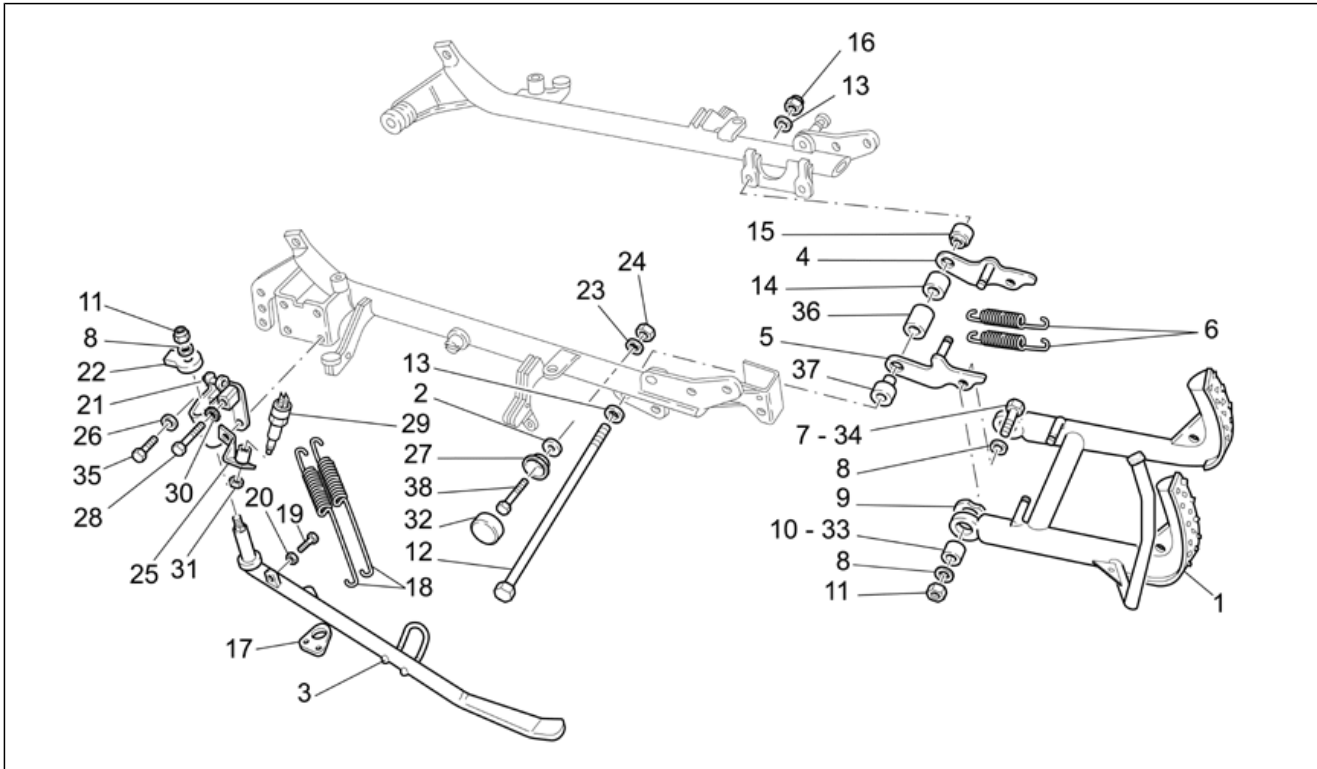
<b>Group</b>	FRAME
<b>Code</b>	33.03
<b>Description</b>	Gear lever
<b>Service</b>	1



Pos.	Code	Description	Qty	Variants
1	GU03250870	Complete gearchange lever	1	
2	GU30678160	Bushing	1	
3	GU13432640	Rubber pedal	2	
4	GU98350416	Hex socket screw M8x16	1	
5	GU98632322	screw	1	
6	GU92630707	Nut	4	
7	GU03259100	Washer	1	
8	GU03013800	Washer 6,4x12	5	
9	GU03257602	Change gear tie rod compl.	1	
10	GU30258160	Ball joint	2	
11	GU03256800	Nut M6	2	
12	GU92609206	Nut M6	2	
13	GU18258101	Ball joint	2	
14	GU30256960	Lever	1	
15	GU30252060	Bushing	2	
16	GU30252360	screw	1	
17	GU95100409	Washer	2	
18	GU94322185	Spring	1	
19	GU92609512	Nut	1	
20	GU03257801	Change gear tie rod compl.	1	
21	GU03258250	Lever	1	
22	GU03270300	Washer 8,4x15	1	

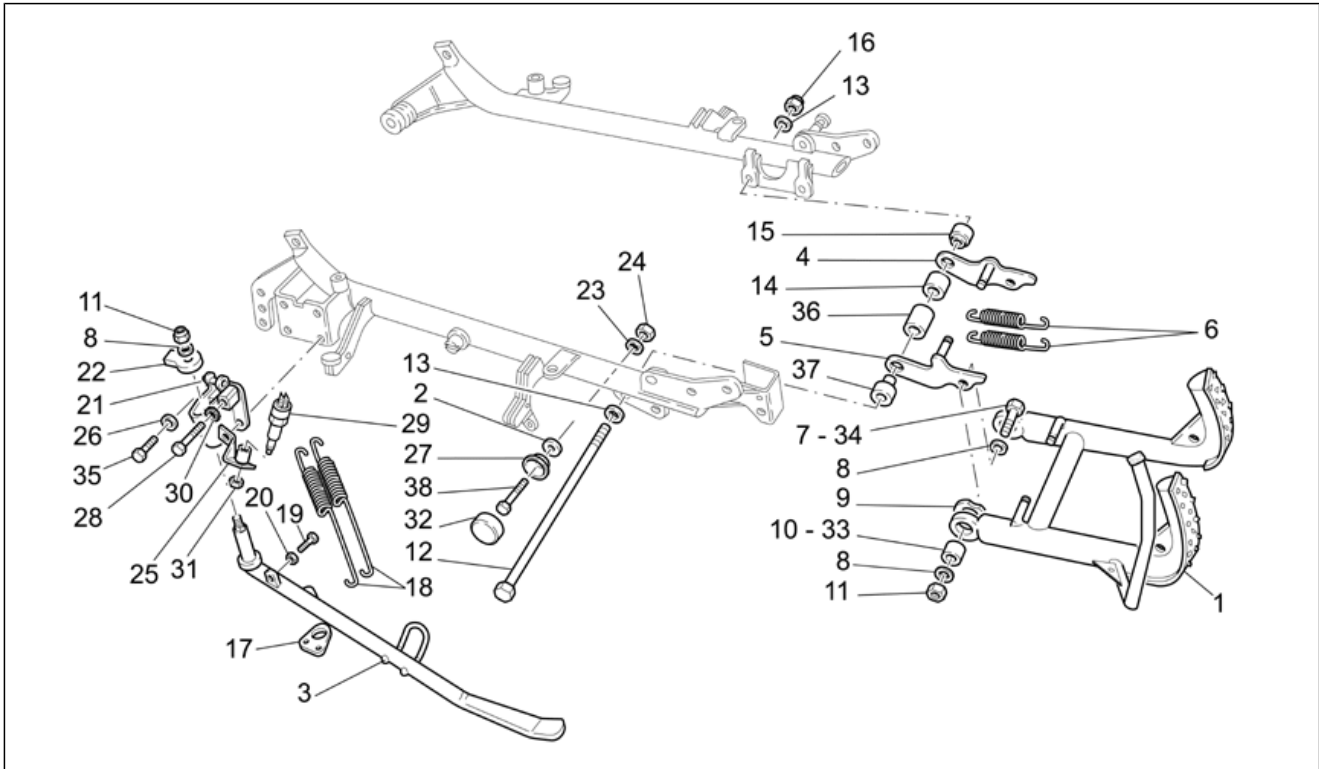


<b>Group</b>	FRAME
<b>Code</b>	33.04
<b>Description</b>	Stands
<b>Service</b>	1



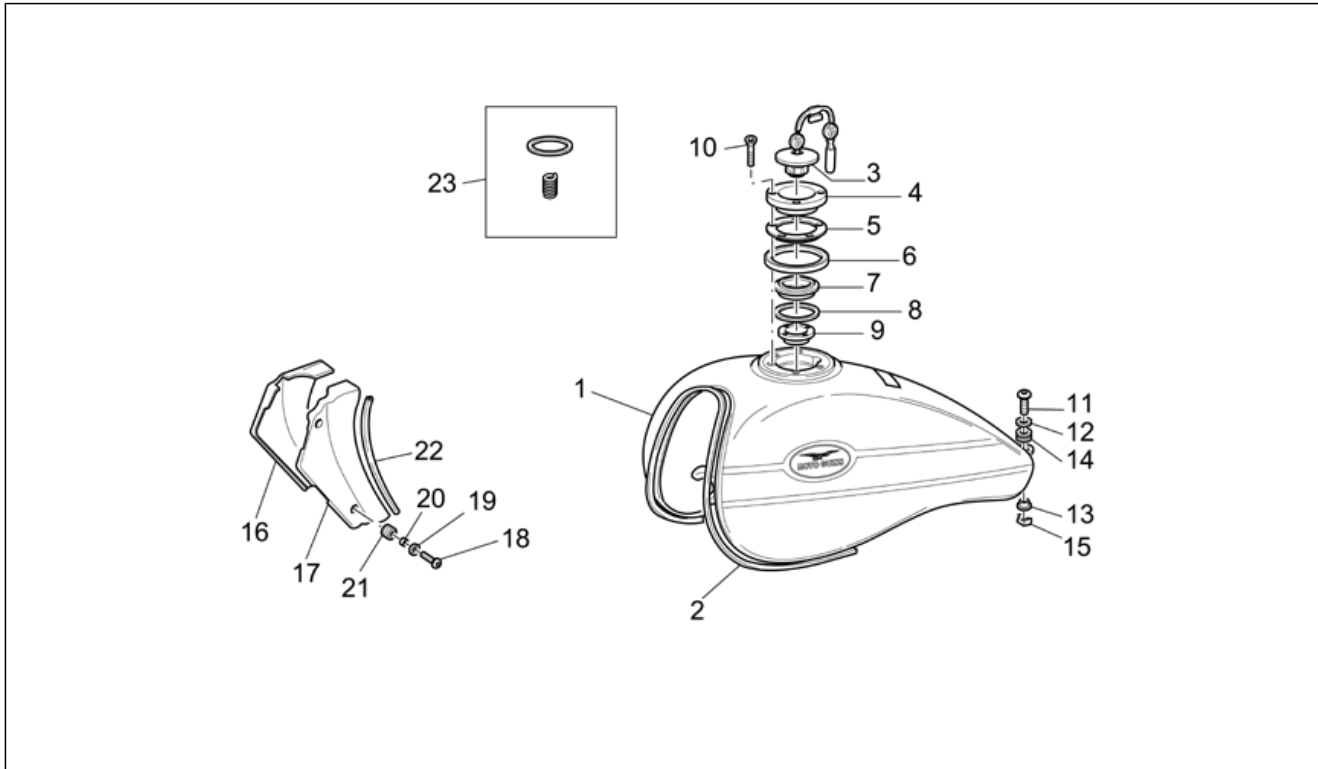
Pos.	Code	Description	Qty	Variants
1	GU03430311	Central stand	1	
2	GU03013800	Washer 6,4x12	1	
3	GU03432070	Lateral stand	1	
4	GU03432970	RH plate	1	
5	GU03433270	LH plate	1	
6	GU03434011	Spring	2	
7	GU98082545	screw	1	
8	GU95008210	Washer 10,2X18X2	3	
9	GU03433400	Washer	2	
10	GU14433500	LH bush	1	
11	GU92630110	Nut M10X1,5	3	
12	GU03429600	Pin M12x250	1	
13	GU95008313	Washer 13x24x2,5	2	
14	GU30429960	RH inner spacer	1	
15	GU30429860	RH outer spacer	1	
16	GU92606312	Nut M12x1,25	1	
17	GU18432760	plate	1	
18	GU03434070	Spring	2	
19	GU98084216	Adjuster screw	1	
20	GU92606205	Nut	1	
21	GU03433470	Block	1	
22	GU03432740	Lock	1	
23	GU95008306	Washer 6,4x12x1,2	1	
24	GU92630707	Nut	1	
25	GU03433850	Support clamp	1	
26	GU95008208	Washer 8,4X15X1,5	2	
27	GU39103500	Disc	1	
28	GU98680440	Hex socket screw M8x40	1	

<b>Group</b>	FRAME
<b>Code</b>	33.04
<b>Description</b>	Stands
<b>Service</b>	1



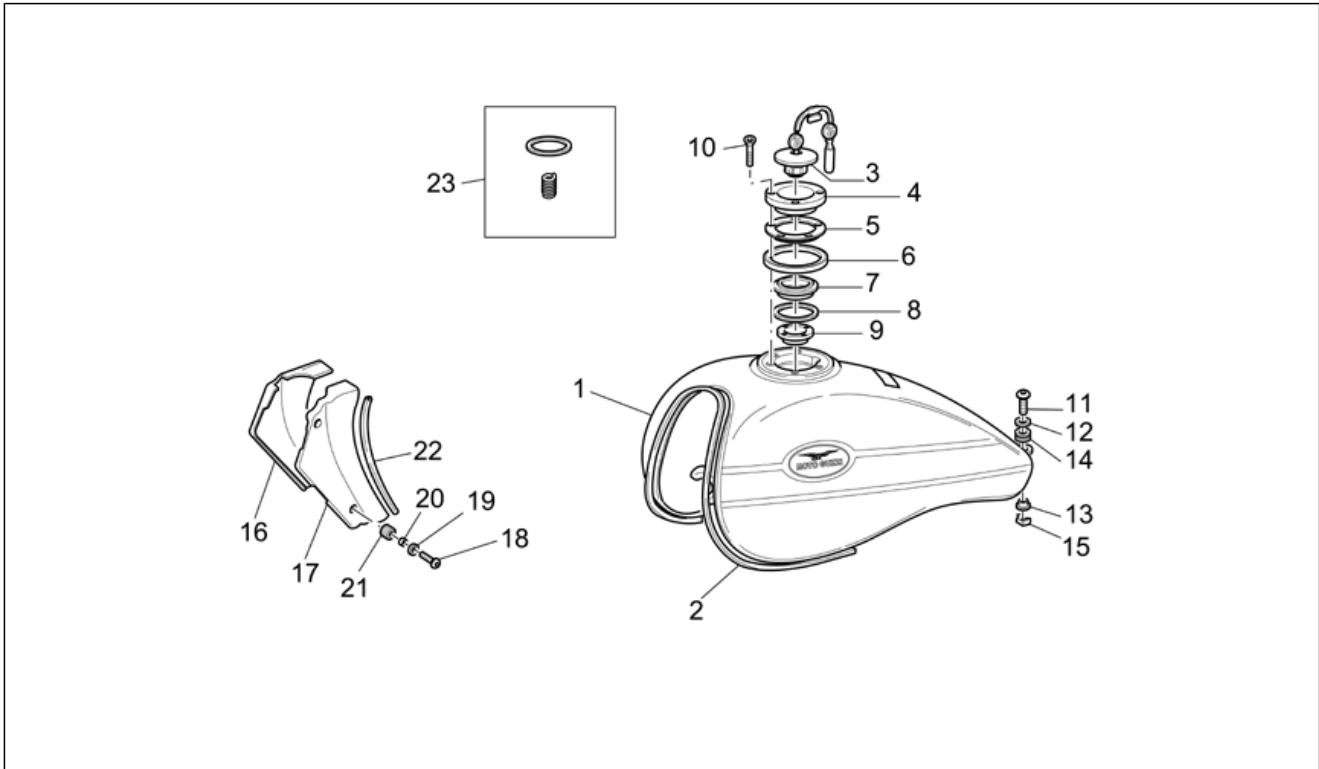
Pos.	Code	Description	Qty	Variants
29	GU03759150	Switch	1	
30	GU03270300	Washer 8,4x15	5	
31	GU92606508	Nut	1	
32	GU39103400	Pad	1	
33	GU30433560	RH bush	1	
34	GU98082550	Hex screw M10x50	1	
35	GU98682416	Hex socket screw M8x16	3	
36	GU30429760	LH inner spacer	1	
37	GU14429900	LH outer spacer	1	
38	GU98084316	Hex screw	1	

<b>Group</b>	FRAME
<b>Code</b>	33.05
<b>Description</b>	Fuel tank
<b>Service</b>	1



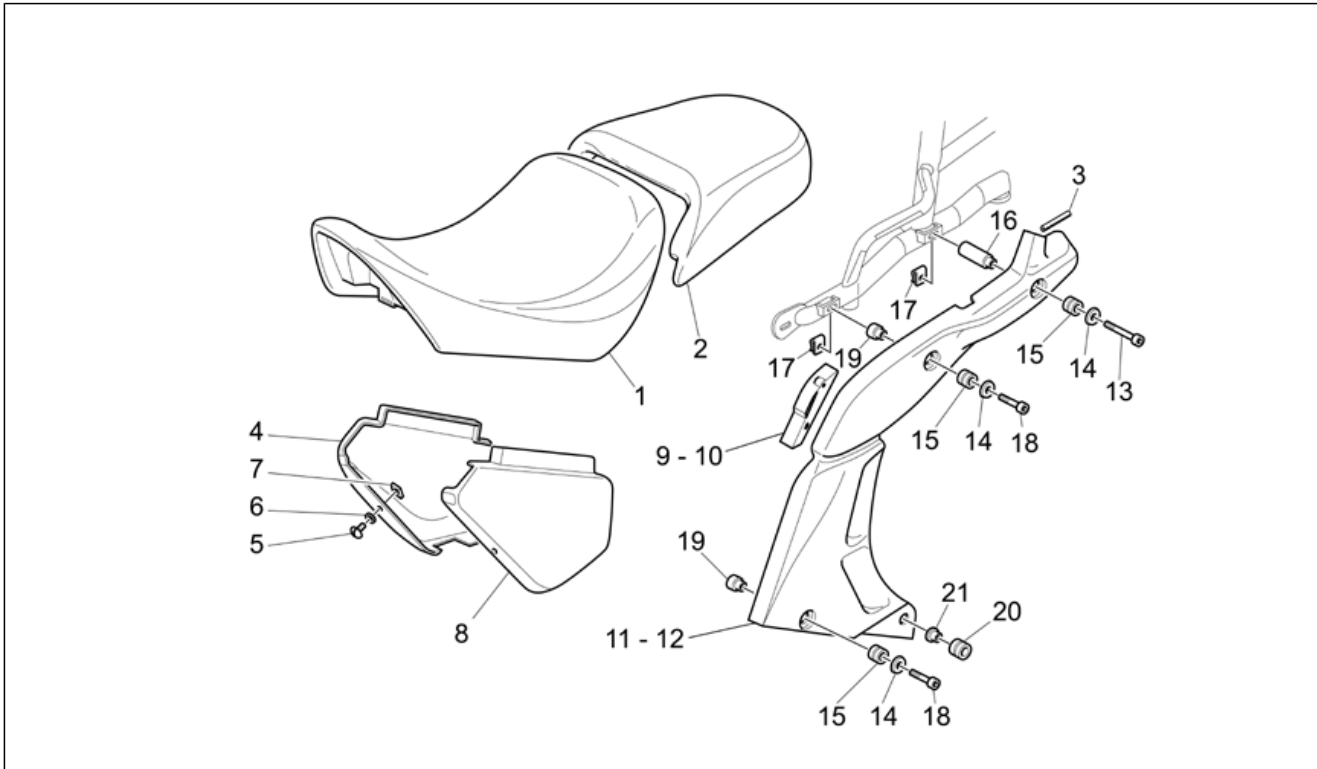
Pos.	Code	Description	Qty	Variants
1	977250	Fuel tank red	1	<b>Vehicle colour:</b> Red 2006[red] <b>Country:</b> Australia[AUS], Other country[EU], Japan[J], Great Britain[UK]
1	977272	Fuel tank, black	1	<b>Vehicle colour:</b> Black 2006-2007[black] <b>Country:</b> Australia[AUS], Other country[EU], Japan[J], Great Britain[UK]
1	977273	Fuel tank white /grigio	1	<b>Vehicle colour:</b> White/Grey 2006[w.grey] <b>Country:</b> Australia[AUS], Other country[EU], Japan[J], Great Britain[UK]
1	GU03100270	Fuel tank blank	1	<b>Country:</b> Australia[AUS], Other country[EU], Japan[J], Great Britain[UK]
1	GU03100270Y07	Fuel tank, red/black	1	<b>Vehicle colour:</b> Vintage Red/Black 2007[red/bl.] <b>Country:</b> Australia[AUS], Other country[EU], Japan[J], Great Britain[UK]
2	GU03106400	Gasket	1	
3	GU03103970	Tank cap	1	<b>Country:</b> Australia[AUS], Other country[EU], Japan[J], Great Britain[UK]
4	GU03101900	Flange	1	
5	GU03103500	Ring	1	
6	GU03102400	Gasket	1	
7	GU03102200	Plug ring nut	1	
8	GU03101600	Gasket	1	
9	GU03101720	Reduction 38 mm	1	
10	GU03103200	screw	5	
11	GU98350430	Hex socket screw M8x30	1	
12	GU95100239	Washer	1	
13	GU31103565	Spacer	1	
14	GU91551131	Rubber spacer	1	
15	GU92660801	Captive nut	1	
16	GU03472400	RH front protect chrome	1	
17	GU03472900	LH front protect chrome	1	

<b>Group</b>	FRAME
<b>Code</b>	33.05
<b>Description</b>	Fuel tank
<b>Service</b>	1



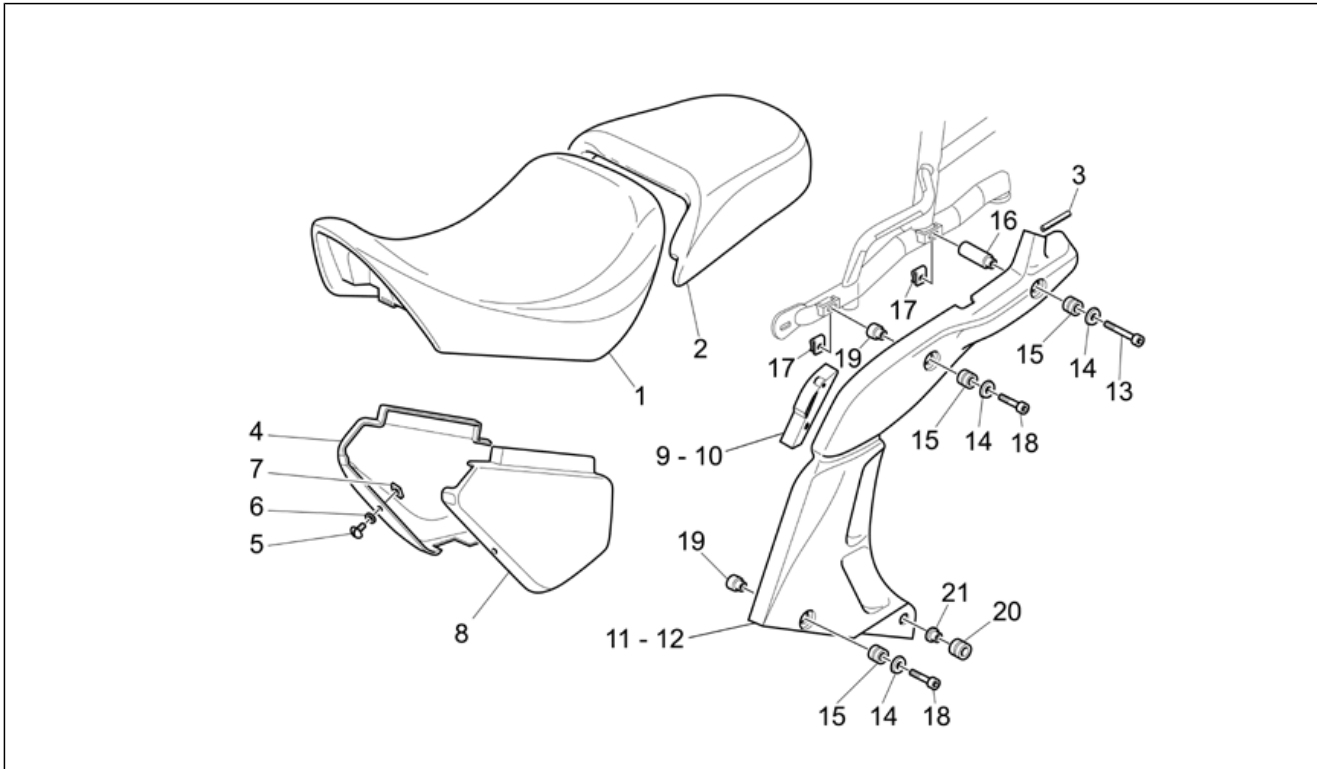
Pos.	Code	Description	Qty	Variants
18	GU98370619	Hex socket screw	4	
19	GU03462801	Washer	4	
20	GU91180600	Spacer 6,25x8x5	4	
21	GU91551081	Rubber spacer 8x15	4	
22	GU00823931055	Gasket	1	
23	GU03104370	Tank cap ring and spring kit	1	Country:Australia[AUS], Other country[EU], Japan[J], Great Britain[UK]
24	GU00823944050	pipe 5X9	1	

<b>Group</b>	FRAME
<b>Code</b>	33.06
<b>Description</b>	Saddle-Central bod
<b>Service</b>	1



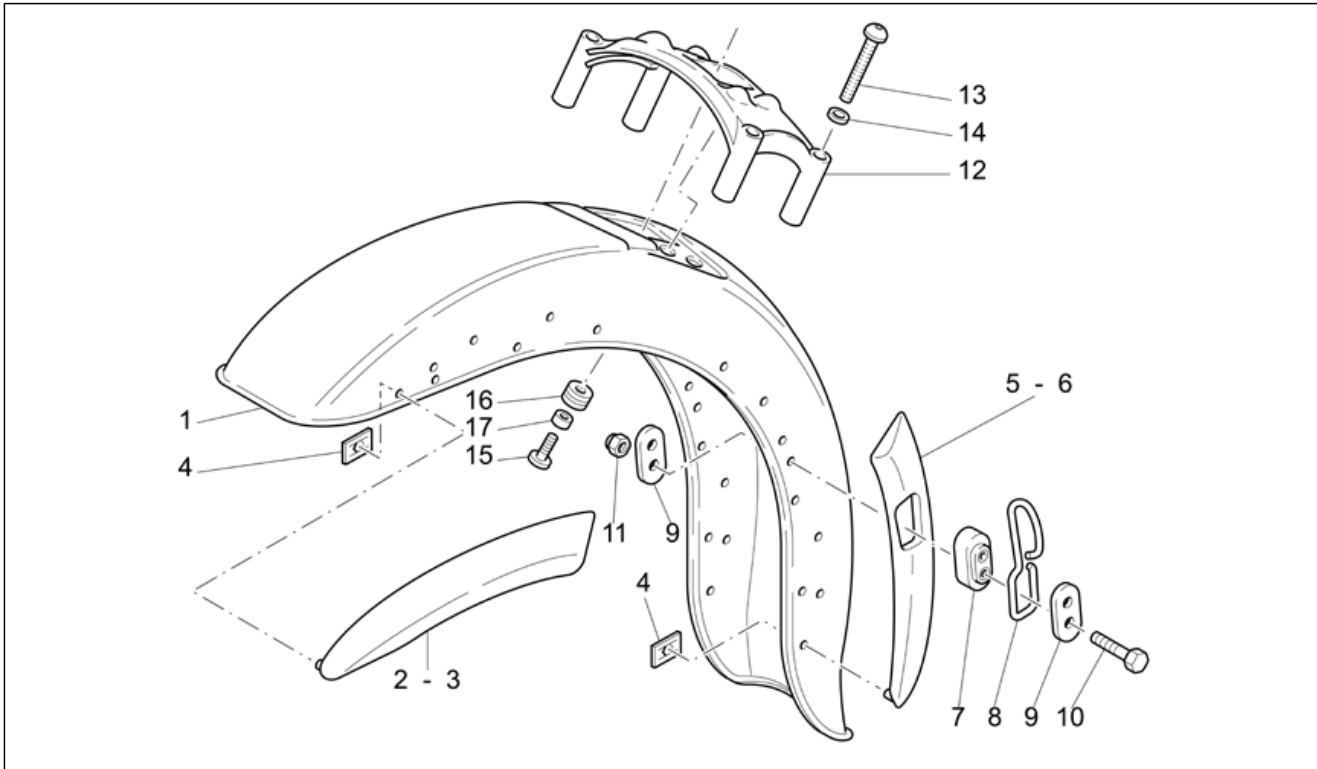
Pos.	Code	Description	Qty	Variants
1	GU03460510	Driver saddle	1	
2	GU03464010	Rear saddle	1	
3	GU00823931055	Gasket	1	
4	977223	RH side cover red race	1	Vehicle colour:Red 2006[red] Technical Specifications:Classic Version[CLAS]
4	977224	RH side cover black	1	Vehicle colour:Black 2006-2007[black] Technical Specifications:Classic Version[CLAS]
4	977225	RH side cover white /g.	1	Vehicle colour:White/Grey 2006[w.grey] Technical Specifications:Classic Version[CLAS]
4	977242	RH side cover red race	1	Vehicle colour:Red 2006[red] Technical Specifications:Touring Version[TOUR]
4	977243	RH side cover black	1	Vehicle colour:Black 2006-2007[black] Technical Specifications:Touring Version[TOUR]
4	977244	RH side cover white /g.	1	Vehicle colour:White/Grey 2006[w.grey] Technical Specifications:Touring Version[TOUR]
4	GU03476206	RH side cover blank	1	
4	GU03476206Y07	RH side cover red vintage	1	Vehicle colour:Vintage Red/Black 2007[red/bl.] Technical Specifications:Classic Version[CLAS]
5	GU98370616	Hex socket screw M6x16 inox	4	
6	GU66478610	Nylon washer 6X17X1	4	
7	GU92660601	Captive nut	4	
8	977226	LH side cover red race	1	Vehicle colour:Red 2006[red] Technical Specifications:Classic Version[CLAS]
8	977227	LH side cover black	1	Vehicle colour:Black 2006-2007[black] Technical Specifications:Classic Version[CLAS]
8	977228	LH side cover white /g.	1	Vehicle colour:White/Grey 2006[w.grey] Technical Specifications:Classic Version[CLAS]
8	977245	LH side cover red race	1	Vehicle colour:Red 2006[red] Technical Specifications:Touring Version[TOUR]
8	977246	LH side cover black	1	Vehicle colour:Black 2006-2007[black] Technical Specifications:Touring Version[TOUR]

<b>Group</b>	FRAME
<b>Code</b>	33.06
<b>Description</b>	Saddle-Central bod
<b>Service</b>	1



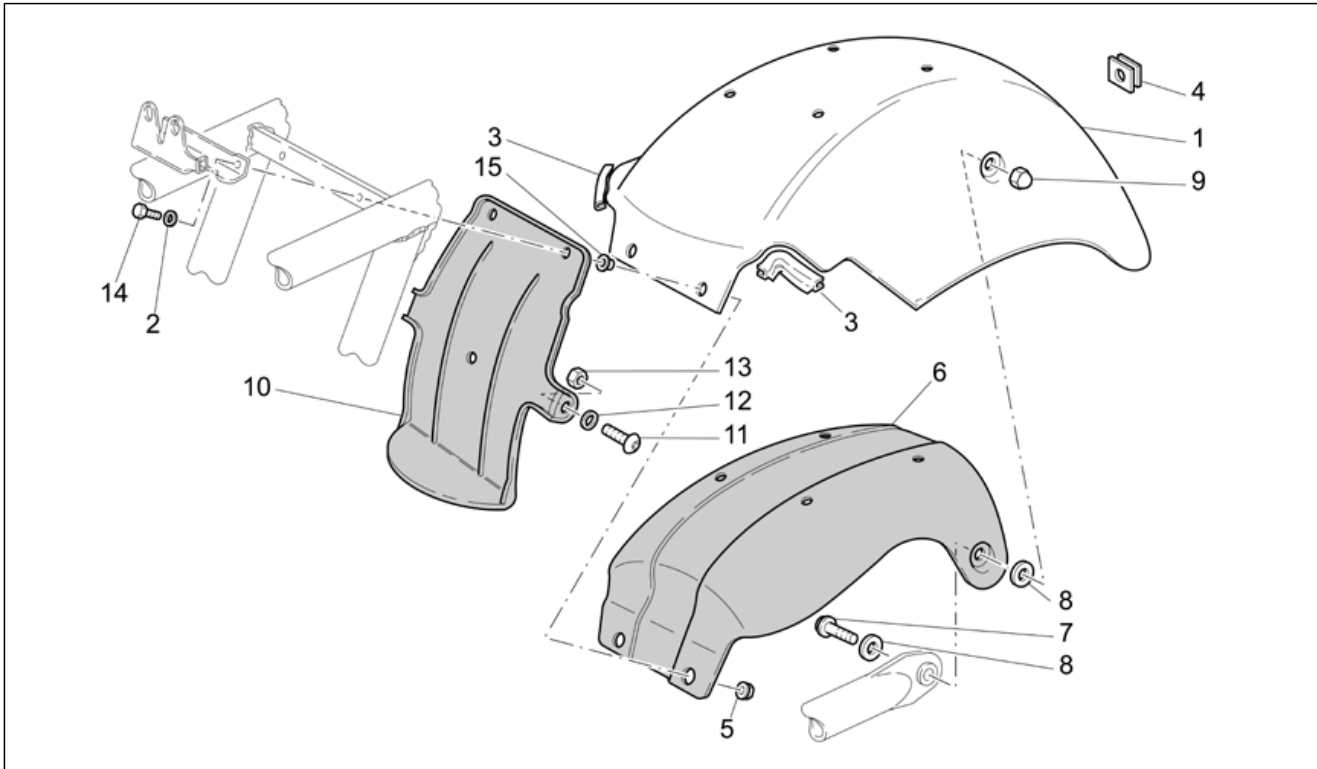
Pos.	Code	Description	Qty	Variants
8	977247	LH side cover white /g.	1	Vehicle colour:White/Grey 2006[w.grey] Technical Specifications:Touring Version[TOUR]
8	GU03476306	LH side cover blank	1	
8	GU03476306Y07	LH side cover red vintage	1	Vehicle colour:Vintage Red/Black 2007[red/bl.] Technical Specifications:Classic Version[CLAS]
9	GU03467410	RH front protect black	1	
10	GU03467411	LH front protect black	1	
11	GU03467310	RH rear wall	1	
12	GU03466910	LH rear wall	1	
13	GU98370645	screw	2	
14	GU03462801	Washer	6	
15	GU91551105	Rubber spacer	6	
16	GU03471810	Upper spacer	2	
17	GU28576591	Clip M6	4	
18	GU98370625	Hex socket screw	4	
19	GU03471801	Under spacer	4	
20	GU91551106	Rubber spacer	2	
21	GU91120806	Spacer	2	

<b>Group</b>	FRAME
<b>Code</b>	33.07
<b>Description</b>	Front mudguard
<b>Service</b>	1



Pos.	Code	Description	Qty	Variants
1	977274	Front mudguard, red	1	Vehicle colour:Red 2006[red]
1	977275	Front mudguard, white /g.	1	Vehicle colour:White/Grey 2006[w.grey]
1	GU03434300	Front mudguard blank	1	
1	GU03434313	Front mudguard red vintage	1	Vehicle colour:Vintage Red/Black 2007[red/bl.]
1	GU03434360	Front mudguard, black	1	Vehicle colour:Black 2006-2007[black]
2	GU03435200	Front RH side profile ch.plate	1	
3	GU03435400	Front LH side profile ch.plate	1	
4	GU39922200	Plate	28	
5	GU03435300	Rear RH side profile ch.plate	1	
6	GU03435500	Rear LH side profile ch.plate	1	
7	GU03436400	Rubber spacer	2	
8	GU03436500	Cable-guide	2	
9	GU03436300	Plate	4	
10	GU98082225	Hex screw	4	
11	GU92787205	Cap nut	4	
12	GU03436600	Stabilization plate	1	
13	GU98370850	Hex socket screw	4	
14	GU95005308	Washer 8,4x14,57x1,6	4	
15	GU98370622	Hex socket screw	4	
16	GU91551010	Rubber spacer	4	
17	GU30576100	Spacer D.6,5	4	

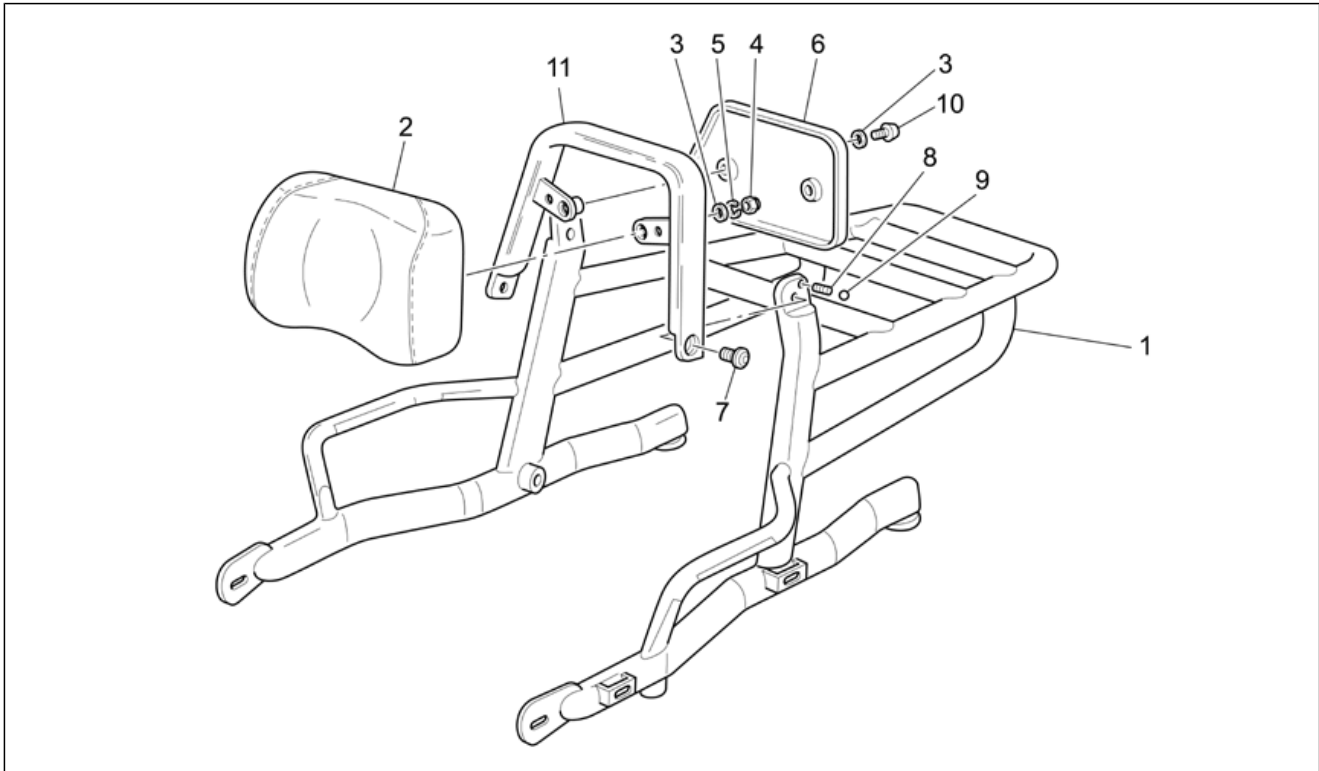
<b>Group</b>	FRAME
<b>Code</b>	33.08
<b>Description</b>	Rear mudguard
<b>Service</b>	1



Pos.	Code	Description	Qty	Variants
1	977231	Rear mudguard, red	1	Vehicle colour:Red 2006[red]
1	977232	Rear mudguard, white /g.	1	Vehicle colour:White/Grey 2006[w.grey]
1	GU03437110	Rear mudguard blank	1	
1	GU03437112	Rear mudguard, black	1	Vehicle colour:Black 2006-2007[black]
1	GU03437113	Rear mudguard red vintage	1	Vehicle colour:Vintage Red/Black 2007[red/bl.]
2	GU95008206	Washer 6,15x11x0,8	2	
3	GU00155930171	Gasket	1	
4	GU91551099	Rubber spacer	1	
5	GU92650036	Flanged nut M6	2	
6	GU03437430	U-bolt under rear mudguard	1	
7	GU98223835	Screw w/ flange	2	
8	GU95005312	Washer 8,5x24x2	4	
9	GU92787008	Cap nut M8x1,25	2	
10	GU03438030	Splash guard	1	
11	GU98350325	Hex socket screw M6x22	2	
12	GU95005320	Washer 6,5x20x1,5	2	
13	GU92630106	Nut M6x1	2	
14	GU98682325	Hex socket screw M6x25	2	
15	GU03578730	Spacer	2	

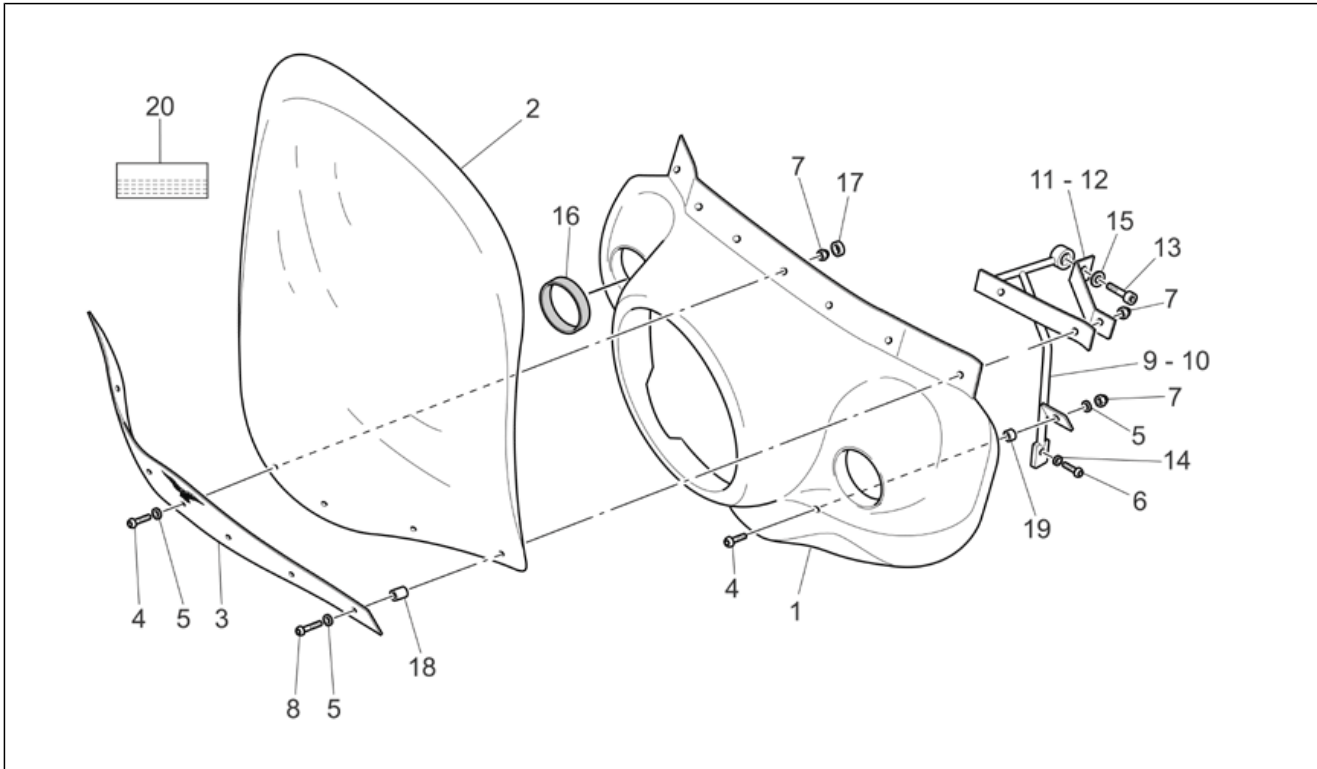


<b>Group</b>	FRAME
<b>Code</b>	33.09
<b>Description</b>	Luggage rack
<b>Service</b>	1



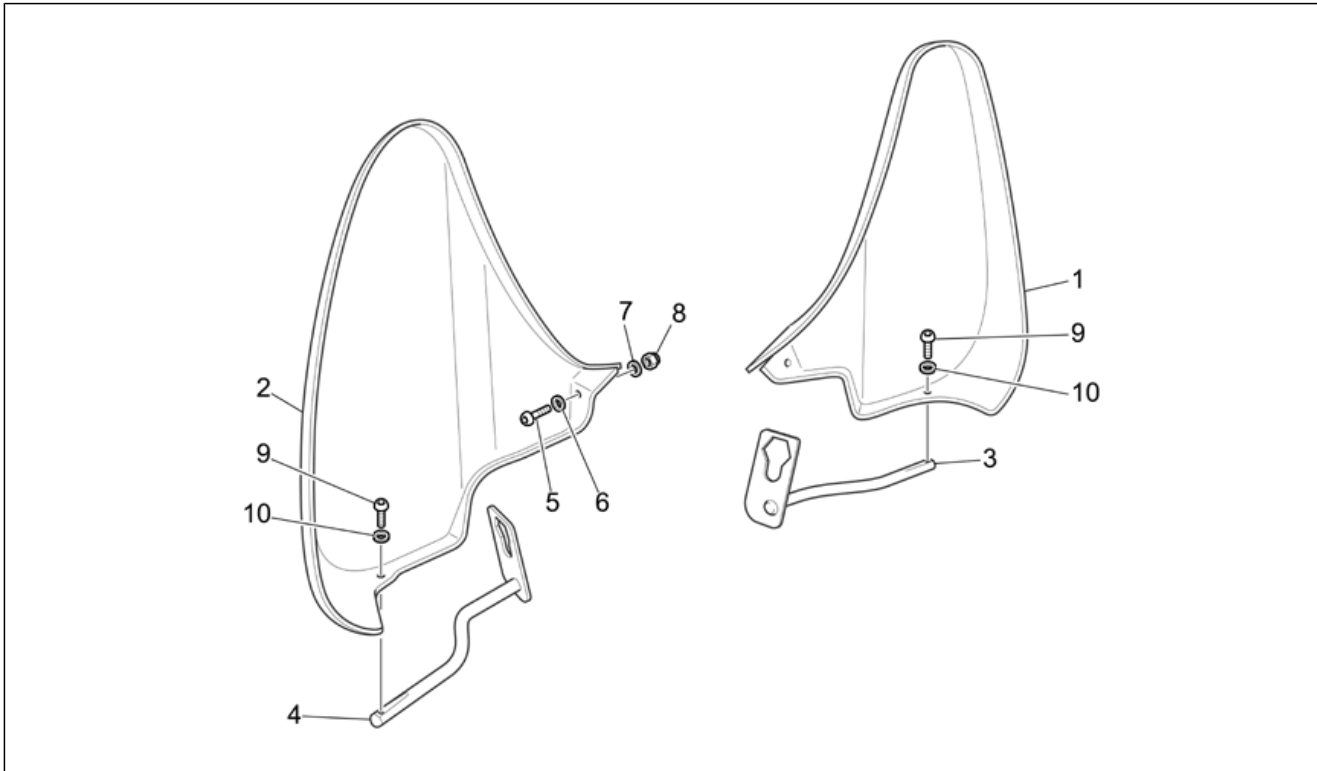
Pos.	Code	Description	Qty	Variants
1	GU03466672	Rear lugg.rack support	1	
2	GU03468010	Seat cushion	1	
3	GU95008306	Washer 6,4x12x1,2	4	
4	GU92606206	Nut	2	
5	GU03270300	Washer 8,4x15	2	
6	GU03468210	Cover	1	
7	GU03468100	screw	2	
8	GU94321007	Spring	1	
9	GU92295708	Ball	1	
10	GU98370619	Hex socket screw	2	
11	GU03466770	U-bolt	1	

<b>Group</b>	FRAME
<b>Code</b>	33.10
<b>Description</b>	TOURING Windshield
<b>Service</b>	1



Pos.	Code	Description	Qty	Variants
1	977238	Windshield, red	1	Vehicle colour:Red 2006[red] Technical Specifications:Touring Version[TOUR]
1	977239	Windshield bianco/grigio	1	Vehicle colour:White/Grey 2006[w.grey] Technical Specifications:Touring Version[TOUR]
1	GU03575415	Headlight windshield blank	1	Technical Specifications:Touring Version[TOUR]
1	GU03575426	Headlight windshield black	1	Vehicle colour:Black 2006-2007[black] Technical Specifications:Touring Version[TOUR]
2	GU03577210	Windscreen	1	Technical Specifications:Touring Version[TOUR]
3	GU03575515	Steel cover	1	Technical Specifications:Touring Version[TOUR]
4	GU98370621	Hex socket screw M6x20	5	Technical Specifications:Touring Version[TOUR]
5	GU95005306	Washer 6,4x13x1,5	9	Technical Specifications:Touring Version[TOUR]
6	GU98350215	Hex socket screw	2	Technical Specifications:Touring Version[TOUR]
7	GU92660007	Flanged nut M6x9	9	Technical Specifications:Touring Version[TOUR]
8	GU98370625	Hex socket screw	4	Technical Specifications:Touring Version[TOUR]
9	GU03578515	RH windshield support	1	Technical Specifications:Touring Version[TOUR]
10	GU03578615	LH windshield support	1	Technical Specifications:Touring Version[TOUR]
11	GU03578715	RH clamp	1	Technical Specifications:Touring Version[TOUR]
12	GU03578815	LH clamp	1	Technical Specifications:Touring Version[TOUR]
13	GU98370635	Hex socket screw M6x35	2	Technical Specifications:Touring Version[TOUR]
14	GU95008306	Washer 6,4x12x1,2	2	Technical Specifications:Touring Version[TOUR]
15	GU03013800	Washer 6,4x12	2	Technical Specifications:Touring Version[TOUR]
16	AP8144538	Gasket	2	Technical Specifications:Touring Version[TOUR]
17	GU03573915	Gasket	2	Technical Specifications:Touring Version[TOUR]
18	GU91110609	Spacer	7	Technical Specifications:Touring Version[TOUR]
19	GU91120605	Spacer	2	Technical Specifications:Touring Version[TOUR]
20	GU03944325	Decal "Attention"	1	Technical Specifications:Touring Version[TOUR]

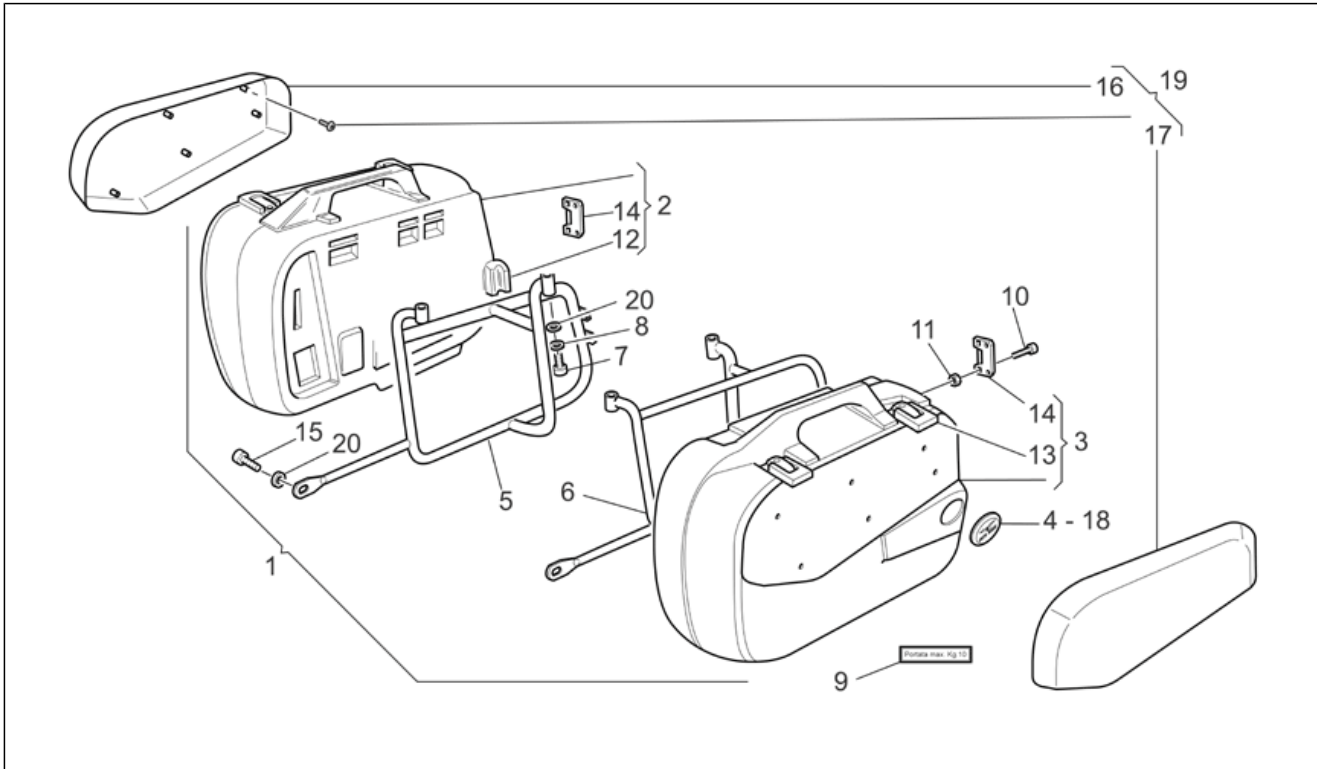
<b>Group</b>	FRAME
<b>Code</b>	33.11
<b>Description</b>	Toe guard TOURING
<b>Service</b>	1



Pos.	Code	Description	Qty	Variants
1	977236	RH toe guard red	1	Vehicle colour:Red 2006[red] Technical Specifications:Touring Version[TOUR]
1	977237	RH front footrest guard bianco	1	Vehicle colour:White/Grey 2006[w.grey] Technical Specifications:Touring Version[TOUR]
1	GU03586615	RH toe guard blank	1	Technical Specifications:Touring Version[TOUR]
1	GU03586626	RH toe guard black	1	Vehicle colour:Black 2006-2007[black] Technical Specifications:Touring Version[TOUR]
2	977240	LH front footrest guard rosso	1	Vehicle colour:Red 2006[red] Technical Specifications:Touring Version[TOUR]
2	977241	LH front footrest guard bianco	1	Vehicle colour:White/Grey 2006[w.grey] Technical Specifications:Touring Version[TOUR]
2	GU03586715	LH toe guard blank	1	Technical Specifications:Touring Version[TOUR]
2	GU03586726	LH toe guard black	1	Vehicle colour:Black 2006-2007[black] Technical Specifications:Touring Version[TOUR]
3	GU03443915	RH support	1	Technical Specifications:Touring Version[TOUR]
4	GU03444015	LH support	1	Technical Specifications:Touring Version[TOUR]
5	GU98223625	Screw w/ flange M6x25	2	Technical Specifications:Touring Version[TOUR]
6	GU66478610	Nylon washer 6X17X1	2	Technical Specifications:Touring Version[TOUR]
7	GU95008306	Washer 6,4x12x1,2	2	Technical Specifications:Touring Version[TOUR]
8	GU92630106	Nut M6x1	2	Technical Specifications:Touring Version[TOUR]
9	GU98350215	Hex socket screw	2	Technical Specifications:Touring Version[TOUR]
10	GU29577860	Washer	2	Technical Specifications:Touring Version[TOUR]

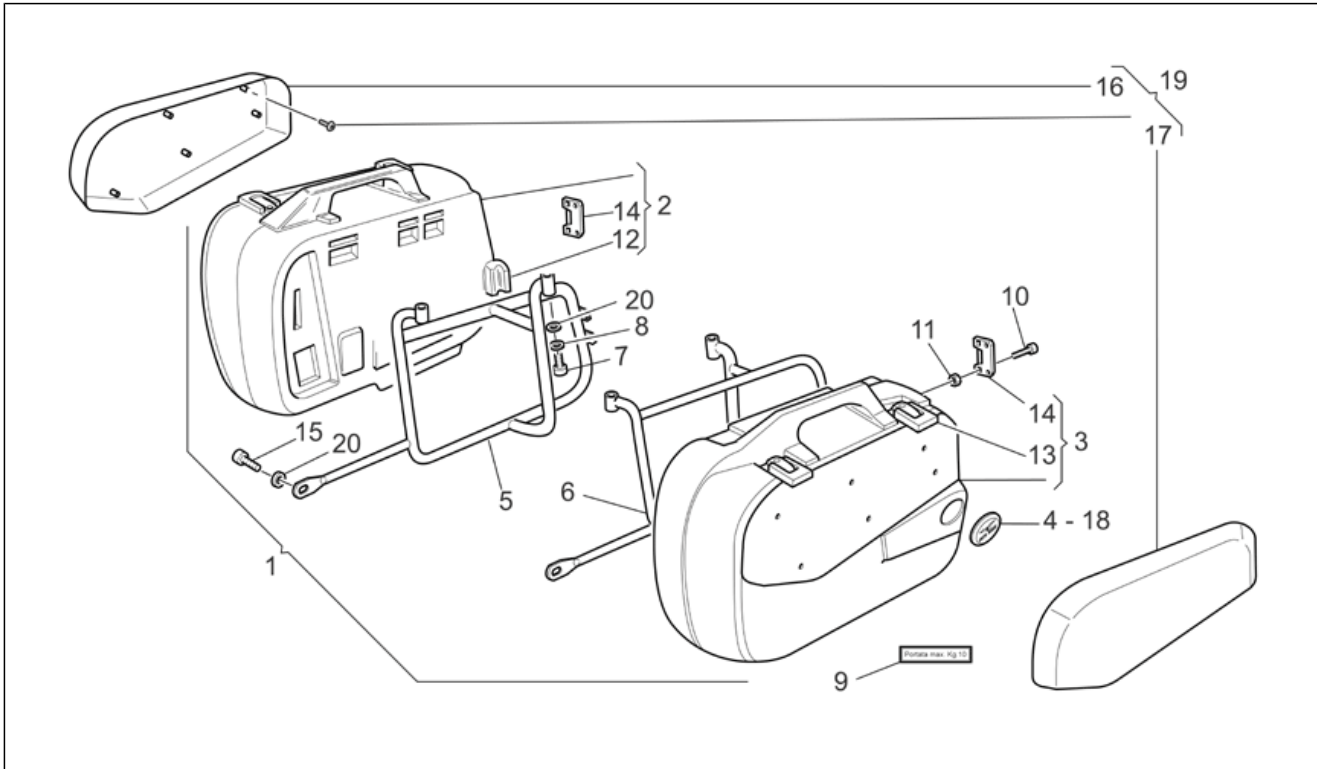


<b>Group</b>	FRAME
<b>Code</b>	33.12
<b>Description</b>	Touring Side cases
<b>Service</b>	1



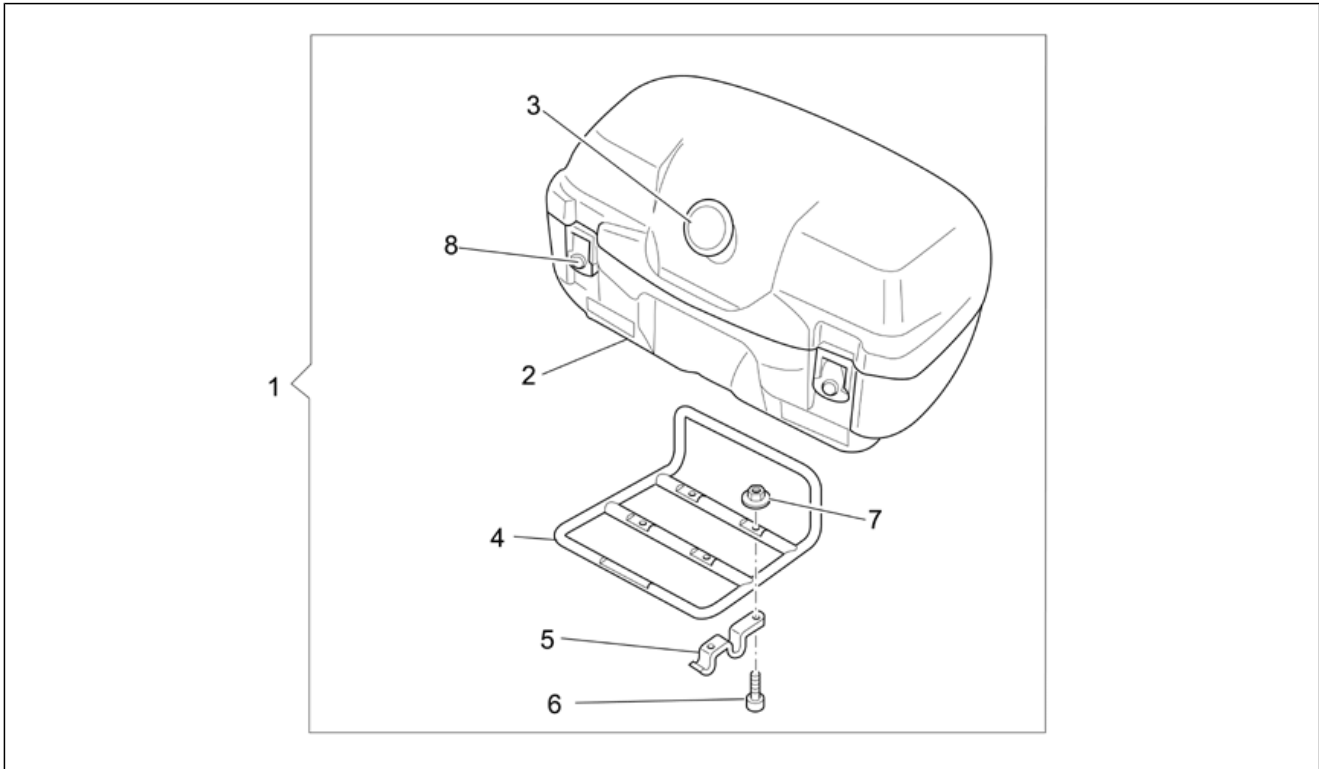
Pos.	Code	Description	Qty	Variants
1	GU973253600001	Suitcase kit 40 L	1	Technical Specifications:Touring Version[TOUR]
2	GU03482570	RH suitcase 40 L	1	Technical Specifications:Touring Version[TOUR]
3	GU03485770	LH suitcase 40 L	1	Technical Specifications:Touring Version[TOUR]
4	GU03482070	Moto Guzzi RH decal	1	Technical Specifications:Touring Version[TOUR]
5	GU03485070	RH support	1	Technical Specifications:Touring Version[TOUR]
6	GU03486570	LH support	1	Technical Specifications:Touring Version[TOUR]
7	GU98680445	Hex socket screw	2	Technical Specifications:Touring Version[TOUR]
8	GU95100253	Washer 8,4x15x1,8	2	Technical Specifications:Touring Version[TOUR]
9	GU29482400	Name plate Kg.10	2	Technical Specifications:Touring Version[TOUR]
10	GU98350318	Hex socket screw	4	Technical Specifications:Touring Version[TOUR]
11	GU92630106	Nut M6x1	4	Technical Specifications:Touring Version[TOUR]
12	GU03484000	Lock	2	Technical Specifications:Touring Version[TOUR]
13	GU03484001	Lock	4	Technical Specifications:Touring Version[TOUR]
14	GU00979726	Lock plate	2	Technical Specifications:Touring Version[TOUR]
15	GU98680445	Hex socket screw	4	Technical Specifications:Touring Version[TOUR]
16	977278	RH insert bag red vintage	1	Vehicle colour:Red 2006[red] Technical Specifications:Touring Version[TOUR]
16	977280	RH insert bag white state	1	Vehicle colour:White/Grey 2006[w.grey] Technical Specifications:Touring Version[TOUR]
16	GU03484470	RH insert bag blank	1	Technical Specifications:Touring Version[TOUR]
16	GU03484471	RH insert bag black	1	Vehicle colour:Black 2006-2007[black] Technical Specifications:Touring Version[TOUR]
17	977279	LH insert bag red vintage	1	Vehicle colour:Red 2006[red] Technical Specifications:Touring Version[TOUR]
17	977281	LH insert bag white state	1	Vehicle colour:White/Grey 2006[w.grey] Technical Specifications:Touring Version[TOUR]
17	GU03484570	LH insert bag blank	1	Technical Specifications:Touring Version[TOUR]
17	GU03484571	LH insert bag black	1	Vehicle colour:Black 2006-2007[black] Technical Specifications:Touring Version[TOUR]

<b>Group</b>	FRAME
<b>Code</b>	33.12
<b>Description</b>	Touring Side cases
<b>Service</b>	1



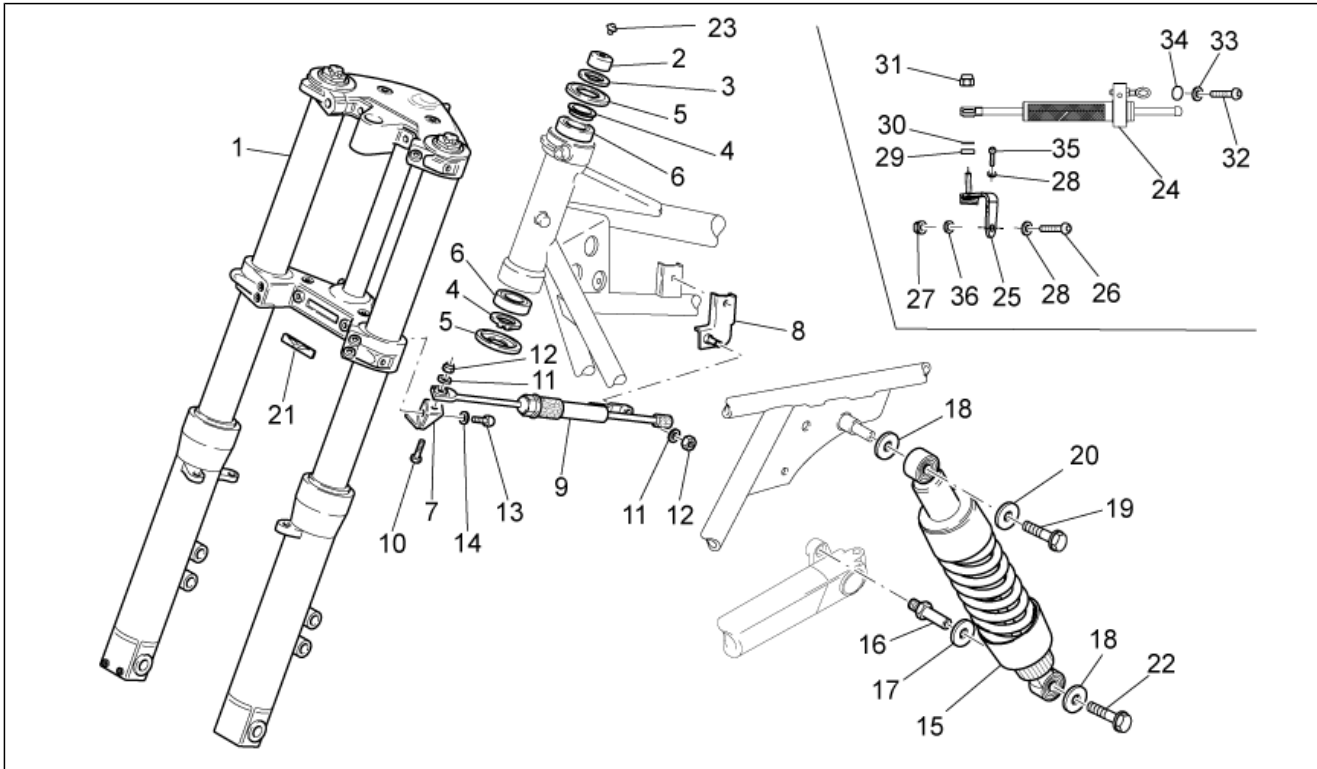
Pos.	Code	Description	Qty	Variants
18	GU03482071	Moto Guzzi LH decal	1	<b>Technical Specifications:</b> Touring Version[TOUR]
19	977248	Inserts kit red	1	<b>Vehicle colour:</b> Red 2006[red] <b>Technical Specifications:</b> Touring Version[TOUR]
19	977249	Inserts kit white	1	<b>Vehicle colour:</b> White/Grey 2006[w.grey] <b>Technical Specifications:</b> Touring Version[TOUR]
19	GU03484370	Inserts kit blank	1	<b>Technical Specifications:</b> Touring Version[TOUR]
19	GU03484371	Inserts kit black	1	<b>Vehicle colour:</b> Black 2006-2007[black] <b>Technical Specifications:</b> Touring Version[TOUR]
20	GU03270300	Washer 8,4x15	6	<b>Technical Specifications:</b> Touring Version[TOUR]

<b>Group</b>	FRAME
<b>Code</b>	33.13
<b>Description</b>	45 L top box TOURING
<b>Service</b>	1



Pos.	Code	Description	Qty	Variants
1	GU03487501	Top box kit 45 L	1	<b>Technical Specifications:</b> Touring Version[TOUR]
2	GU03487600	Top box 45 L	1	<b>Technical Specifications:</b> Touring Version[TOUR]
3	GU03482000	"MotoGuzzi" dec. 45 L	1	<b>Technical Specifications:</b> Touring Version[TOUR]
4	GU31487765	Support plate	1	<b>Technical Specifications:</b> Touring Version[TOUR]
5	GU03487802	Bracket	2	<b>Technical Specifications:</b> Touring Version[TOUR]
6	GU98350320	Hex socket screw M6x20	4	<b>Technical Specifications:</b> Touring Version[TOUR]
7	GU92660007	Flanged nut M6x9	4	<b>Technical Specifications:</b> Touring Version[TOUR]
8	GU03484001	Lock	2	<b>Technical Specifications:</b> Touring Version[TOUR]

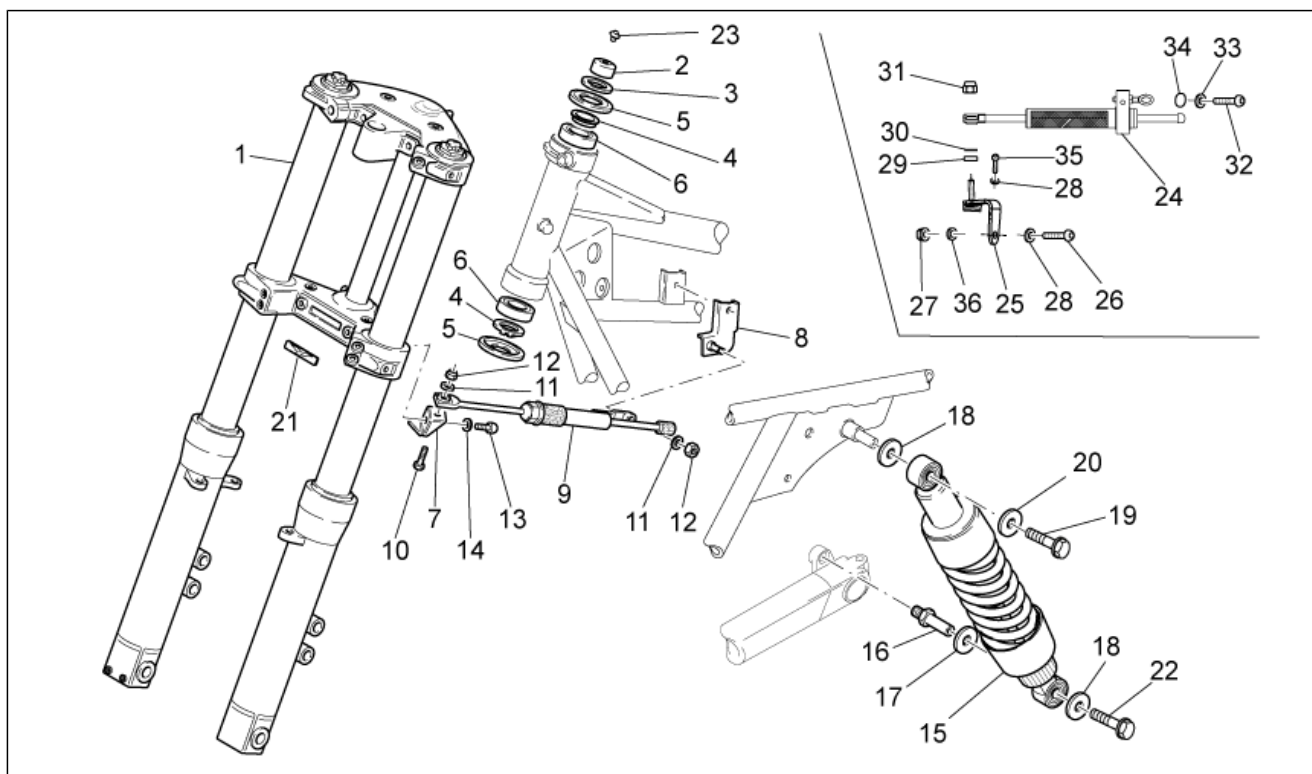
<b>Group</b>	FRAME
<b>Code</b>	33.14
<b>Description</b>	F.fork-R.shock absorber
<b>Service</b>	1



Pos.	Code	Description	Qty	Variants
1	GU03490270	Front fork	1	
2	GU30513401	Head fixing nut	1	
3	GU30516500	Washer	1	
4	GU14516700	Clearance washer	2	
5	GU14517000	Dust cover	2	
6	GU92249225	Tap.roller bearing	2	
7	GU03531800	Shock absorber plate	1	Year:2006[6], 2007[7] Technical Specifications:1st Serie[1A]
8	977398	plate	1	Year:2008[8] Technical Specifications:2nd Serie[2A]
8	GU03531000	plate	1	Year:2006[6], 2007[7] Technical Specifications:1st Serie[1A]
9	GU03530270	Steering shock absorber SEBAC	1	Year:2006[6], 2007[7] Technical Specifications:1st Serie[1A]
10	GU98084325	Hex screw M6x25	1	Year:2006[6], 2007[7] Technical Specifications:1st Serie[1A]
11	GU95100118	Washer 6,2X18X1	2	Year:2006[6], 2007[7] Technical Specifications:1st Serie[1A]
12	GU92630707	Nut	2	Year:2006[6], 2007[7] Technical Specifications:1st Serie[1A]
13	GU98370619	Hex socket screw	1	Year:2006[6], 2007[7] Technical Specifications:1st Serie[1A]
14	GU95005306	Washer 6,4x13x1,5	1	
15	GU03550214	Rear shock absorber SACHS	2	
16	GU03555250	Rear swing arm pin	1	
17	GU95129240	Washer	2	
18	GU95005330	Washer 6,4x30x1,5	2	
19	AP8152278	Screw w/ flange M6x16	2	
20	GU95100141	Washer 6,4x12x1,2	2	
21	GU01517700	Decal "Aquila"	1	



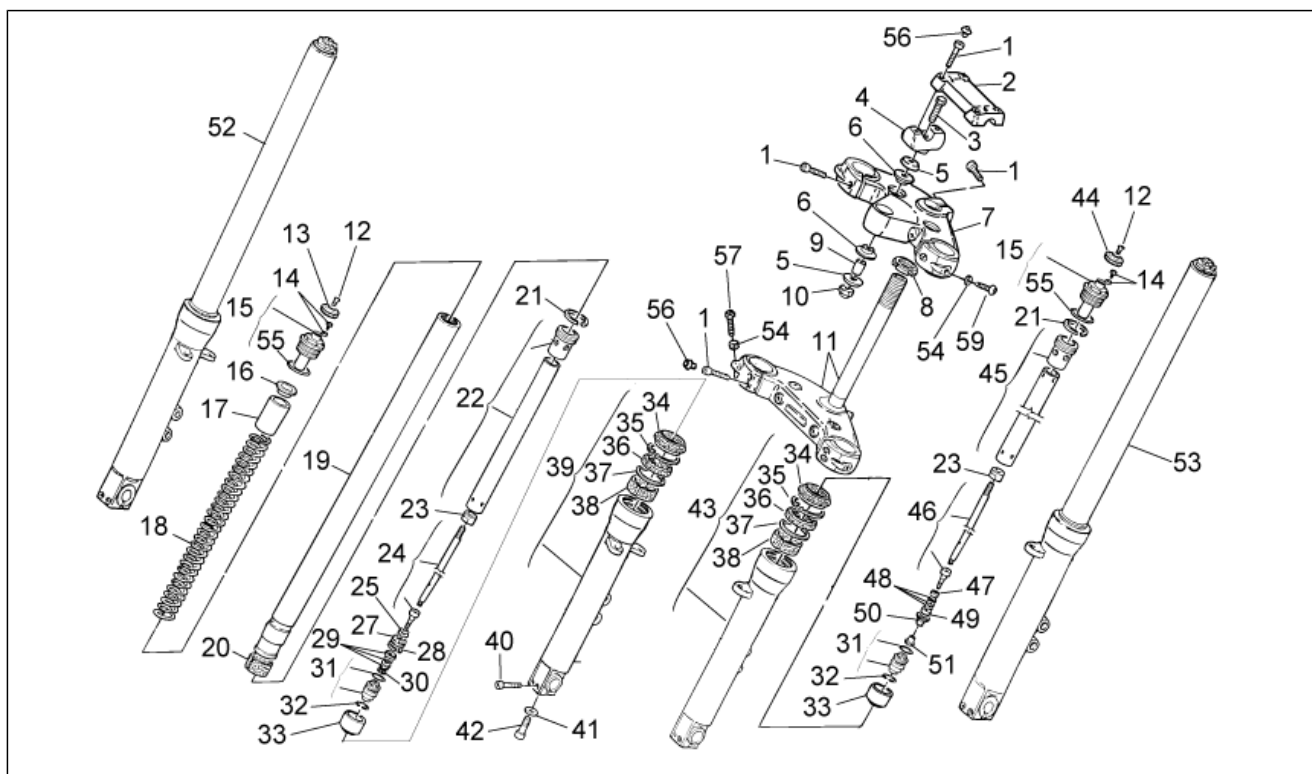
<b>Group</b>	FRAME
<b>Code</b>	33.14
<b>Description</b>	F.fork-R.shock absorber
<b>Service</b>	1



Pos.	Code	Description	Qty	Variants
22	AP8152277	Screw w/ flange M6x12	2	
23	GU23943510	Plug	1	
24	883155	Steering shock absorber BITUBO	1	Year:2008[8] Technical Specifications:2nd Serie[2A]
25	883157	Shock absorber plate	1	Year:2008[8] Technical Specifications:2nd Serie[2A]
26	GU98370625	Hex socket screw	1	Year:2008[8] Technical Specifications:2nd Serie[2A]
27	GU92630106	Nut M6x1	1	Year:2008[8] Technical Specifications:2nd Serie[2A]
28	GU03013800	Washer 6,4x12	3	Year:2008[8] Technical Specifications:2nd Serie[2A]
29	GU91180605	Spacer	1	Year:2008[8] Technical Specifications:2nd Serie[2A]
30	GU14217901	Washer 6,4x10x0,7	1	Year:2008[8] Technical Specifications:2nd Serie[2A]
31	GU92787006	Cap nut M6x1	1	Year:2008[8] Technical Specifications:2nd Serie[2A]
32	GU98370622	Hex socket screw	1	Year:2008[8] Technical Specifications:2nd Serie[2A]
33	GU95005320	Washer 6,5x20x1,5	1	Year:2008[8] Technical Specifications:2nd Serie[2A]
34	GU90706108	O-ring	1	Year:2008[8] Technical Specifications:2nd Serie[2A]
35	GU98370621	Hex socket screw M6x20	3	Year:2008[8] Technical Specifications:2nd Serie[2A]
36	GU95100121	Washer 5,3x10x0,5	1	Year:2008[8] Technical Specifications:2nd Serie[2A]

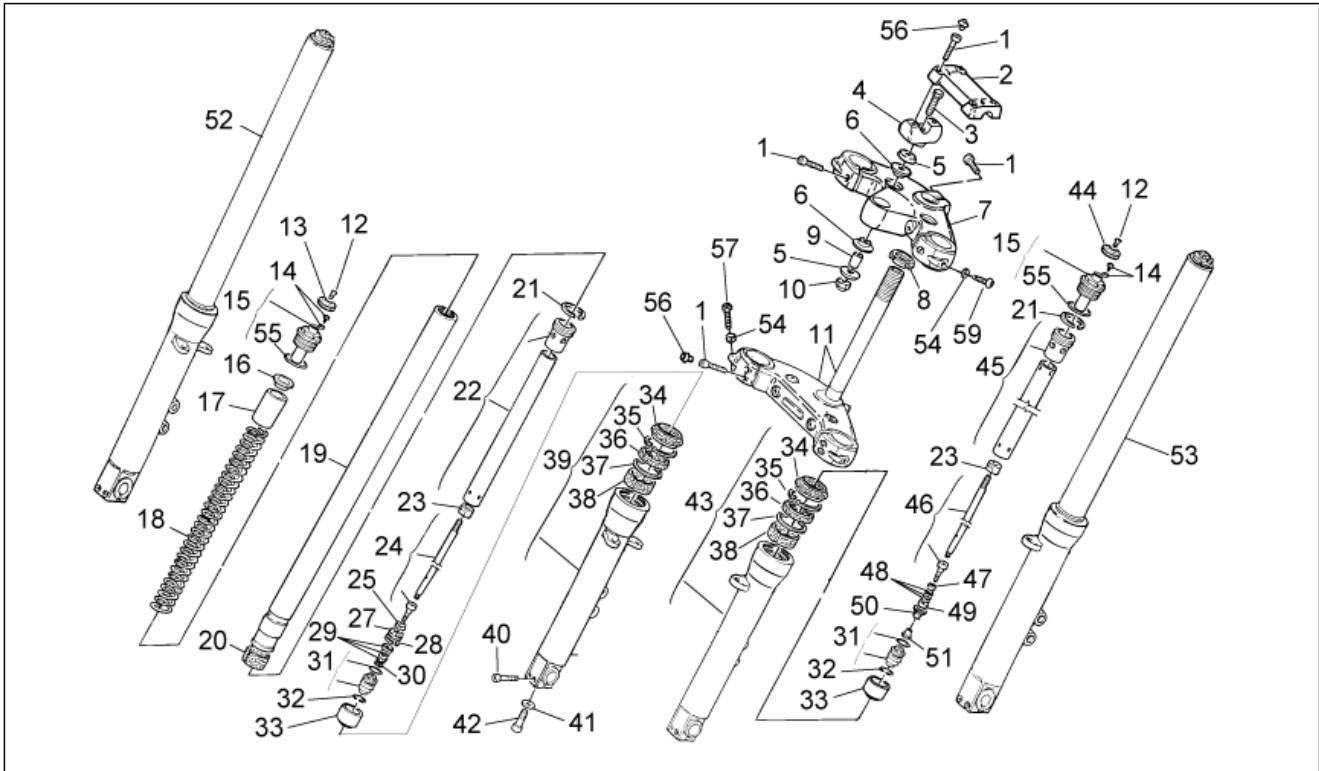


<b>Group</b>	FRAME
<b>Code</b>	33.15
<b>Description</b>	Front fork
<b>Service</b>	1



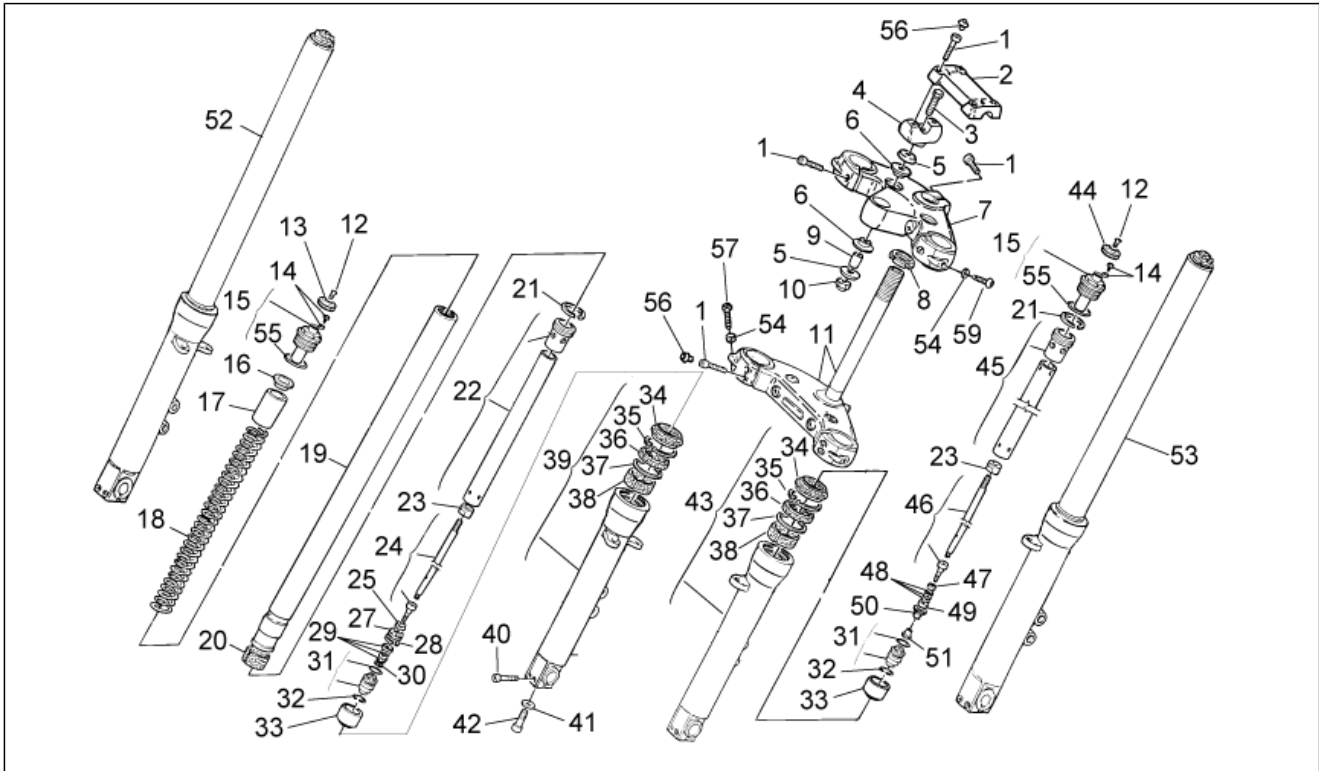
Pos.	Code	Description	Qty	Variants
1	GU98622430	screw	11	
2	GU03500660	U-bolt	1	
3	GU98052560	screw M10x60	2	
4	GU03500260	Lower U-bolt	4	
5	GU27530505	Cup	4	
6	AP8144222	Rubber spacer	4	
7	GU03493100	Fork upper plate	1	
8	GU03498100	Ring nut	1	
9	GU91181039	Spacer	2	
10	GU92630110	Nut M10X1,5	2	
11	GU03494000	Stem base	1	
12	GU03530504	screw	2	
13	GU03530505	RH adjustment knob rebound	1	
14	GU03530506	Screw with OR	2	
15	GU03530507	Plug cpl.	2	
16	GU03530508	Cup	2	
17	GU03530509	Preload tube	2	
18	GU03526600	Spring	2	
19	GU03525400	Sleeve	2	
20	GU03530510	Lower bush	2	
21	GU03530511	Ring	2	
22	GU03530512	RH hub	1	
23	GU03530513	Return nut	2	
24	GU03530514	RH shock absorber	1	
25	GU03530515	Return spring	1	
26	GU03530516	RH piston rebound	1	
27	GU03530517	RH piston segmentrebound	1	
28	GU03530518	RH needle rebound	1	

<b>Group</b>	FRAME
<b>Code</b>	33.15
<b>Description</b>	Front fork
<b>Service</b>	1



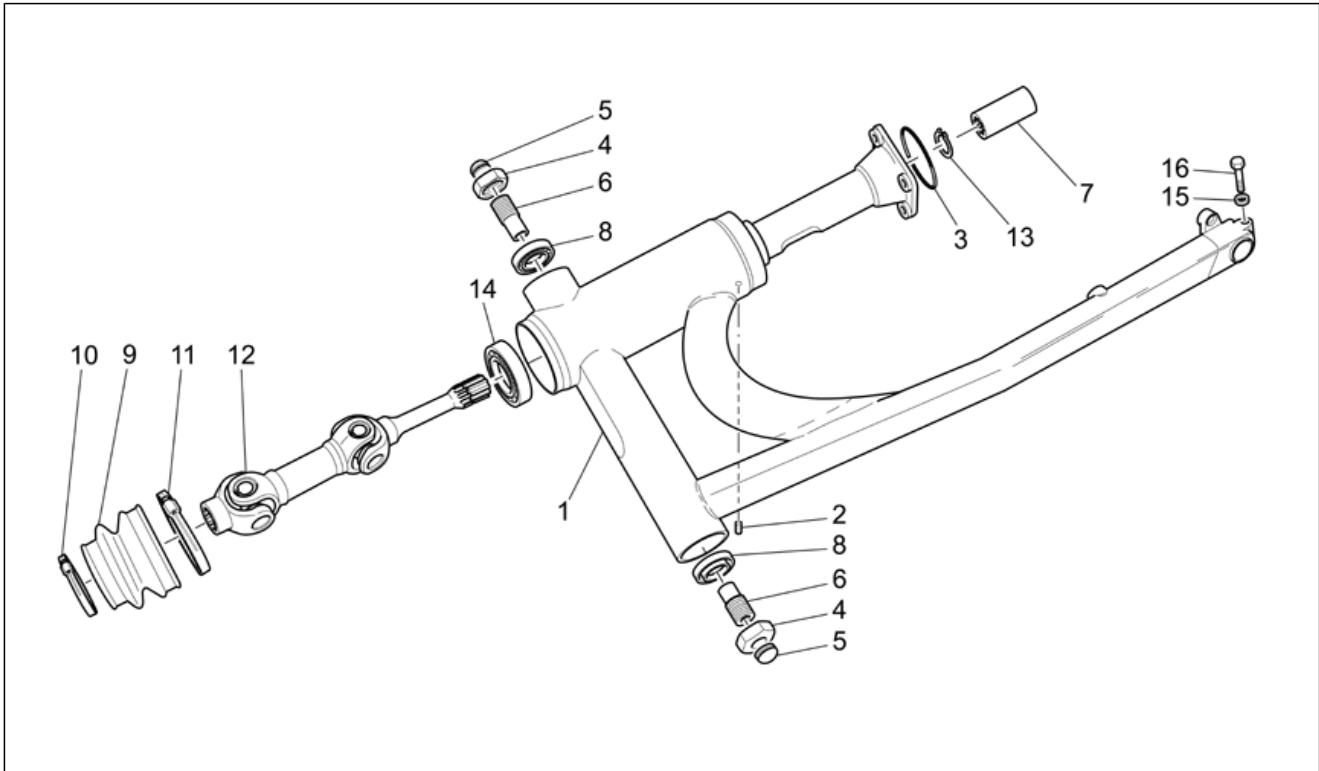
Pos.	Code	Description	Qty	Variants
29	GU03530519	Calibration blade	5	
30	GU03530520	Nut	1	
31	GU03530521	Stroke limit stop	2	
32	GU03530522	O-ring	2	
33	GU03530523	Adaptor	2	
34	GU03530524	Dust cover	2	
35	GU03530525	Stop ring	2	
36	GU03530526	Gasket ring	2	
37	GU03530527	Cup	2	
38	GU03530528	Upper bush	2	
39	GU03522501001	RH sleeve	1	
40	GU98620340	screw	4	
41	GU03530529	Washer	2	
42	GU03530530	screw M10x30	2	
43	GU03522601001	LH sleeve	1	
44	GU03530531	LH adjustment knob comp.	1	
45	GU03530532	LH hub	1	
46	GU03530533	LH shock absorber	1	
47	GU03530534	Cup	1	
48	GU03530535	Calibration blade 12 mm	1	
48	GU03530536	Calibration blade 15 mm	1	
48	GU03530537	Calibration blade 17 mm	1	
49	GU03530538	LH needle compression	1	
50	GU03530539	LH piston compression	1	
51	GU03530540	Nut	1	
52	GU03490601	RH hub cpl.	1	
53	GU03490701	LH hub cpl.	1	
54	GU95005306	Washer 6,4x13x1,5	4	

<b>Group</b>	FRAME
<b>Code</b>	33.15
<b>Description</b>	Front fork
<b>Service</b>	1



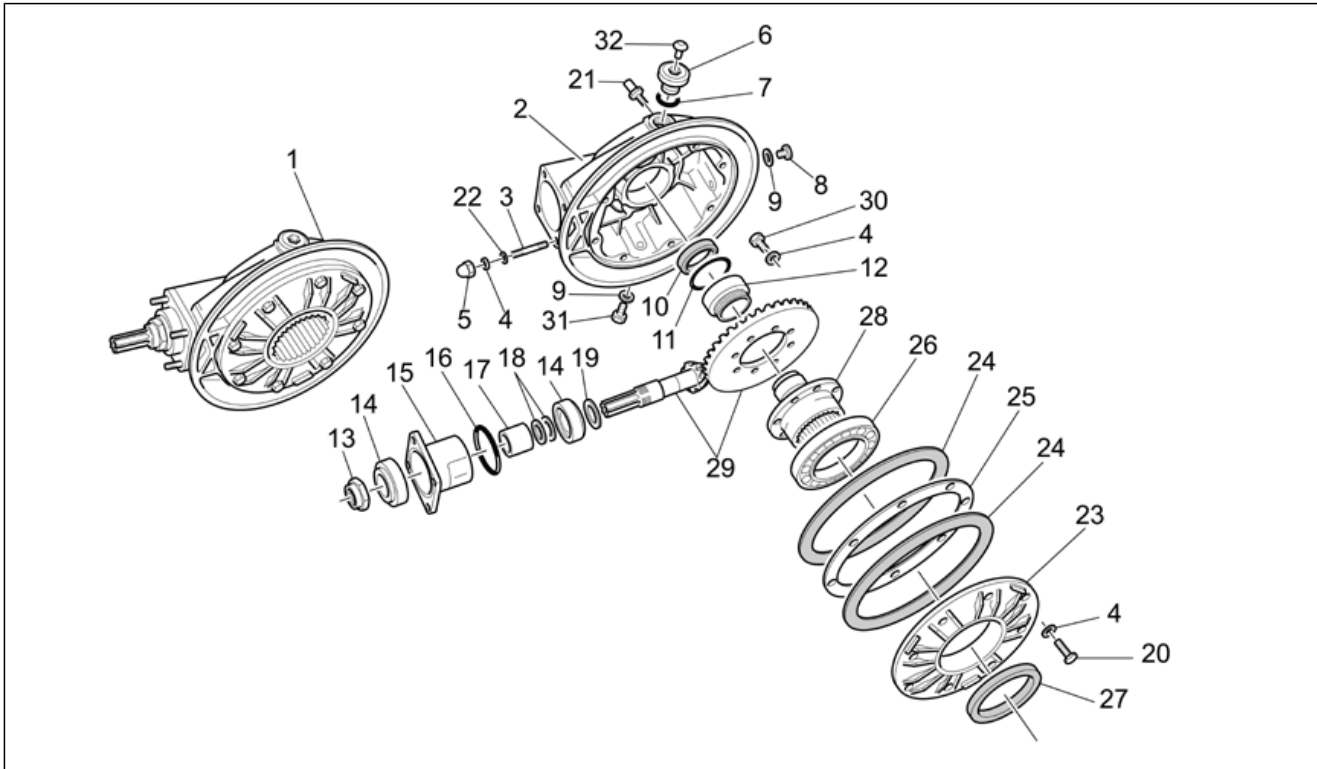
Pos.	Code	Description	Qty	Variants
55	GU03530541	O-ring	2	
56	GU23943410	Plug	8	
57	GU98370619	Hex socket screw	4	
58	GU03526601	Spring	1	

<b>Group</b>	FRAME
<b>Code</b>	33.16
<b>Description</b>	Transmission complete I
<b>Service</b>	1



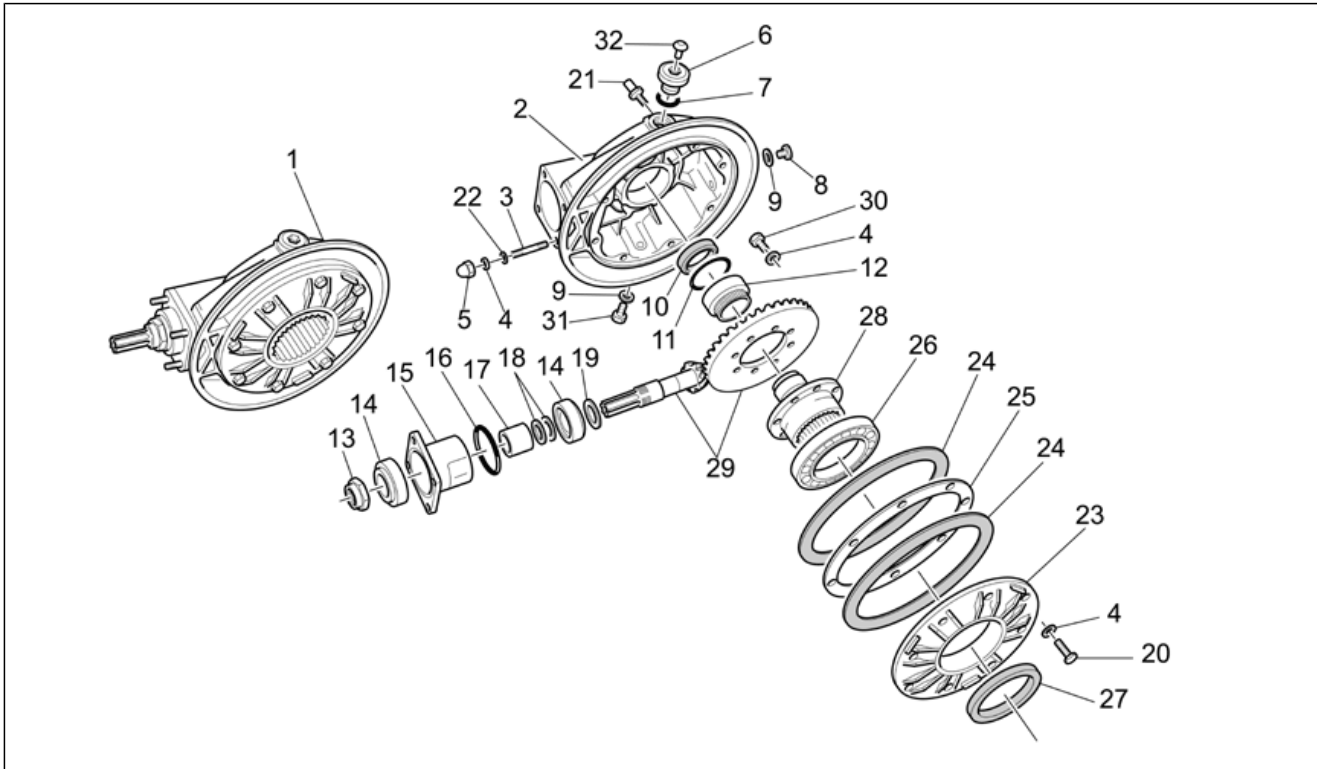
Pos.	Code	Description	Qty	Variants
1	GU03540255	Swing arm	1	
2	GU98460105	Dowel	1	
3	GU90706584	Gasket 58,42x2,62	1	
4	GU03547800	Cap nut	2	
5	GU93180105	Cover	2	
6	GU03547060	Pin	2	
7	GU12327700	Hose	1	
8	GU92249213	Tap.roller bearing 17x4	2	
9	GU18548000	Protection collar	1	
10	GU93306050	Clamp 50x90x9	1	
11	GU93306070	Clamp 70x90x9	1	
12	GU03328050	Double joint	1	
13	GU90271020	Snap ring	2	
14	GU92204230	Ball bearing 30x62x16	1	
15	GU95008210	Washer 10,2X18X2	1	
16	GU98082540	Hex screw M10x40	1	

<b>Group</b>	FRAME
<b>Code</b>	33.17
<b>Description</b>	Transmission complete II
<b>Service</b>	1



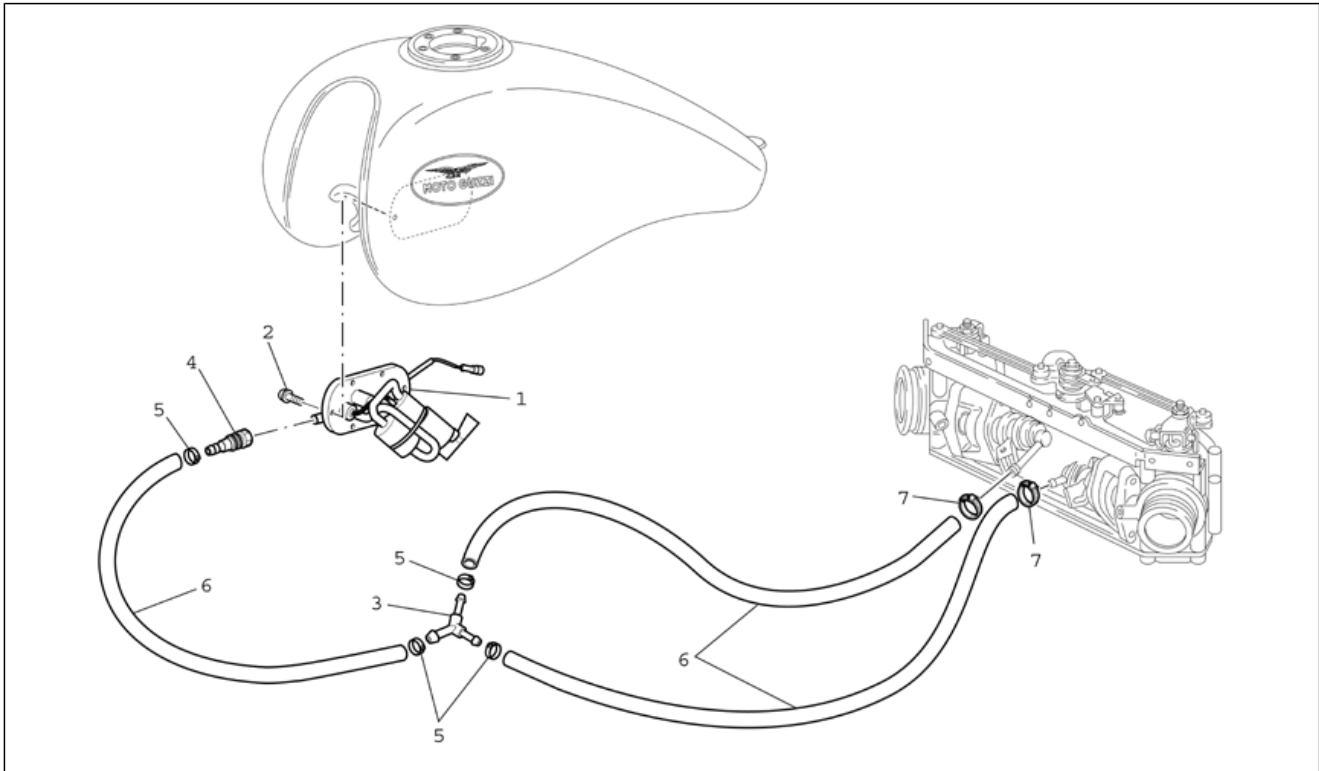
Pos.	Code	Description	Qty	Variants
1	GU30350262	Transmission complete 8/33	1	
2	GU30350360	Transmission housing	1	
3	GU96508045	Stud bolt 8x46	4	
4	GU14615901	Washer 8,4X13X0,8	20	
5	GU92787008	Cap nut M8x1,25	4	
6	GU12022600	Oil plug	1	
7	GU90706203	O-ring 20,24X2,62	1	
8	GU95980214	Oil level plug	1	
9	GU01528930	Gasket 10x18x1,5	2	
10	GU90413850	Gasket ring 38X50X7	1	
11	GU12351100	Gasket ring	1	
12	GU92254340	Roller bearing 40x55x17	1	
13	GU30356760	Nut	1	
14	GU92249227	Tap.roller bearing 25x5	2	
15	GU18352400	Flange	1	
16	GU90706584	Gasket 58,42x2,62	1	
17	GU18355100	Spacer	1	
18	GU12355202	Shim 0,1 mm	2	
18	GU12355203	Shim 0,15 mm	2	
19	GU19355320	Spacer 1 mm	2	
19	GU19355321	Spacer 1,1 mm	2	
19	GU19355322	Spacer 1,2 mm	2	
19	GU19355323	Spacer 1,3 mm	2	
19	GU19355324	Spacer 1,4 mm	2	
19	GU19355325	Spacer 1,5 mm	2	
19	GU19355326	Spacer 1,6 mm	2	
19	GU19355327	Spacer 1,7 mm	2	
19	GU19355328	Spacer 1,8 mm	2	

<b>Group</b>	FRAME
<b>Code</b>	33.17
<b>Description</b>	Transmission complete II
<b>Service</b>	1



Pos.	Code	Description	Qty	Variants
19	GU19355329	Spacer 1,9 mm	2	
20	GU19357660	screw	8	
21	GU03555250	Rear swing arm pin	1	
22	GU95005308	Washer 8,4x14,57x1,6	4	
23	GU17350400	Flange	1	
24	GU17350700	Gasket	2	
25	GU17355400	Spacer 0,8 mm	1	
25	GU17355402	Spacer 0,9 mm	1	
25	GU17355404	Spacer 1 mm	1	
25	GU17355406	Spacer 1,1 mm	1	
25	GU17355408	Spacer 1,2 mm	1	
25	GU17355410	Spacer 1,3 mm	1	
25	GU17355412	Spacer 1,5 mm	1	
26	GU92201070	Ball bearing 70x110x13	1	
27	GU90417085	Gasket ring 70X85X8	1	
28	GU17351401	Drive flange	1	
29	GU30354602	Bevel gear 8/33	1	
30	GU12356300	screw	8	
31	GU31003766	Oil unload plug M10x1	1	
32	GU93180245	Cover	1	

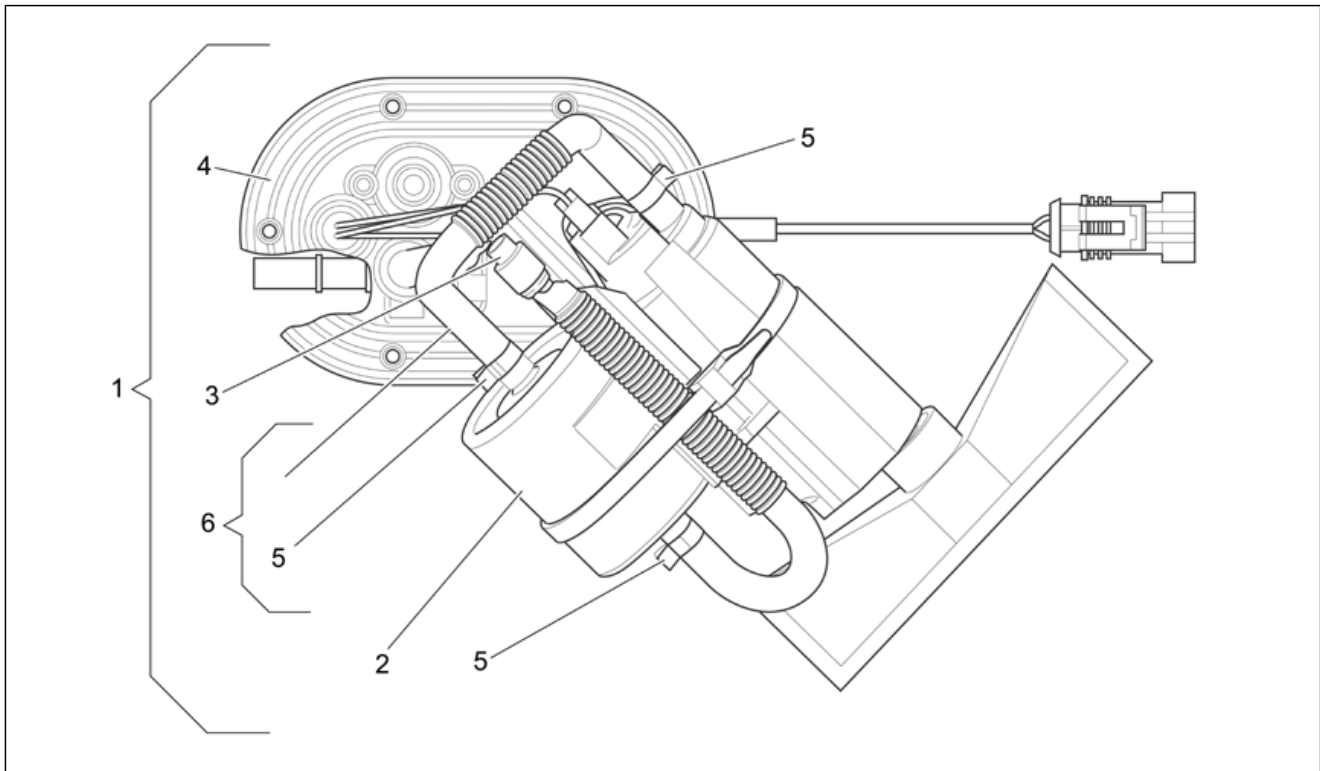
<b>Group</b>	FRAME
<b>Code</b>	33.18
<b>Description</b>	Fuel supply
<b>Service</b>	1



Pos.	Code	Description	Qty	Variants
1	GU03107270	Fuel pump cpl.	1	
2	AP8152273	Screw w/ flange M5x16	6	
3	GU29106860	3-way union	1	
4	GU01106692	Joint	1	
5	GU28157950	Hose clip 12,5x8	4	
6	GU00823952080	Fuel pipe SAEJ30R9	1	
7	GU93306017	Hose clamp	2	



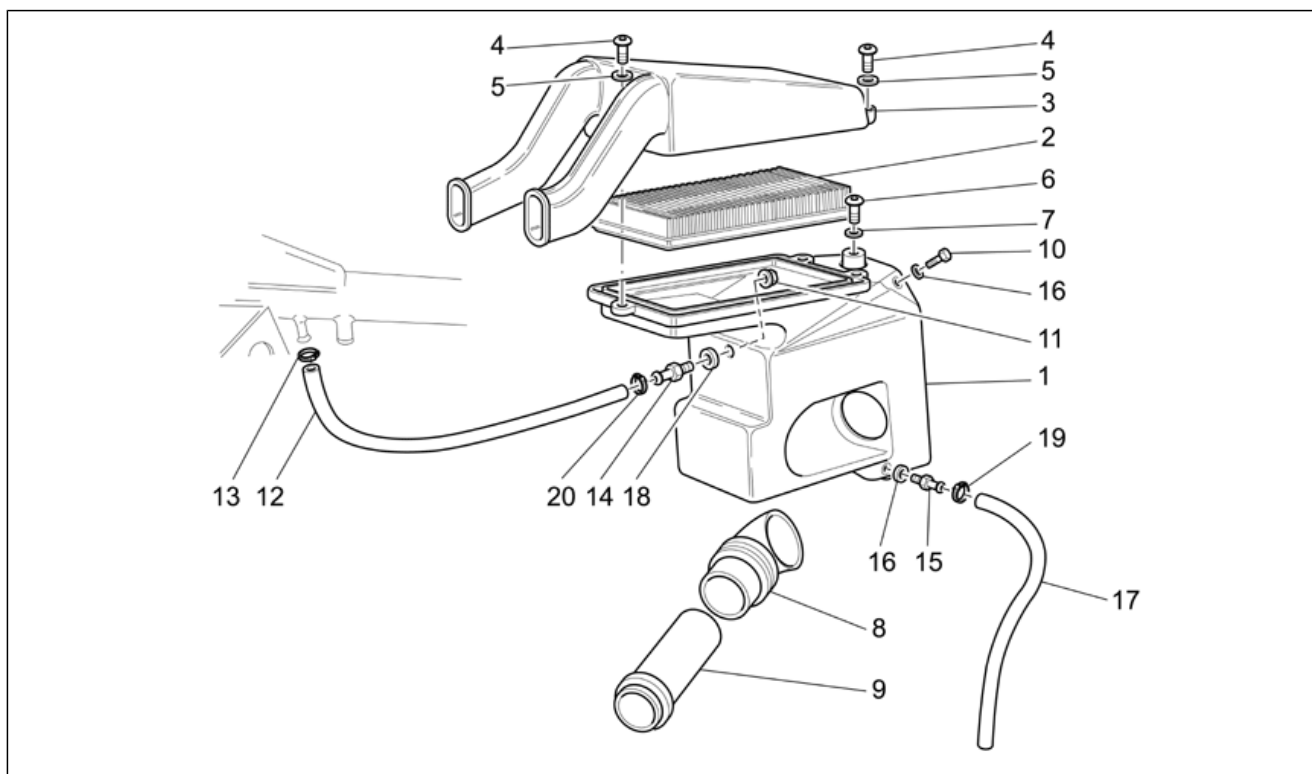
<b>Group</b>	FRAME
<b>Code</b>	33.19
<b>Description</b>	Fuel pump
<b>Service</b>	1



Pos.	Code	Description	Qty	Variants
1	GU03107270	Fuel pump cpl.	1	
2	GU01106090	Fuel filter	1	
3	GU03103070	Thermistor	1	
4	GU01107490	Gasket	1	
5	GU01108490	Hose clamp 11,3	4	
6	GU03106170	Fuel pipe	1	

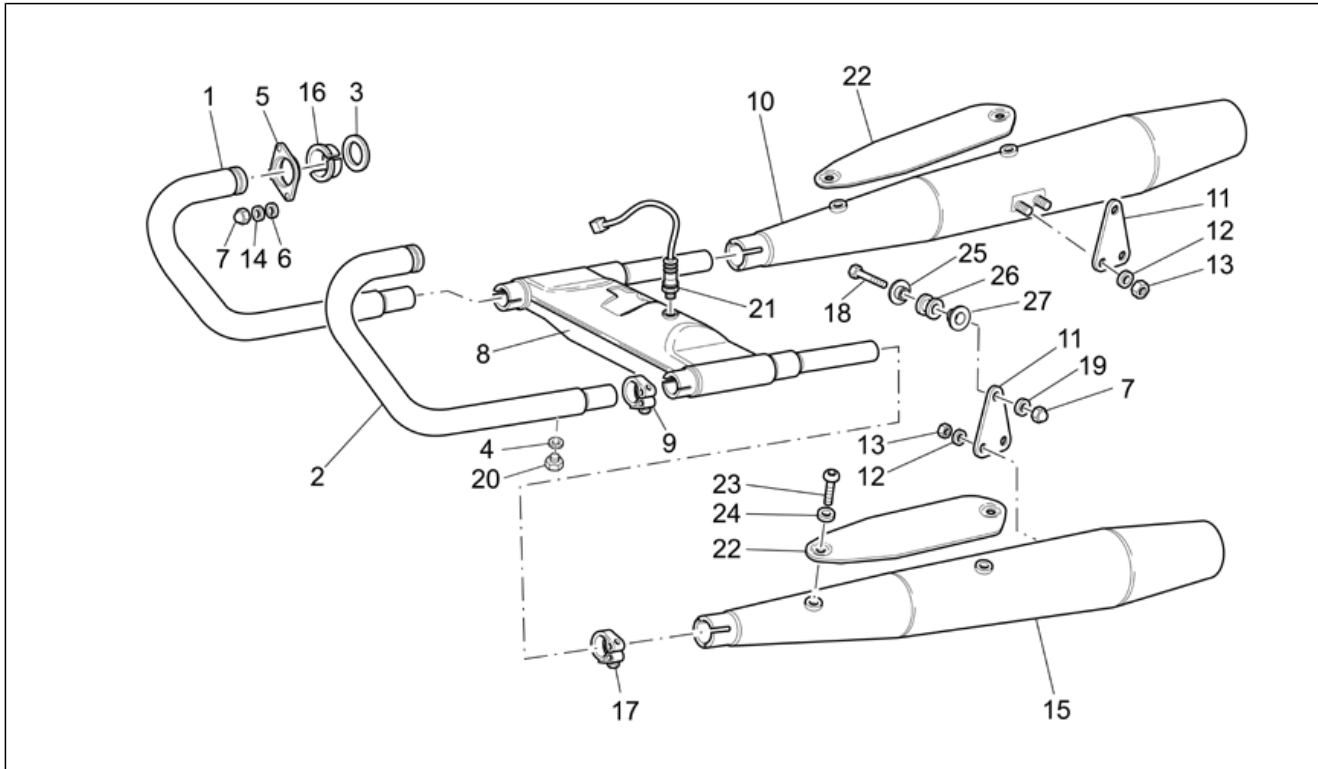


<b>Group</b>	FRAME
<b>Code</b>	33.20
<b>Description</b>	Air box
<b>Service</b>	1



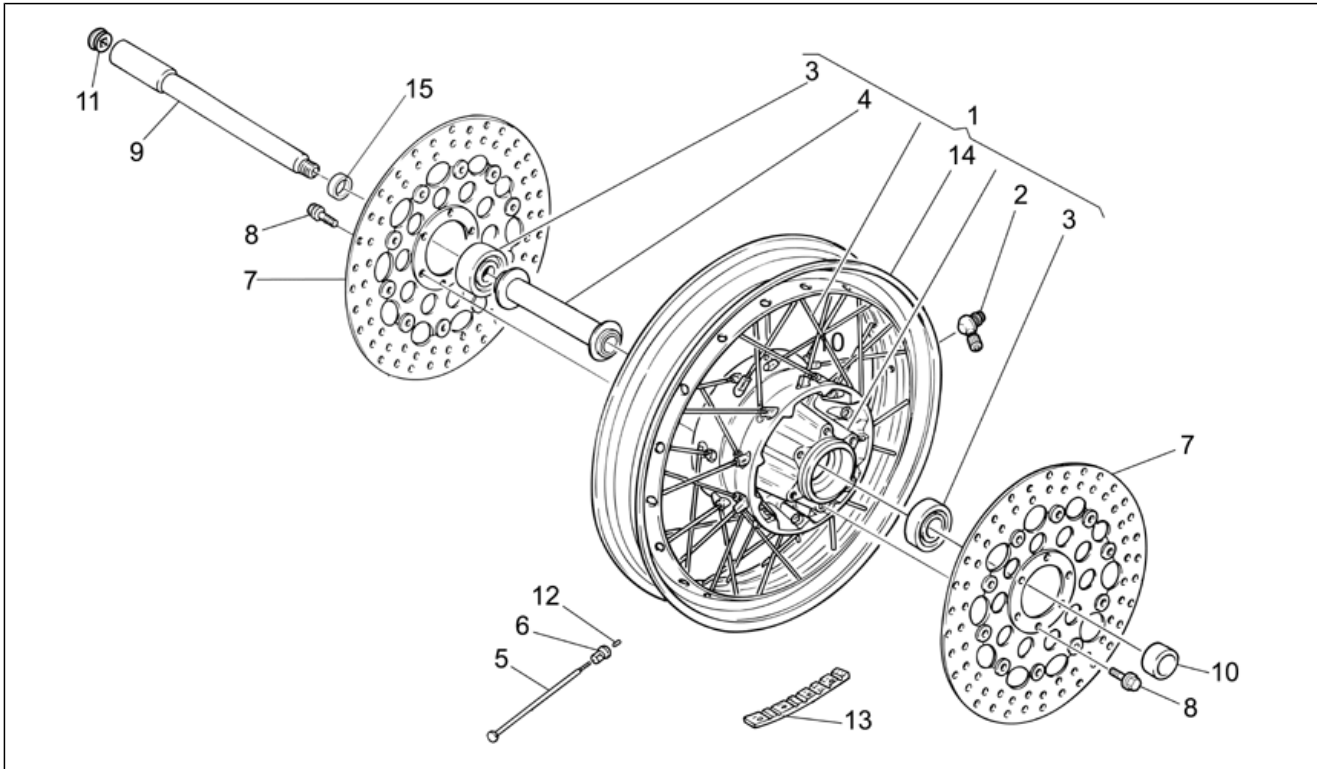
Pos.	Code	Description	Qty	Variants
1	GU30114060	Air box	1	
2	GU30113600	Air filter	1	
3	GU30113460	Filter cover	1	
4	GU98680230	Hex socket screw M5x30	3	
5	GU95100059	Washer 5,25x14x1,5	3	
6	GU98350312	Hex socket screw M6x12	1	
7	GU03013800	Washer 6,4x12	1	
8	GU30114660	Joint	2	
9	GU30114560	Hand cone-type	2	
10	GU98350210	Hex socket screw	1	
11	GU92660208	Nut	1	
12	GU00823956080	Rubber pipe 12,5X7,8 5/16"	1	
13	GU93306017	Hose clamp	1	
14	GU29116960	Joint	1	
15	GU29115860	Joint	1	
16	GU90714053	Gasket	2	
17	GU00823944050	pipe 5X9	1	
18	GU90714082	Gasket	1	
19	GU28157950	Hose clip 12,5x8	1	
20	GU14609650	Hose clamp 3,6x20,6	1	

<b>Group</b>	FRAME
<b>Code</b>	33.21
<b>Description</b>	Exhaust unit
<b>Service</b>	1



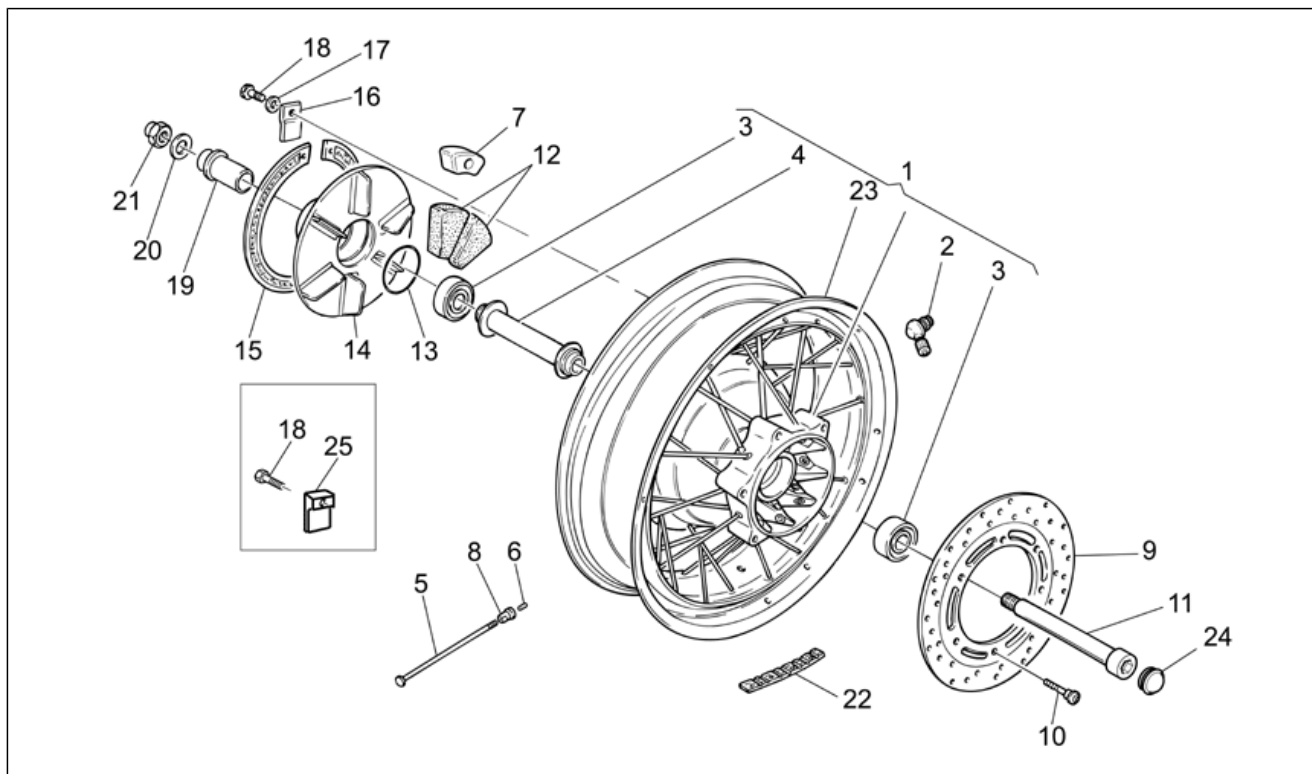
Pos.	Code	Description	Qty	Variants
1	976066	RH exhaust pipe	1	
2	976067	LH exhaust pipe	1	
3	GU90718370	Gasket	2	
4	GU30109330	Gasket	2	
5	GU01121030	Flange	2	
6	GU14615901	Washer 8,4X13X0,8	4	
7	GU92787008	Cap nut M8x1,25	6	
8	GU03123955	Expansion chamber	1	
9	GU03123470	Hose clamp	2	
10	GU03123065	RH silencer	1	
11	GU03128601	RH/LH plate	2	
12	GU95008208	Washer 8,4X15X1,5	4	
13	GU92640508	Nut M8	4	
14	GU95005311	Washer	4	
15	GU03122965	LH silencer	1	
16	GU03121230	Half-cone	4	
17	GU03123471	Hose clamp	2	
18	GU98082435	Hex screw M8x35	2	
19	GU03270300	Washer 8,4x15	2	
20	GU98110007	Cover	2	
21	GU32727010	Lamda sensor	1	
22	883704	Exhaust pipe heat prot.	2	Technical Specifications:Not chrome version[NoCr]
22	GU03121955	Exhaust pipe heat prot.	2	Technical Specifications:Chrome version[Cr]
23	GU98210610	screw	4	
24	AP8120870	Insulating washer	4	
25	977582	Spacer	2	
26	GU14103400	Rubber spacer	2	
27	AP8121804	Spacer *	2	

<b>Group</b>	FRAME
<b>Code</b>	33.22
<b>Description</b>	Front wheel
<b>Service</b>	1



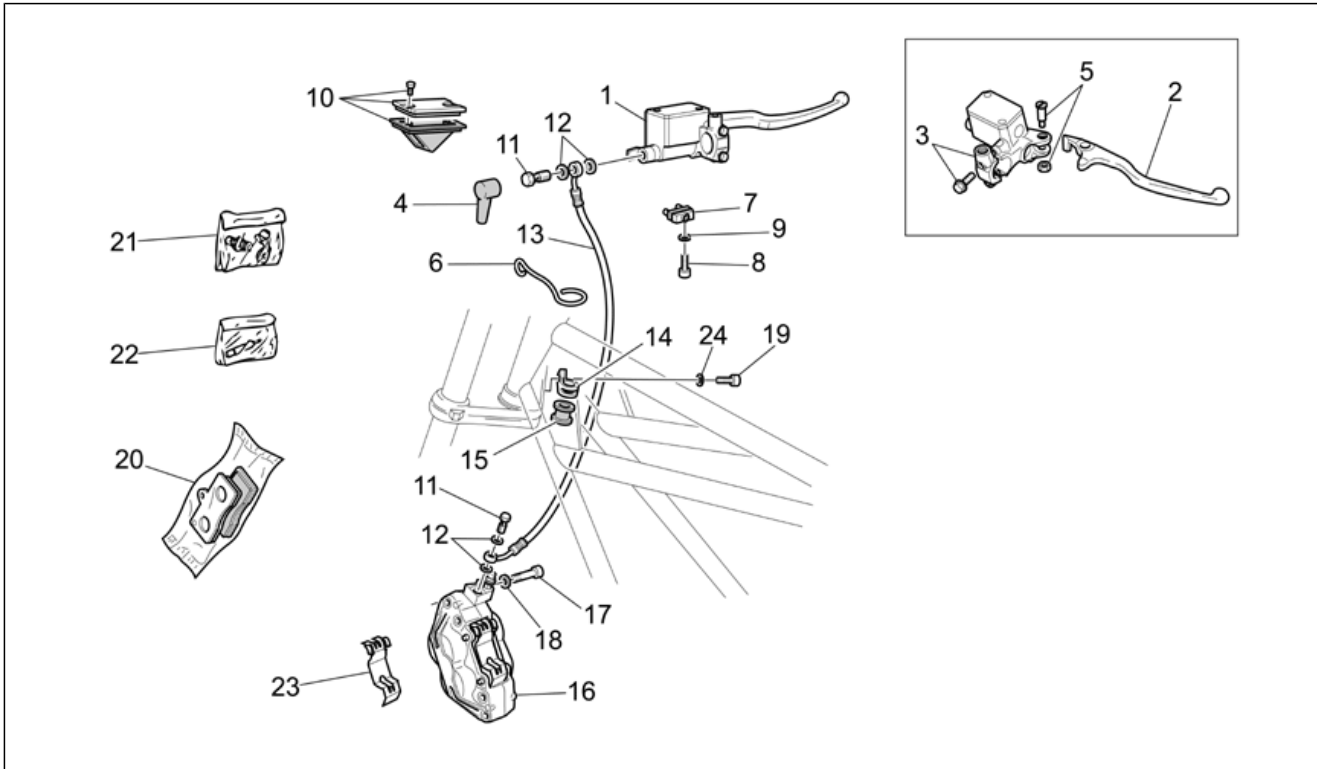
Pos.	Code	Description	Qty	Variants
1	GU03610370	Front wheel 2,50x18"	1	
2	GU03617710	Tubeless tyre valve	1	
3	GU92204220	Ball bearing 20X47X14	1	
4	GU29615260	Spacer	1	
5	GU03611610	Spoke	40	
6	GU03611711	Nipples	40	
7	GU31613383	Front brake disc	2	
8	GU03611445	Screw w/ flange M8x20	12	
9	GU03614101	Front wheel spindle	1	
10	GU03616340	LH spacer	1	
11	GU93180111	Cover 15 mm	1	
12	GU98460404	Dowel	40	
13	GU14616150	Counterweight	1	
14	GU03610810	Front wheel 2,50x18"	1	
15	GU03615640	Spacer	1	

<b>Group</b>	FRAME
<b>Code</b>	33.23
<b>Description</b>	Rear wheel
<b>Service</b>	1



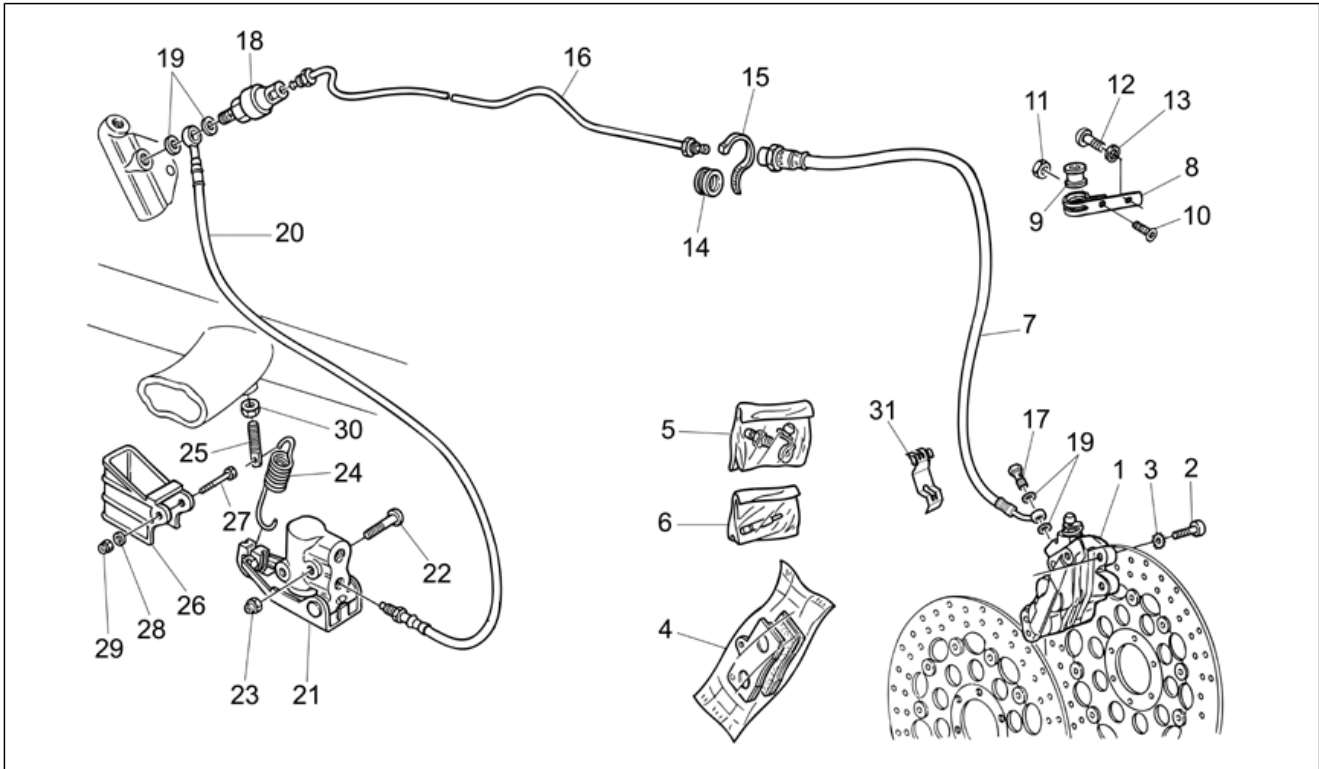
Pos.	Code	Description	Qty	Variants
1	GU03630670	Rear wheel 4,00x17"	1	
2	GU03617710	Tubeless tyre valve	1	
3	GU92204220	Ball bearing 20X47X14	2	
4	GU03634010	Spacer	1	
5	GU03631411	Spoke	40	
6	GU98460404	Dowel	40	
7	GU03636110	Rubber cush drive hub stop	6	
8	GU03611711	Nipples	40	
9	GU03635701	Rear brake disc gold	1	
10	GU30611460	screw	6	
11	GU03633370	Rear wheel spindle	1	
12	GU03336810	Rubber coupling	12	
13	GU90706490	O-ring	1	
14	GU30335260	Flexible coupling disc	1	
15	GU14335303	Snap ring	1	
16	GU17335950	Plate	1	
17	GU03013800	Washer 6,4x12	1	
18	GU98084312	Hex screw M6x12	4	
19	GU03634110	Spacer	1	
20	GU95008219	Washer 19x34x3	1	
21	GU92630719	Nut M18	1	
22	GU14616150	Counterweight	1	
23	GU03630710	Rear wheel 4,00x17"	1	
24	GU93180111	Cover 15 mm	1	
25	GU03632770	Plate	3	

<b>Group</b>	FRAME
<b>Code</b>	33.24
<b>Description</b>	RH Front brake system
<b>Service</b>	1



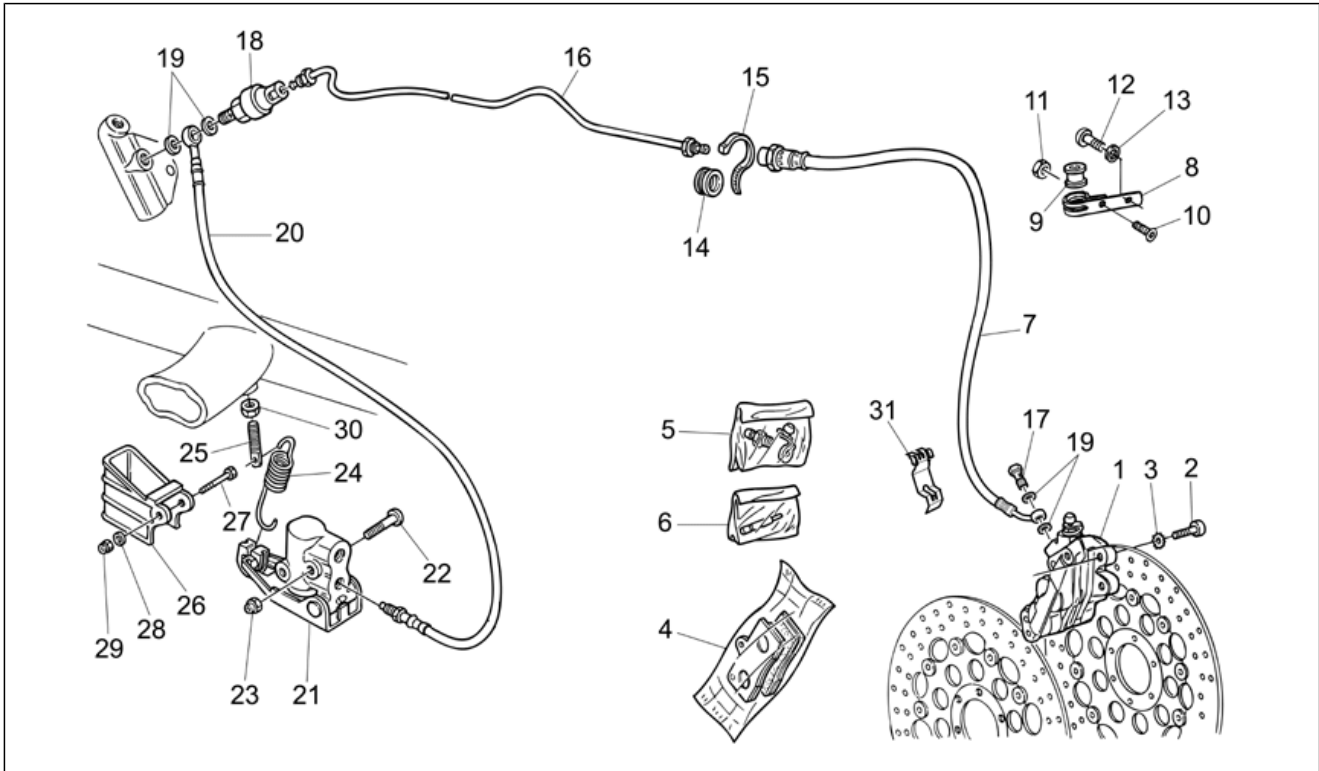
Pos.	Code	Description	Qty	Variants
1	GU03660145	Front master cilinder	1	
2	GU03605645	Brake lever	1	
3	GU03664045	U-bolt	1	
4	GU39663801	Cap	1	
5	GU03604845	Lever pin	1	
6	GU03659700	Cable-guide	1	
7	GU03749845	Stop switch	1	
8	GU98370412	Hex socket screw M4x12	1	
9	GU95021204	Washer	1	
10	GU03661145	Pump cover	1	
11	GU95990028	Oil pipe screw *	2	
12	GU25656100	Gasket	2	
13	GU03657101	Flexible pipe	1	
14	GU03658430	Hose clamp	1	
15	GU03658201	Ring	1	
16	GU01652330	RH Front brake caliper, gold	1	
17	GU98683530	screw M10x30	2	
18	GU19149800	Washer 10,5x16x1	2	
19	GU98370619	Hex socket screw	1	
20	GU01654630	Pads pair	1	
21	GU01659230	Bleeder+cap	1	
22	GU01659130	Pins+Caliper springs	1	
23	GU01659131	Spring	1	
24	GU95005306	Washer 6,4x13x1,5	1	

<b>Group</b>	FRAME
<b>Code</b>	33.25
<b>Description</b>	LH Front brake system
<b>Service</b>	1



Pos.	Code	Description	Qty	Variants
1	GU01652230	LH Front brake caliper, gold	1	
2	GU98683530	screw M10x30	2	
3	GU19149800	Washer 10,5x16x1	2	
4	GU01654630	Pads pair	2	
5	GU01659230	Bleeder+cap	2	
6	GU01659130	Pins+Caliper springs	2	
7	GU03658801	Brake hose	1	
8	GU03658330	Hose clamp	1	
9	GU03658201	Ring	1	
10	GU98257410	screw	1	
11	GU92630104	Nut M4x0,7	1	
12	GU98350315	Hex socket screw M6x14	1	
13	GU03013800	Washer 6,4x12	1	
14	GU91551120	Ring	1	
15	GU14609650	Hose clamp 3,6x20,6	1	
16	GU30658760	Pipe	1	
17	GU95990028	Oil pipe screw *	2	
18	GU03668500	Valve 4,5 bar	1	
19	GU25656100	Gasket	4	
20	GU03656200	Brake hose	1	
21	GU03668200	Braking correction device	1	
22	GU98350440	screw	2	
23	GU92630108	Nut	2	
24	GU03668801	Spring	1	
25	GU03667300	Adjuster screw	1	
26	GU03668900	Spring protection	1	
27	GU98082250	screw	1	
28	GU95008205	Washer 5,3x10x0,8	2	

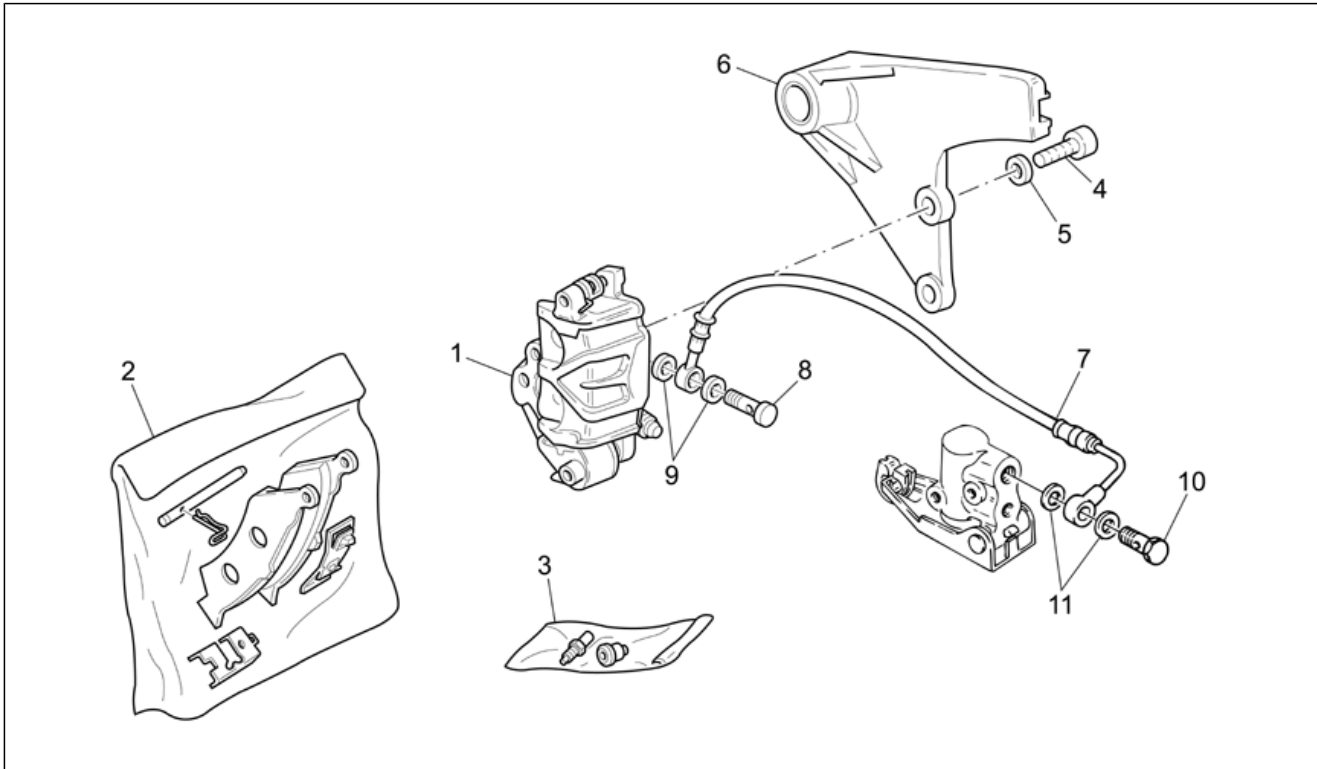
<b>Group</b>	FRAME
<b>Code</b>	33.25
<b>Description</b>	LH Front brake system
<b>Service</b>	1



Pos.	Code	Description	Qty	Variants
29	GU92630205	Nut	1	
30	GU92606408	Nut	1	
31	GU01659131	Spring	1	

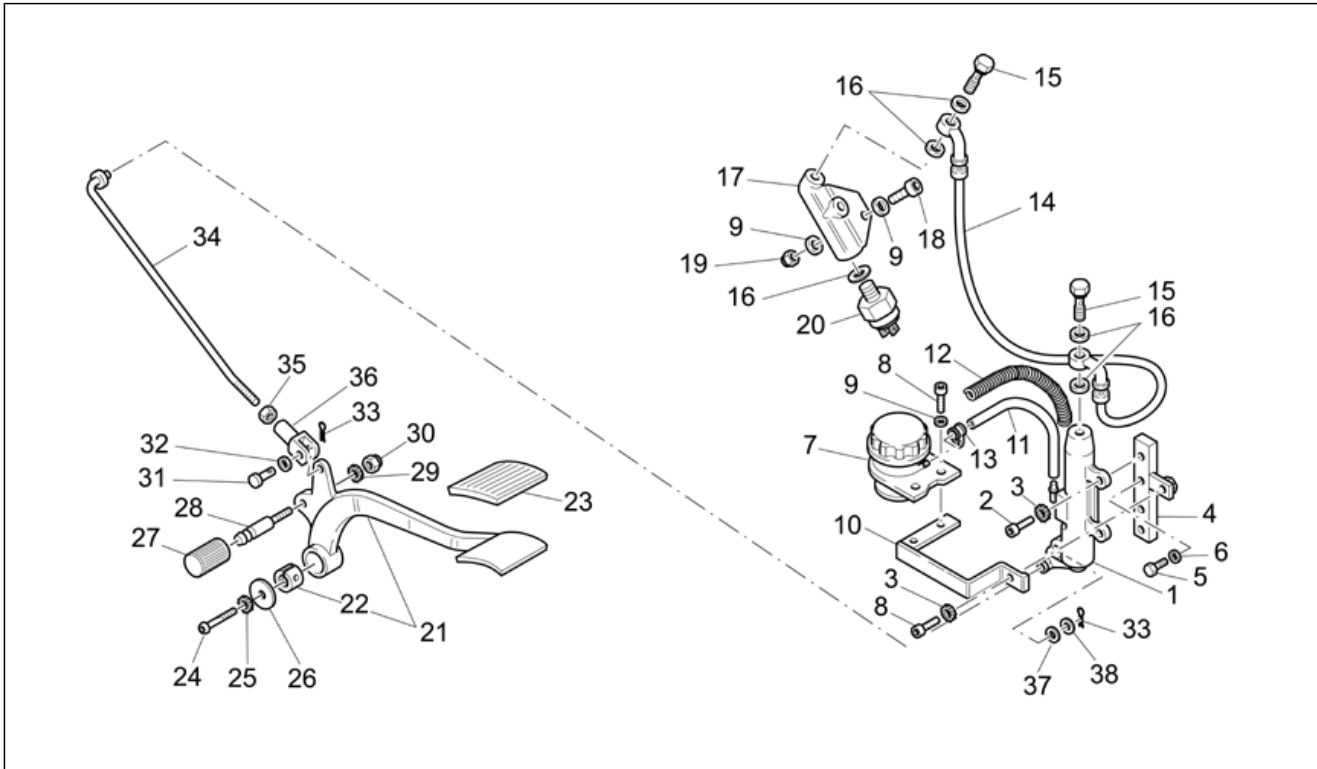


<b>Group</b>	FRAME
<b>Code</b>	33.26
<b>Description</b>	Rear brake caliper
<b>Service</b>	1



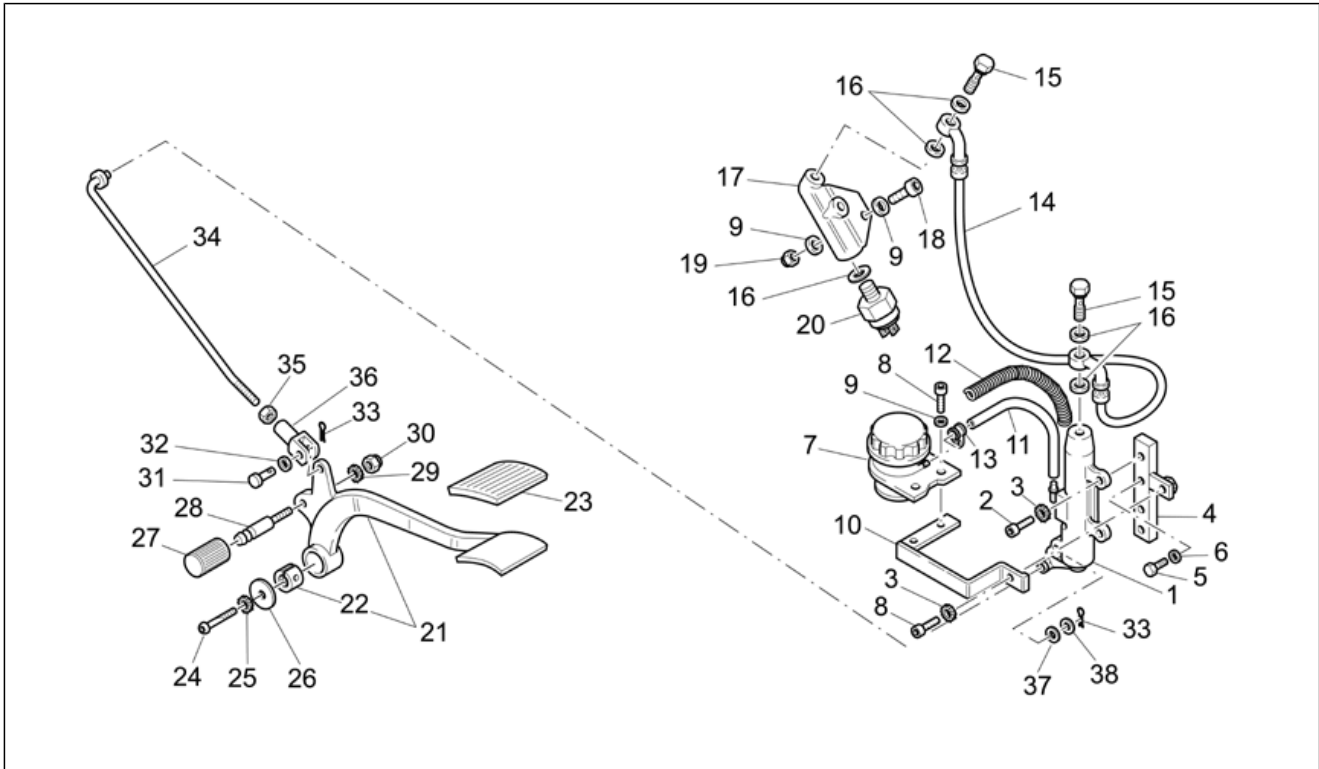
Pos.	Code	Description	Qty	Variants
1	GU03653001	Rear brake caliper, gold	1	
2	GU03654600	Pads kit	1	
3	GU31659260	Bleeder+cap BREMBO D.10	2	
4	GU98682530	Hex socket screw M10x30	2	
5	GU19149800	Washer 10,5x16x1	2	
6	GU03635811	Brake hanger plate	1	
7	GU03657500	Brake hose	1	
8	GU95990028	Oil pipe screw *	1	
9	GU25656100	Gasket	2	
10	GU95990040	Bored screw	1	
11	GU12006400	Gasket 12,25	2	

<b>Group</b>	FRAME
<b>Code</b>	33.27
<b>Description</b>	Rear master cylinder
<b>Service</b>	1



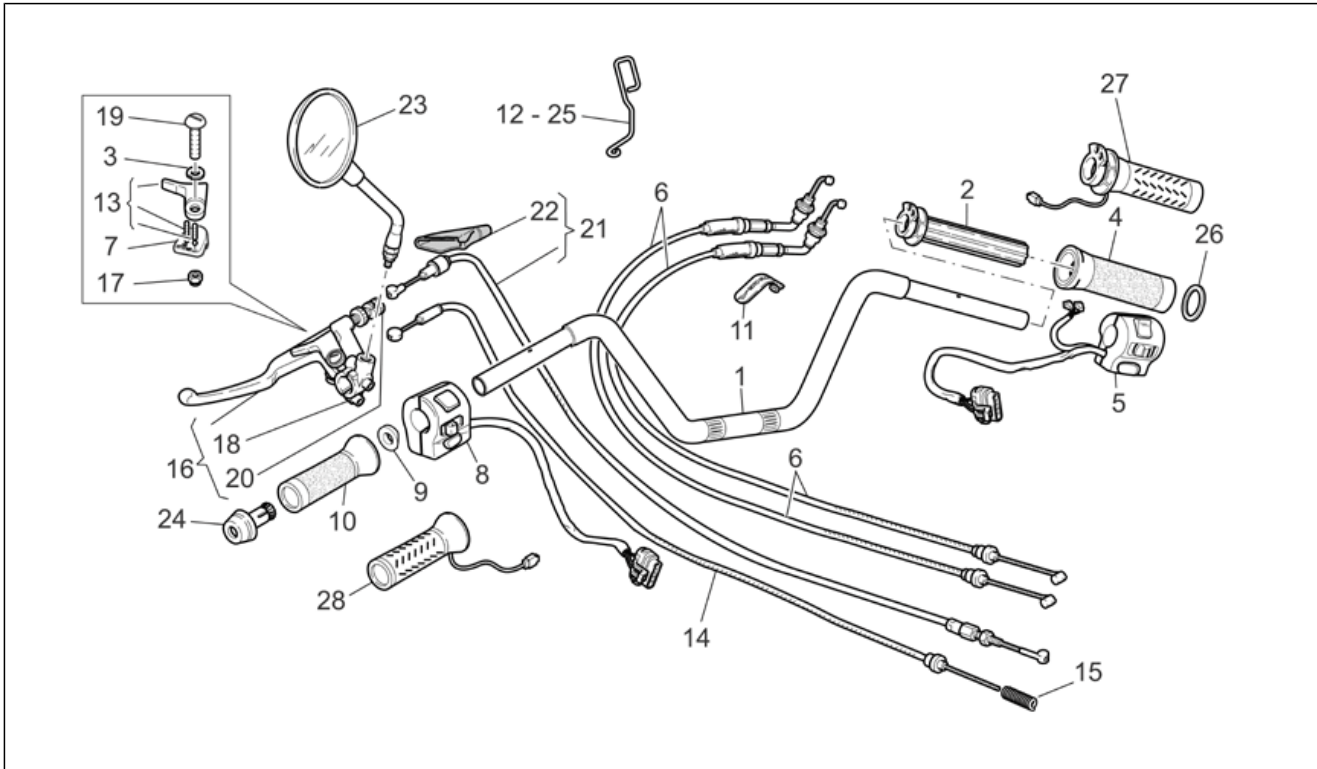
Pos.	Code	Description	Qty	Variants
1	GU30666960	Rear master cylinder	1	
2	GU98682320	Hex socket screw M6x20	2	
3	GU14217901	Washer 6,4x10x0,7	3	
4	GU30666760	Support plate	1	
5	GU98084412	screw	2	
6	GU14615901	Washer 8,4X13X0,8	2	
7	GU65663500	Brake oil tank	1	
8	GU98682310	Hex socket screw M6x10	3	
9	GU95008306	Washer 6,4x12x1,2	4	
10	GU30666060	Oil tank plate	1	
11	GU00823950050	Oil pipe	1	
12	GU30665860	Spring	1	
13	GU61108500	Hose clamp D9	2	
14	GU03658500	Hose from pump to delayvalve	1	
15	GU95990028	Oil pipe screw *	2	
16	GU25656100	Gasket	2	
17	GU17656850	Distributor	1	
18	GU98682318	Hex socket screw	1	
19	GU92606206	Nut	1	
20	GU63657000	Switch	1	
21	GU03675900	Rear brake lever	1	
22	GU30678160	Bushing	1	
23	GU43262180	Rubber pedal	1	
24	GU98350416	Hex socket screw M8x16	1	
25	GU03270300	Washer 8,4x15	1	
26	GU03259100	Washer	1	
27	GU13432640	Rubber pedal	1	
28	GU18678350	Pin	1	

<b>Group</b>	FRAME
<b>Code</b>	33.27
<b>Description</b>	Rear master cylinder
<b>Service</b>	1



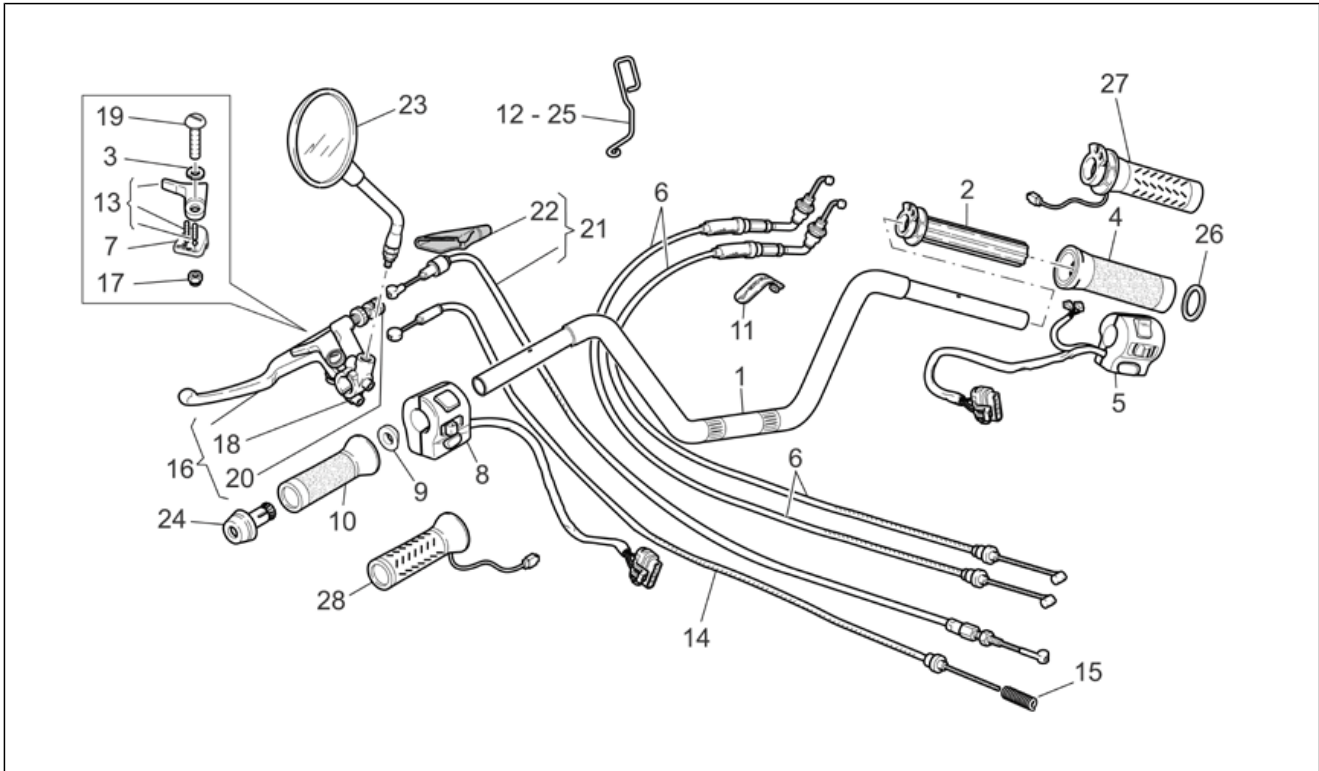
Pos.	Code	Description	Qty	Variants
29	GU03013800	Washer 6,4x12	1	
30	GU92602206	Nut	1	
31	GU95780267	Pin	1	
32	GU95129111	Washer	1	
33	GU95500221	Split pin	2	
34	GU03675170	Tie rod	1	
35	GU92609007	Nut	1	
36	GU95740175	Fork	1	
37	GU95129131	Washer 8,4x15x1,7	1	
38	GU95100173	Washer 7,5x13x1	1	

<b>Group</b>	FRAME
<b>Code</b>	33.28
<b>Description</b>	Handlebar - Controls
<b>Service</b>	1



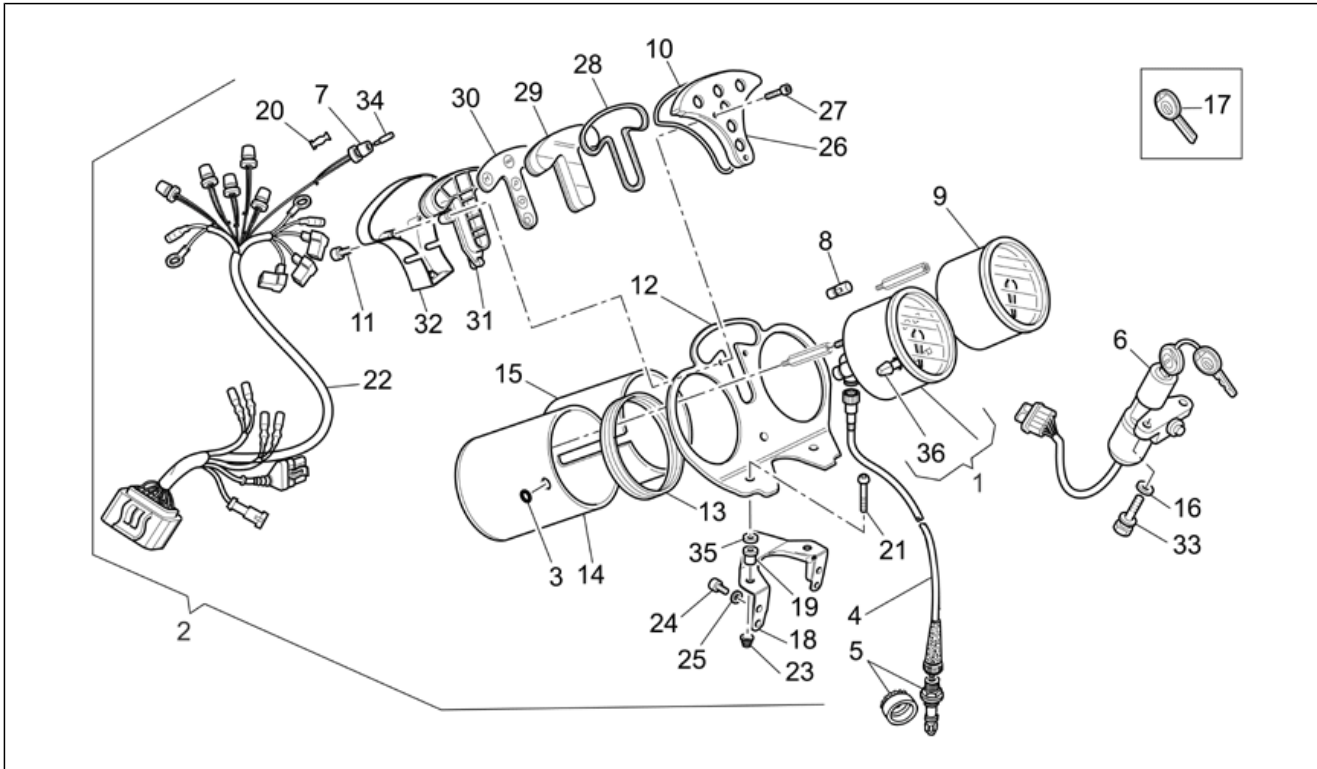
Pos.	Code	Description	Qty	Variants
1	GU03600311	Handlebar	1	
2	GU03603860	Throttle pipe w/out hand grip	1	
3	GU27530594	Washer	1	
4	GU03603560	RH hand grip	1	Technical Specifications:Classic Version[CLAS]
5	GU03738846	RH lights selector	1	Technical Specifications:Classic Version[CLAS]
5	GU03738870	RH lights selector	1	Technical Specifications:Touring Version[TOUR]
6	GU03117545	Gas lever transmission	2	
7	GU27530595	Plate	1	
8	GU03738045	LH lights selector	1	
9	GU03604245	Bush	1	
10	GU03603060	LH hand grip	1	Technical Specifications:Classic Version[CLAS]
11	GU01609630	Hose clamp L46 mm	2	
12	GU03669000	RH eyelet for trans.guide	1	
13	GU27135215	Starter lever	1	
14	GU03132845	Choke cable	1	
15	GU94321070	Spring	1	
16	GU03605545	Clutch lever	1	
17	GU92602206	Nut	1	
18	GU30601060	Clump	1	
19	GU30530528	Lever pin	1	
20	GU30602500	Register	1	
21	GU03093070	Clutch cable	1	
22	GU27663815	Guard	1	
23	GU03769401	Rearview mirror	2	
24	GU03602760	Balancing	2	
25	GU03669001	LH eyelet for trans.guide	1	
26	GU29606970	Nylon washer	1	
27	GU03603370	R.H. heated grip	1	Technical Specifications:Touring Version[TOUR]

<b>Group</b>	FRAME
<b>Code</b>	33.28
<b>Description</b>	Handlebar - Controls
<b>Service</b>	1



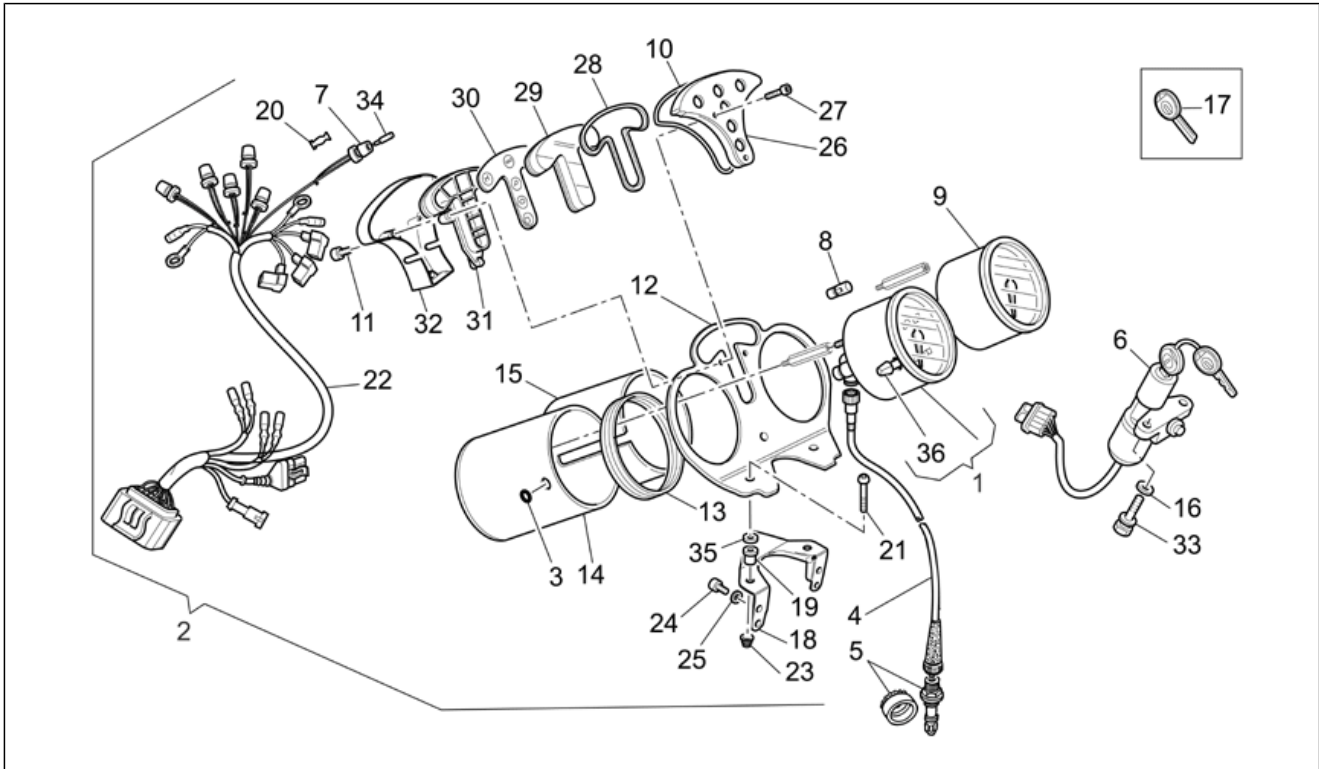
Pos.	Code	Description	Qty	Variants
28	GU03603070	L.H. heated grip	1	Technical Specifications: Touring Version [TOUR]

<b>Group</b>	FRAME
<b>Code</b>	33.29
<b>Description</b>	Dashboard
<b>Service</b>	1



Pos.	Code	Description	Qty	Variants
1	GU03761570	Speedometer	1	Country:Australia[AUS], Other country[EU], Japan[J]
1	GU03762470	Speedometer	1	Country:Great Britain[UK], United States of America[USA]
2	GU03760074	Dashboard complete	1	Country:Australia[AUS], Other country[EU], Japan[J]
2	GU03760075	Dashboard complete	1	Country:Great Britain[UK], United States of America[USA]
3	GU91551168	Rubber spacer	1	
4	GU03760465	Odometer cable	1	
5	GU03762550	Odometer gear	1	
6	GU01782500	Main switch - steering lock	1	
7	GU02768600	Lampholder	6	
8	GU93450120	Lamp 12v-3w	2	
9	GU03767270	Electronic revolution counter	1	
10	GU03762370	Gasket	1	
11	GU98872110	screw	3	
12	GU02764000	Dashboard lower support	1	
13	GU02762301	Support rubber part	2	
14	GU03762070	Odometer support	1	
15	GU03761970	Tachometer support	1	
16	GU95008208	Washer 8,4X15X1,5	2	
17	GU30735500	Non indented key blank	1	
18	GU01766031	Socket support	1	
19	GU93222023	Silent-block	3	
20	GU93400012	Lamp holder end section	6	
21	GU98370609	Hex socket screw M6x10	3	
22	GU03747270	Dashboard cable	1	
23	GU92660007	Flanged nut M6x9	3	
24	GU98692318	Hex socket screw	4	
25	GU95008306	Washer 6,4x12x1,2	4	
26	GU31766283	Indicator light box	1	

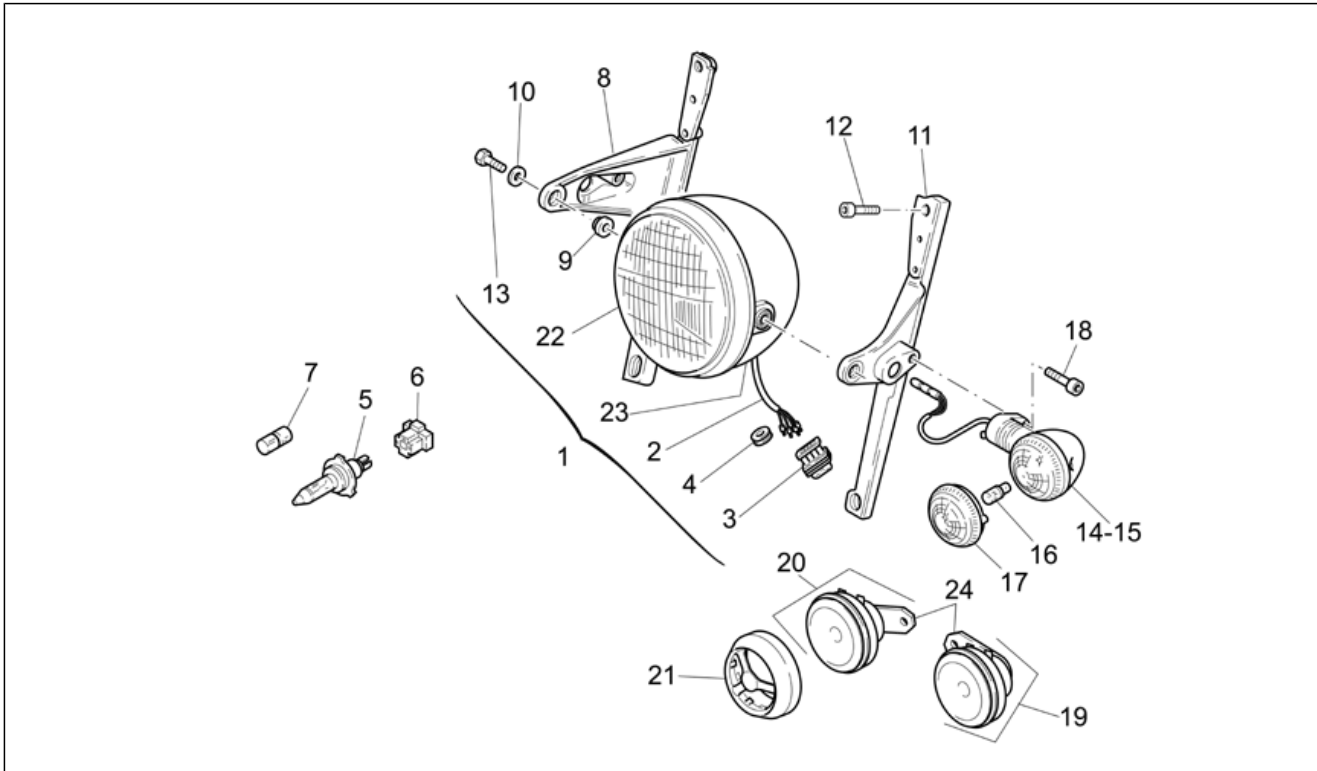
<b>Group</b>	FRAME
<b>Code</b>	33.29
<b>Description</b>	Dashboard
<b>Service</b>	1



Pos.	Code	Description	Qty	Variants
27	GU98872120	screw	3	
28	GU02768200	Gasket	1	
29	GU02768400	Guard	1	
30	GU03781150	Gasket	1	
31	GU02766300	Indicator light box	1	
32	GU03766570	Lower cover	1	
33	GU97260415	Special screw M8x15	1	
34	GU93450140	Lamp	6	
35	GU95021206	Washer	3	
36	GU03762870	Reset button	1	

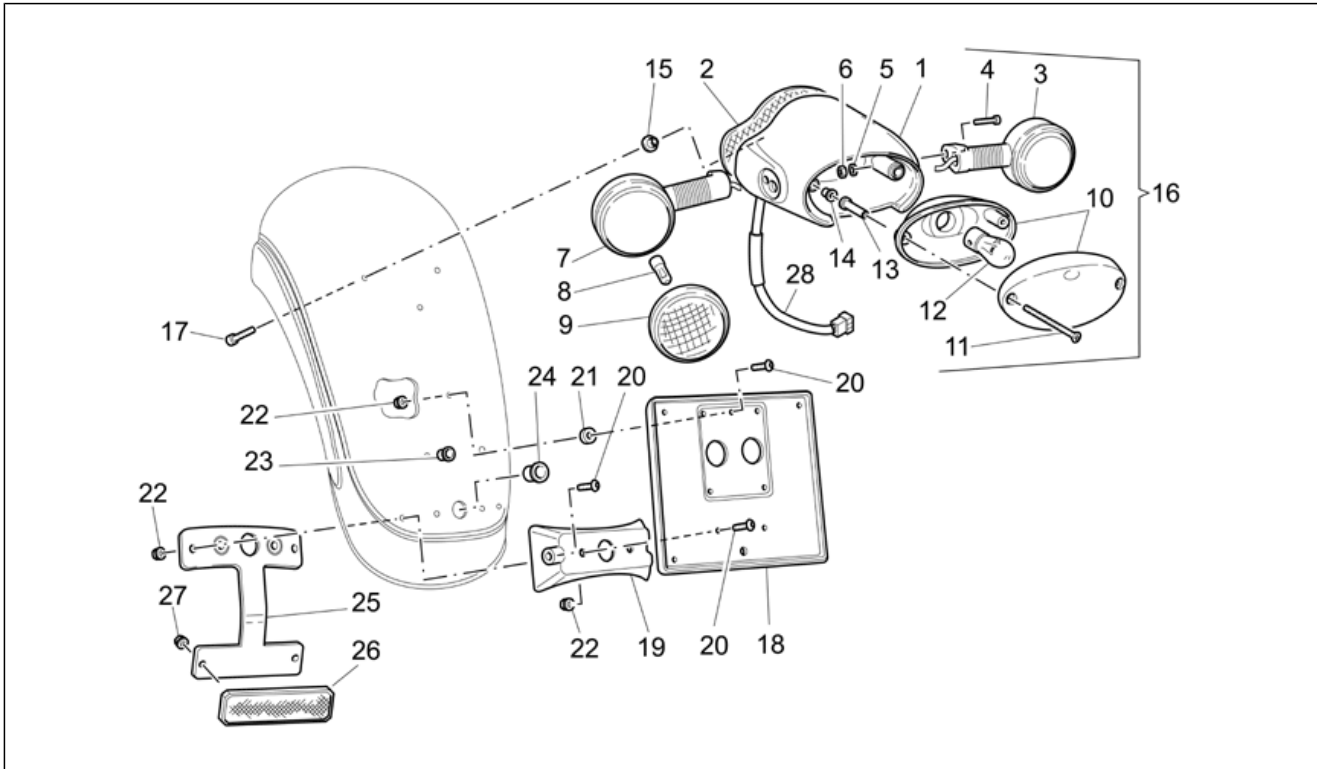


<b>Group</b>	FRAME
<b>Code</b>	33.30
<b>Description</b>	Front lights
<b>Service</b>	1



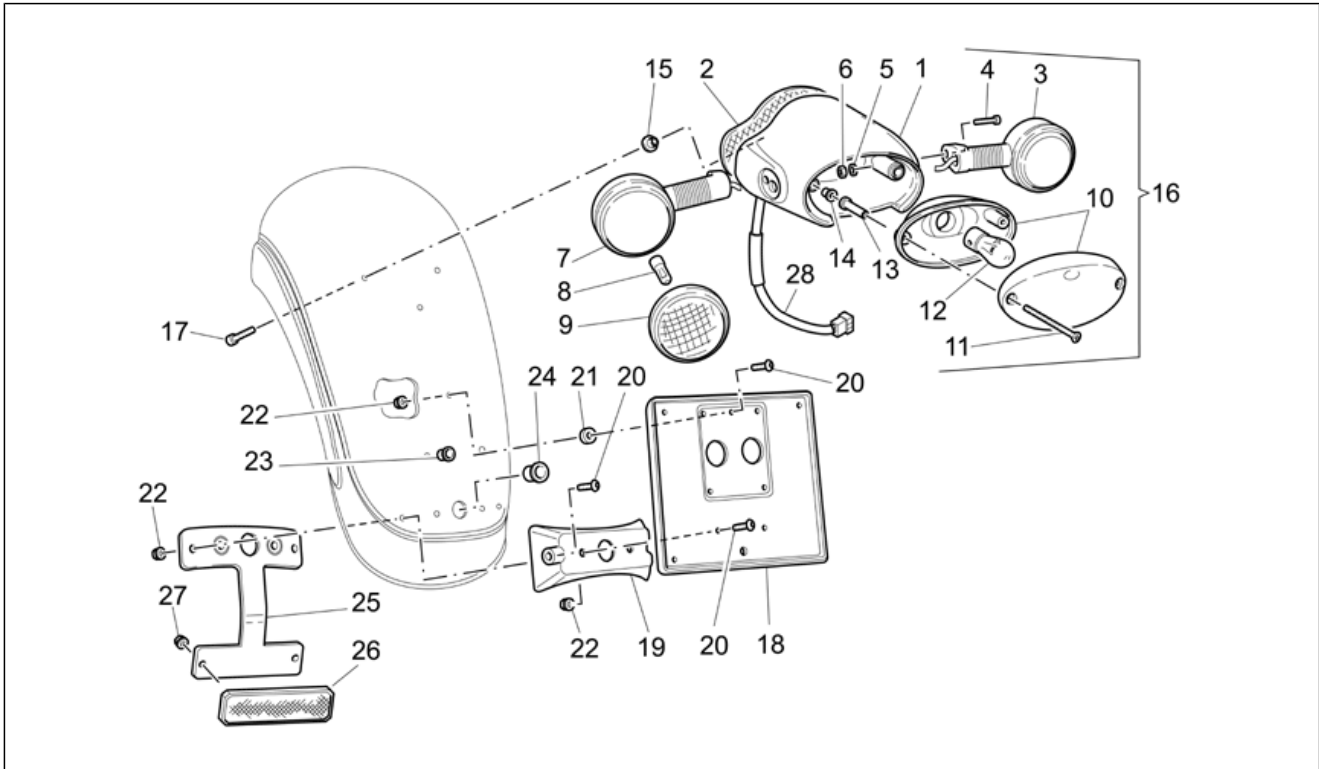
Pos.	Code	Description	Qty	Variants
1	GU03740540	Headlight	1	Country:Other country[EU], United States of America[USA]
1	GU03740545	Cpl headlightsteering headligh	1	Country:Australia[AUS], Japan[J], Great Britain[UK]
2	GU02746900	Wiring	1	
3	GU01756100	4-way connector AMP	1	
4	GU91551105	Rubber spacer	1	
5	GU93450232	Lamp 12V-55/60W	1	
6	GU01756220	Lampholder	1	
7	GU93450119	Lamp	1	
8	GU03496150	RH support	1	
9	GU14439800	Spacer	2	
10	GU95005308	Washer 8,4x14,57x1,6	2	
11	GU03496250	LH support	1	
12	GU98692318	Hex socket screw	4	
13	GU98064425	screw	1	
14	GU03751631	RH front/LH rear turn indic.	1	
15	GU03751630	LH front/RH rear turn indic.	1	
16	GU93450127	Lamp	2	
17	GU31753765	Turn indicator lens	2	
18	GU98682314	Hex socket screw M6x14	2	
19	GU01743790	Electric hom H	1	
20	GU01743791	Electric hom L	1	
21	GU03744760	Horn mask	2	
22	GU03740430	Light assembly	1	Country:Other country[EU], United States of America[USA]
22	GU03740431	Light assembly	1	Country:Australia[AUS], Japan[J], Great Britain[UK]
23	GU03740437	Cap rear black	1	
24	GU01744200	Bracket	2	

<b>Group</b>	FRAME
<b>Code</b>	33.31
<b>Description</b>	Rear lights
<b>Service</b>	1



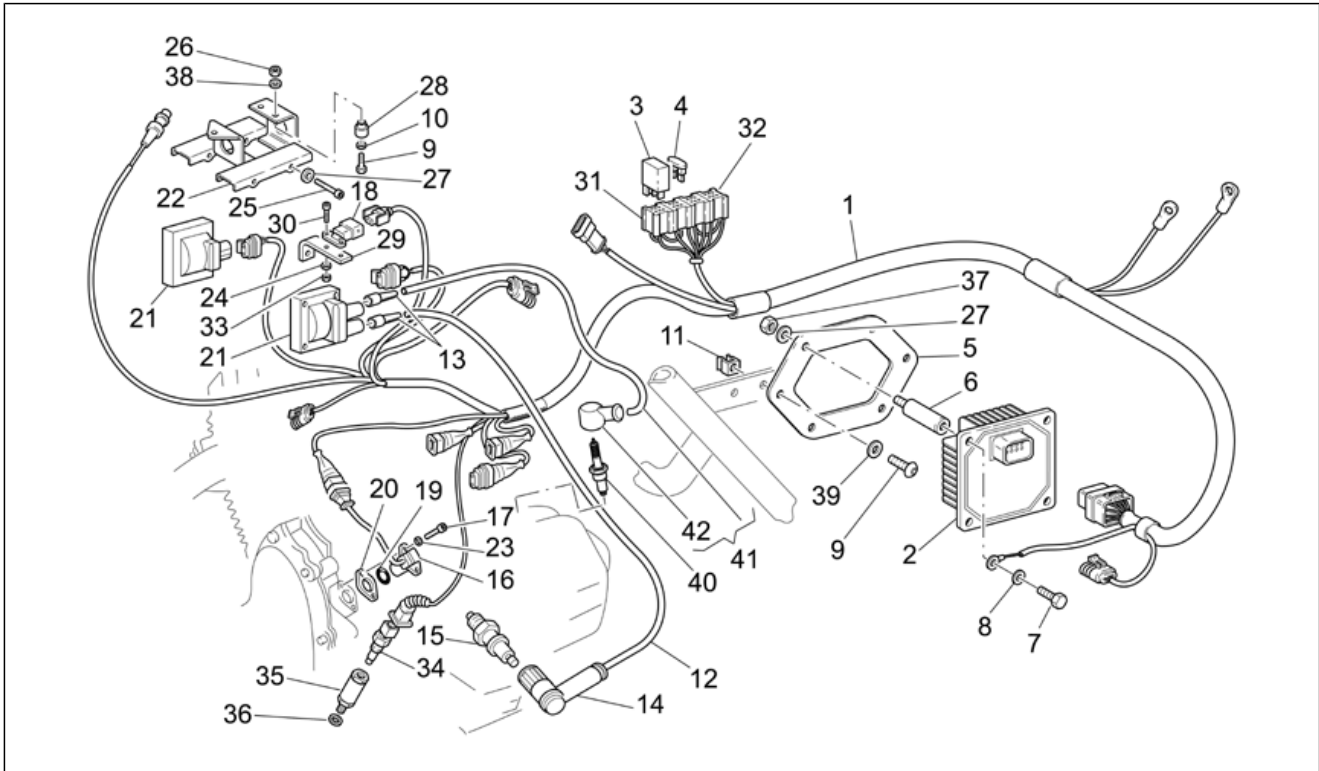
Pos.	Code	Description	Qty	Variants
1	977276	Headlight holder red vintage	1	Vehicle colour:Red 2006[red]
1	977277	Headlight holder white	1	Vehicle colour:White/Grey 2006[w.grey]
1	GU03475813	Headlight holder red vintage	1	Vehicle colour:Vintage Red/Black 2007[red/bl.]
1	GU03475830	Headlight holder blank	1	
1	GU03475860	Headlight holder black	1	Vehicle colour:Black 2006-2007[black]
2	GU03475931	Support rubber part	1	
3	GU03751630	LH front/RH rear turn indic.	1	
4	GU98682320	Hex socket screw M6x20	2	
5	GU95001206	Washer	2	
6	GU92660600	Nut	2	
7	GU03751631	RH front/LH rear turn indic.	1	
8	GU93450127	Lamp	1	
9	GU31753765	Turn indicator lens	2	
10	GU03740930	Taillight	1	
11	GU98680150	Hex socket screw M4x50	2	
12	GU93450224	Lamp	2	
13	GU03741230	Bush	2	
14	GU93231604	Antivibration bush M4x7,9x12,7	2	
15	GU03742030	Bushing	3	
16	977233	Rear headlight assembly red	1	Vehicle colour:Red 2006[red]
16	977234	Rear headlight assembly white	1	Vehicle colour:White/Grey 2006[w.grey]
16	GU03758471	Rear headlight assembly black	1	Vehicle colour:Black 2006-2007[black]
16	GU03758472	Rear headlight assembly red	1	Vehicle colour:Vintage Red/Black 2007[red/bl.]
17	GU98230518	Hex socket screw	3	
18	GU01474630	Number plate holder	1	
19	GU03474530	Number plate holder support	1	
20	GU98370515	screw	5	
21	GU93110060	Rubber spacer	1	

<b>Group</b>	FRAME
<b>Code</b>	33.31
<b>Description</b>	Rear lights
<b>Service</b>	1



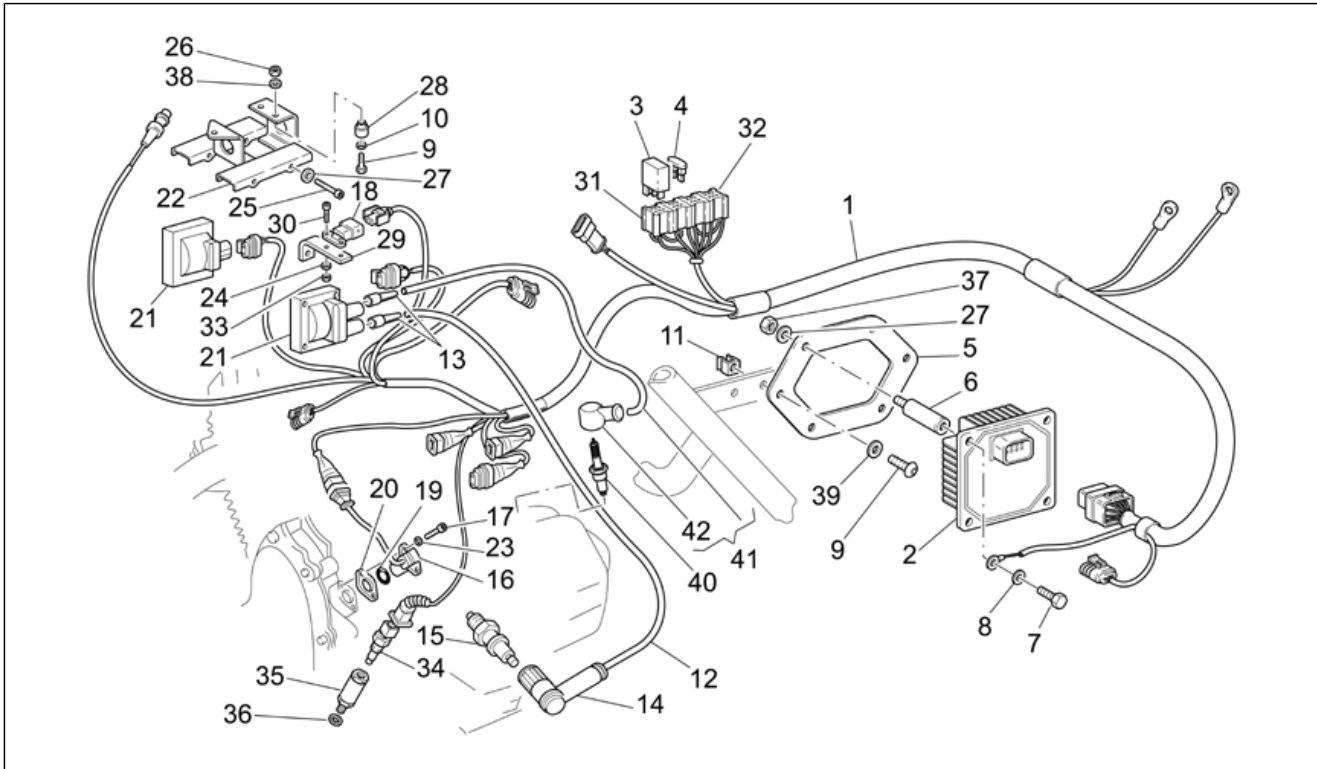
Pos.	Code	Description	Qty	Variants
22	GU92650035	Flanged nut	5	
23	GU03438830	Cover	2	
24	GU03438831	Cover	1	
25	GU03475330	Maintenance	1	
26	GU31745865	Reflector	1	
27	GU92650034	Nut	2	
28	GU03753170	Taillight wiring harn.	1	

<b>Group</b>	FRAME
<b>Code</b>	33.32
<b>Description</b>	Electrical systeme
<b>Service</b>	1



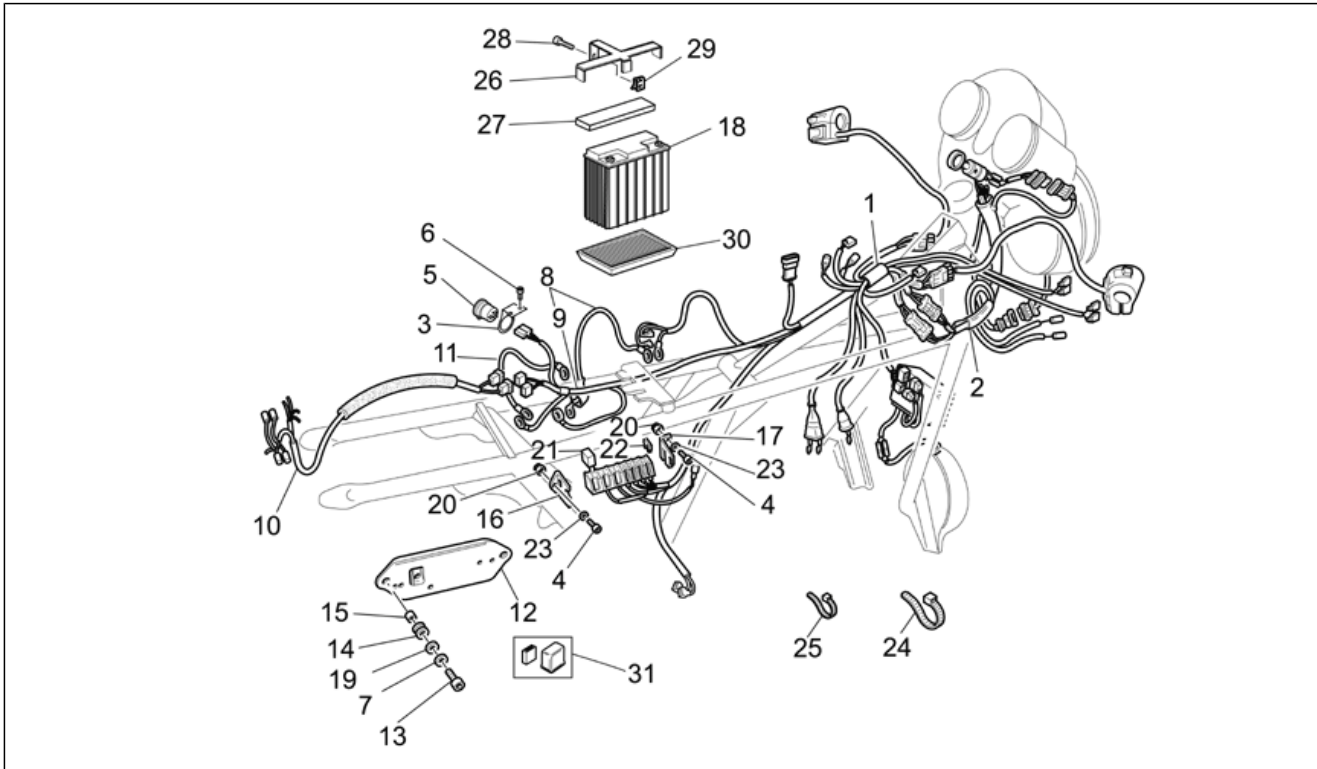
Pos.	Code	Description	Qty	Variants
1	GU03725875	Injection wiring	1	
2	977235	CDI unit assy	1	
3	GU01732530	Relay Siemens A302B1005	2	
4	GU28742558	Fuse 5A	1	
4	GU28742559	Fuse 10A	1	
5	GU03729230	Plate	1	
6	GU93221330	Block	4	
7	GU98084110	Hex screw	4	
8	GU95008304	Washer	4	
9	GU98682310	Hex socket screw M6x10	5	
10	GU95100141	Washer 6,4x12x1,2	6	
11	GU92660601	Captive nut	2	
12	GU03718350	HT wire	2	
13	GU14717600	Cap	2	
14	GU03717450	Sparkplug cap	2	
15	GU30717061	Spark plug NGK BPR6ES	2	
16	GU01721600	Phase/revolution sensor	1	
17	GU98682212	Hex socket screw M5x12	2	
18	GU30729330	Air temp. Sensor	1	
19	GU90706141	O-ring	1	
20	GU01722700	Gasket 0,3mm	2	
20	GU01722701	Gasket 0,4 mm	2	
20	GU01722702	Gasket 0,6mm	2	
20	GU01722703	Gasket	2	
20	GU01722704	Gasket 1mm	2	
20	GU01722705	Gasket 1,5mm	2	
20	GU29722760	Gasket 0,5 mm	1	
21	GU05716530	HT coil	2	

<b>Group</b>	FRAME
<b>Code</b>	33.32
<b>Description</b>	Electrical systeme
<b>Service</b>	1



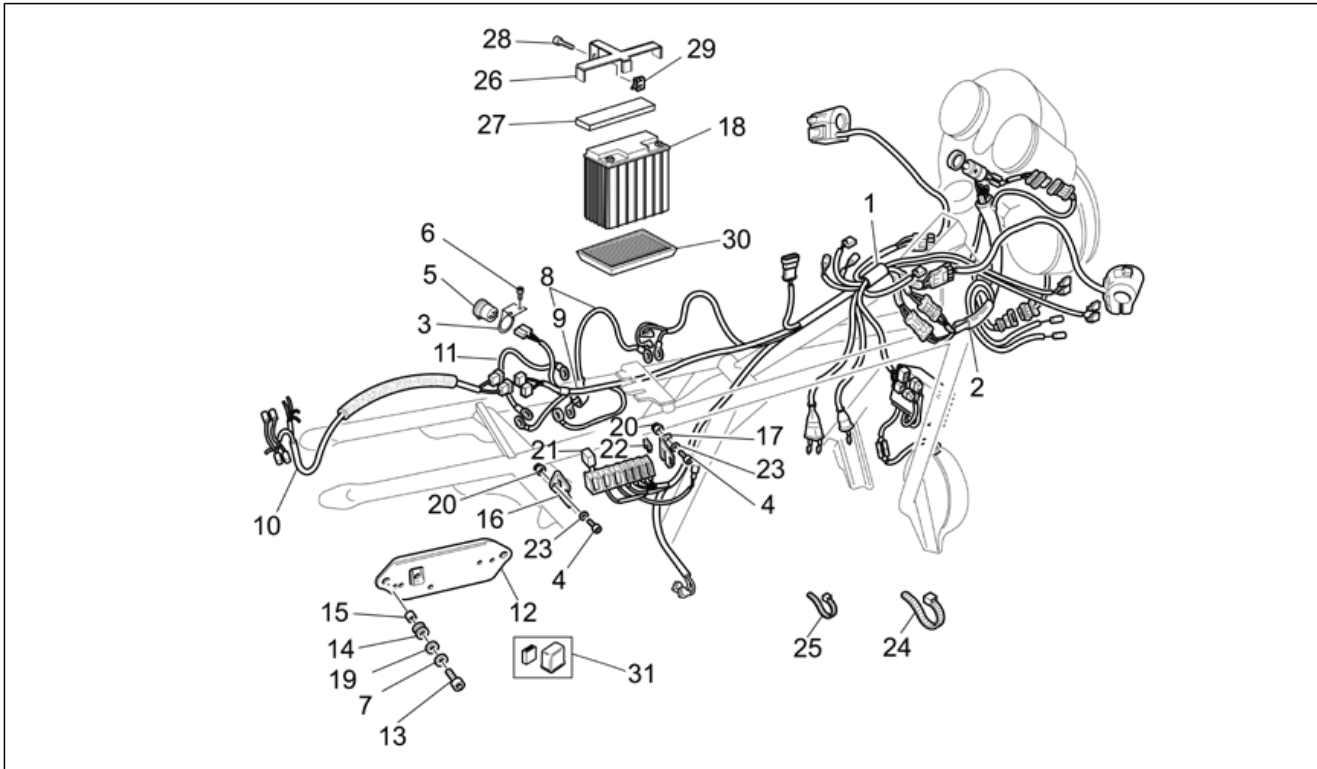
Pos.	Code	Description	Qty	Variants
22	GU03716770	Coil holder	1	
23	GU95008205	Washer 5,3x10x0,8	2	
24	GU95120033	Washer 3,2x5,8x0,8	2	
25	GU98682125	Hex socket screw	4	
26	GU92606206	Nut	3	
27	GU95021204	Washer	8	
28	GU93222023	Silent-block	3	
29	GU30728230	Sensor support	1	
30	GU98680110	Hex socket screw M3x10	2	
31	GU30732200	Fuse holder box	1	
32	GU30732400	Relais support	2	
33	GU92606003	Nut M3	2	
34	GU29729461	Oil temperature sensor	1	
35	GU03163330	Sensor support	1	
36	GU95008210	Washer 10,2X18X2	1	
37	GU92630204	Nut	4	
38	GU95008306	Washer 6,4x12x1,2	3	
39	GU03013800	Washer 6,4x12	2	
40	GU05717030	Spark plug NGK PMR8B	2	
41	977388	HT wire	2	
42	GU06717400	Sparkplug cap	2	

<b>Group</b>	FRAME
<b>Code</b>	33.33
<b>Description</b>	Electrical system
<b>Service</b>	1



Pos.	Code	Description	Qty	Variants
1	GU03747156	Main wiring harness	1	
2	GU03747270	Dashboard cable	1	
3	GU03785470	plate	1	
4	GU98682310	Hex socket screw M6x10	2	
5	AP8124768	Socket	1	
6	GU98682318	Hex socket screw	2	
7	GU03013800	Washer 6,4x12	8	
8	GU03748440	Wire	1	
9	GU03707140	Cap	1	
10	GU03753170	Taillight wiring harn.	1	
11	GU02747901	Ground-battery lead	1	
12	GU03746370	plate	1	
13	GU98370619	Hex socket screw	2	
14	GU91551080	Rubber spacer	2	
15	GU91180607	Spacer	2	
16	GU30477101	RH clamp	1	
17	GU30477200	LH plate	1	
18	GU03704571	Battery	1	Country:Australia[AUS], Other country[EU], Japan[J], Great Britain[UK]
19	GU95100118	Washer 6,2X18X1	3	
20	GU92630707	Nut	2	
21	GU01732530	Relay Siemens A302B1005	1	
21	GU30732560	Relay Siemens A302/B1008	2	
22	GU28742558	Fuse 5A	1	
22	GU28742560	Fuse 15A	1	
22	GU28742561	Fuse 20A	1	
22	GU28742562	Fuse 30A	1	
23	GU95008206	Washer 6,15x11x0,8	2	

<b>Group</b>	FRAME
<b>Code</b>	33.33
<b>Description</b>	Electrical system
<b>Service</b>	1

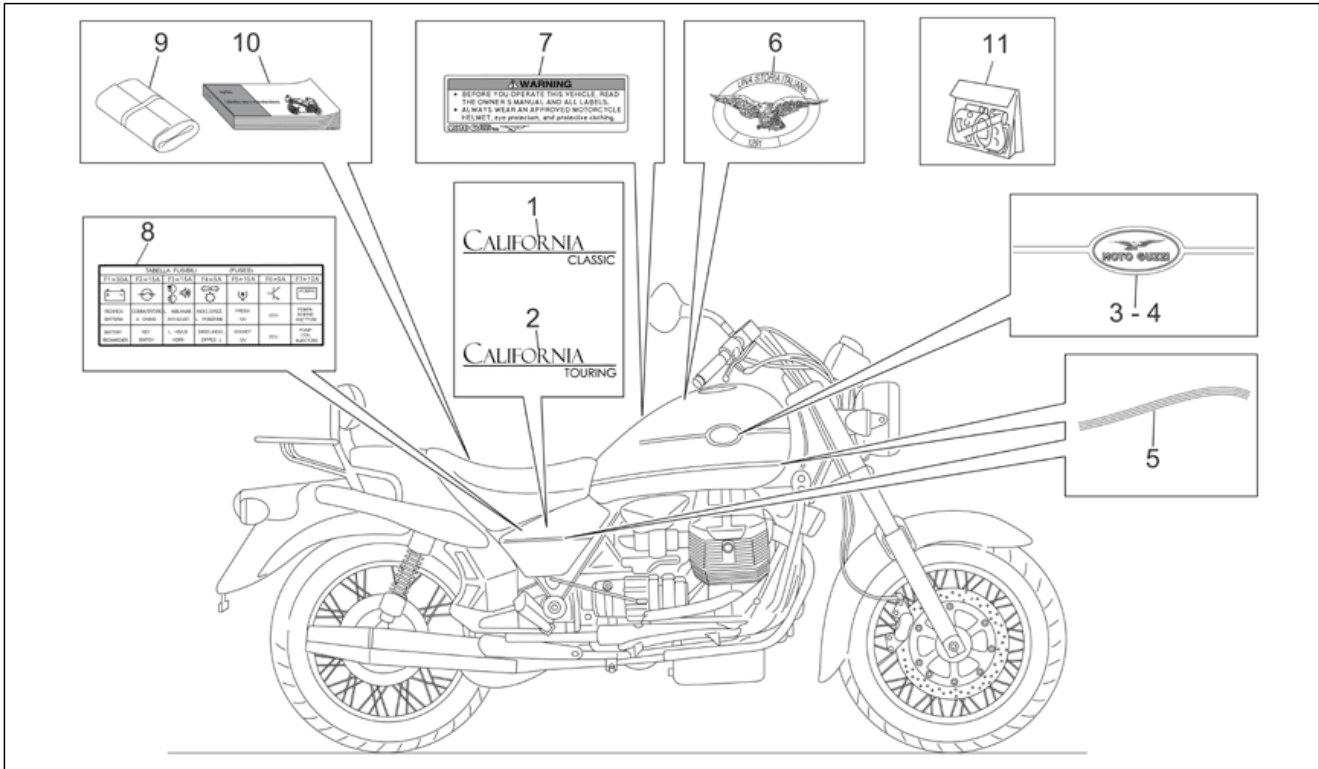


Pos.	Code	Description	Qty	Variants
24	GU93304390	Hose clamp 3,6x375	1	
25	GU14609650	Hose clamp 3,6x20,6	56	
26	977387	Battery holder	1	Country:Australia[AUS], Other country[EU], Japan[J], Great Britain[UK]
27	AP8144538	Gasket	1	
28	GU98682314	Hex socket screw M6x14	1	
29	GU28576591	Clip M6	1	
30	GU28707050	Battery holder	1	
31	AP8124235	Flasher unit	1	Country:Other country[EU], Japan[J], Great Britain[UK], United States of America[USA]



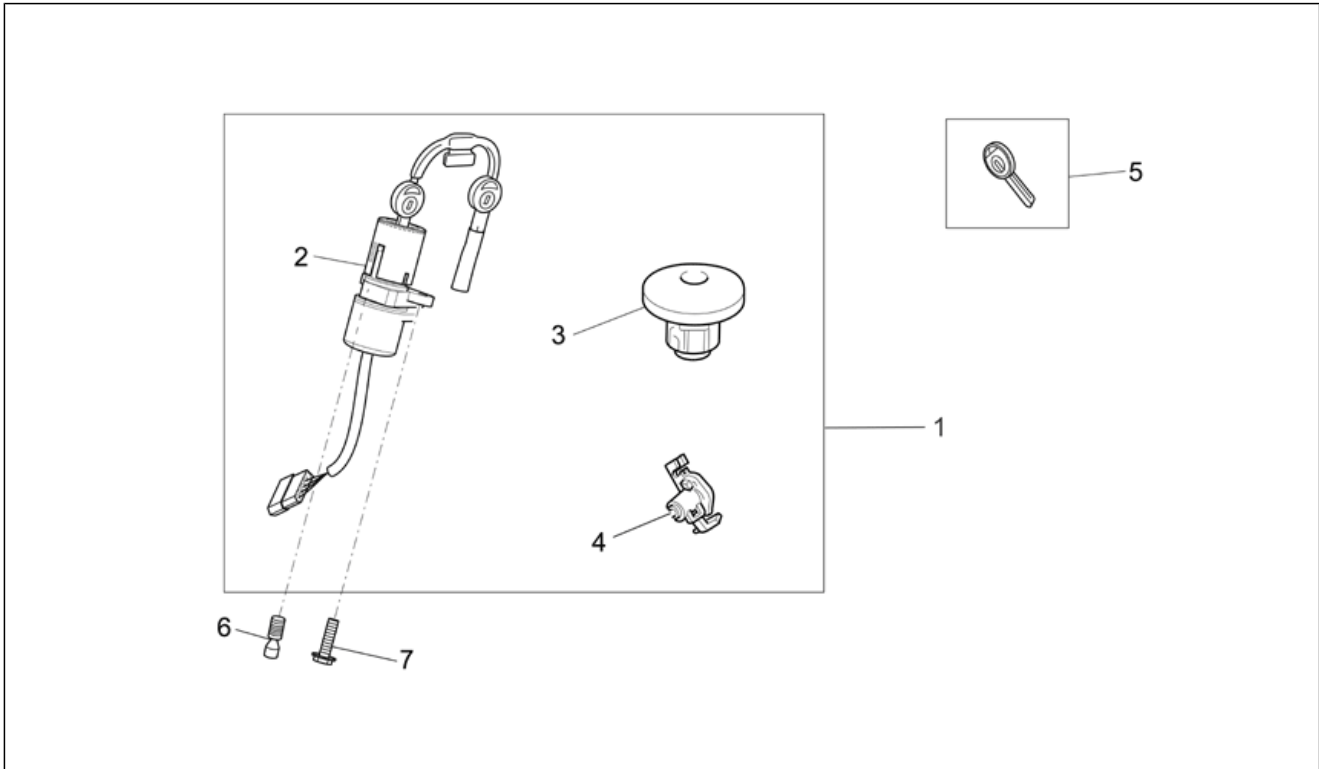


<b>Group</b>	FRAME
<b>Code</b>	33.34
<b>Description</b>	Plate set-decal-op.handbooks
<b>Service</b>	1



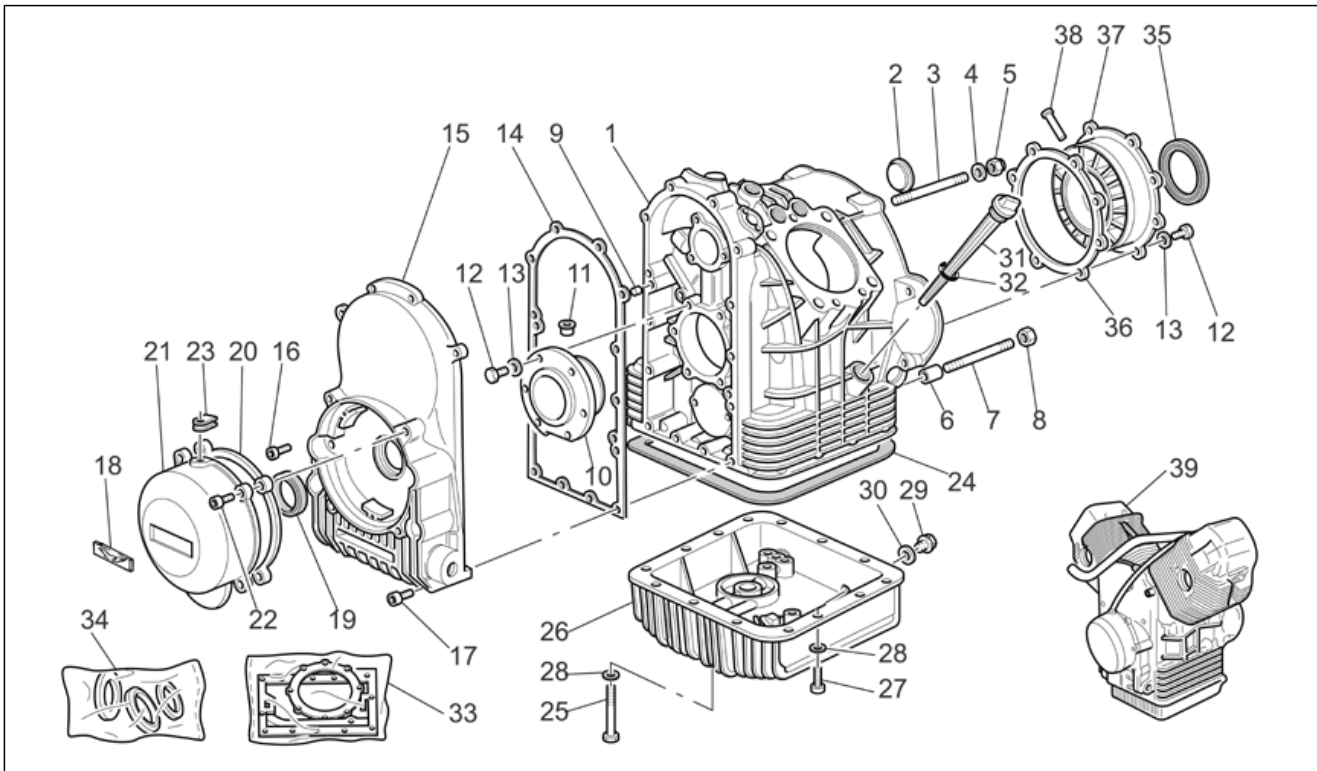
Pos.	Code	Description	Qty	Variants
1	977283	Decal "California Classic"	2	Vehicle colour:White/Grey 2006[w.grey] Technical Specifications:Classic Version[CLAS]
1	977284	Decal "California Classic"	2	Vehicle colour:Black 2006-2007[black], Red 2006[red], Vintage Red/Black 2007[red/bl.] Technical Specifications:Classic Version[CLAS]
2	977285	Decal "California Touring"	2	Vehicle colour:White/Grey 2006[w.grey] Technical Specifications:Touring Version[TOUR]
2	977286	Decal "California Touring"	2	Vehicle colour:Black 2006-2007[black], Red 2006[red] Technical Specifications:Touring Version[TOUR]
3	977287	Sticker line RH blue lord bianco	1	Vehicle colour:Red 2006[red]
3	977289	Sticker line RH blue lord argento "Mo	1	Vehicle colour:Black 2006-2007[black], Vintage Red/Black 2007[red/bl.]
3	977294	Sticker line RH blue lord antracite "	1	Vehicle colour:White/Grey 2006[w.grey]
4	977288	Sticker line LH bianco "Mot	1	Vehicle colour:Red 2006[red]
4	977290	Sticker line LH argento "Mo	1	Vehicle colour:Black 2006-2007[black], Vintage Red/Black 2007[red/bl.]
4	977295	Sticker line LH antracite "	1	Vehicle colour:White/Grey 2006[w.grey]
5	977360	Sticker line dark silver	4	Vehicle colour:Vintage Red/Black 2007[red/bl.]
5	977364	Decal filetto antracite	4	Vehicle colour:White/Grey 2006[w.grey]
6	GU03917570	Decal "Italian Story"	1	
7	GU30944300	Decal "Attention"	1	
8	GU03945455	Sticker "schema fusibili"	1	
9	GU03909960	Toolkit	1	
10	977373	Operator's handbook I-UK-F-D	1	
11	977632	Decal set bianco	1	Vehicle colour:Red 2006[red]
11	977633	Decal set argento	1	Vehicle colour:Black 2006-2007[black]
11	977634	Decal set antracite	1	Vehicle colour:White/Grey 2006[w.grey]
11	978480	Decal set argento	1	Vehicle colour:Vintage Red/Black 2007[red/bl.]

<b>Group</b>	FRAME
<b>Code</b>	33.35
<b>Description</b>	Lock hardware kit
<b>Service</b>	1



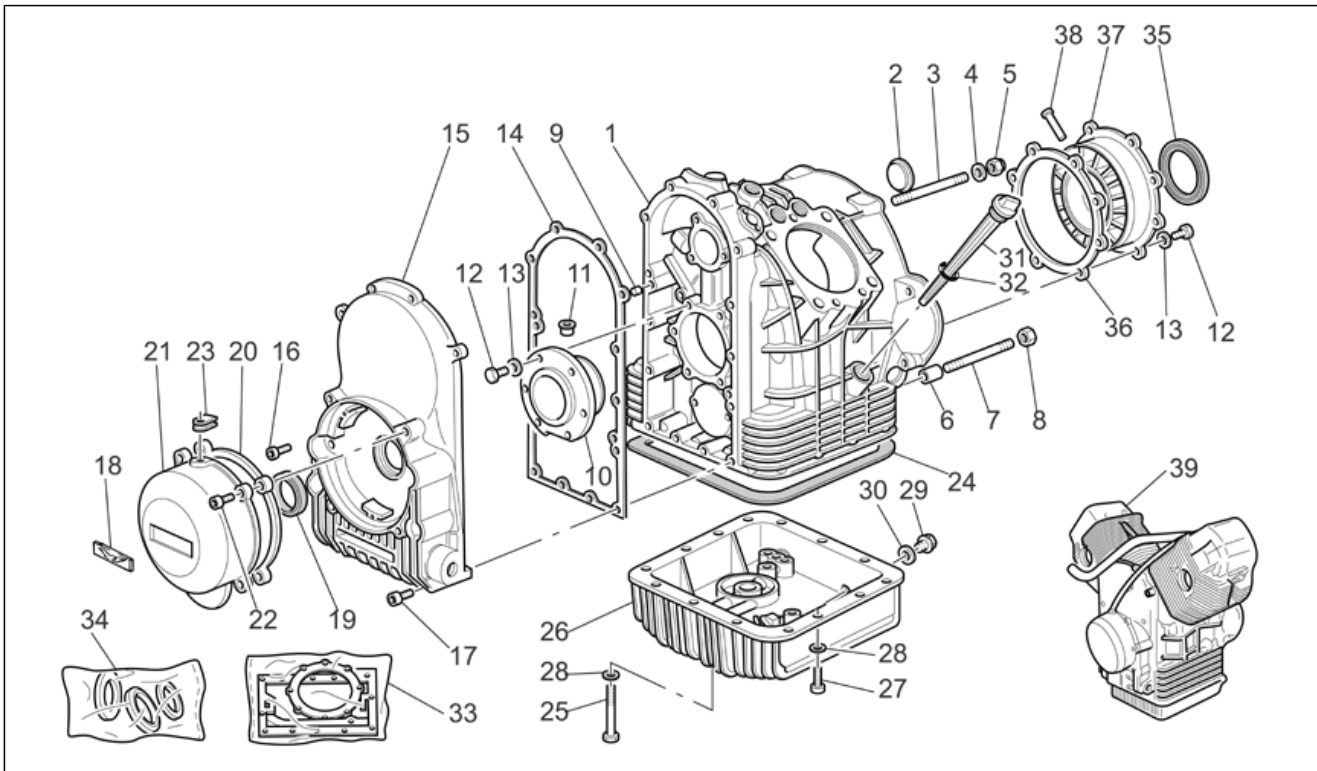
Pos.	Code	Description	Qty	Variants
1	GU03736870	Lock kit	1	
2	GU01782500	Main switch - steering lock	1	
3	GU03103970	Tank cap	1	
4	GU30462060	Saddle lock	1	
5	GU30735500	Non indented key blank	1	
6	GU97260415	Special screw M8x15	1	
7	GU98682416	Hex socket screw M8x16	1	

<b>Group</b>	ENGINE
<b>Code</b>	34.36
<b>Description</b>	Crank-case
<b>Service</b>	1



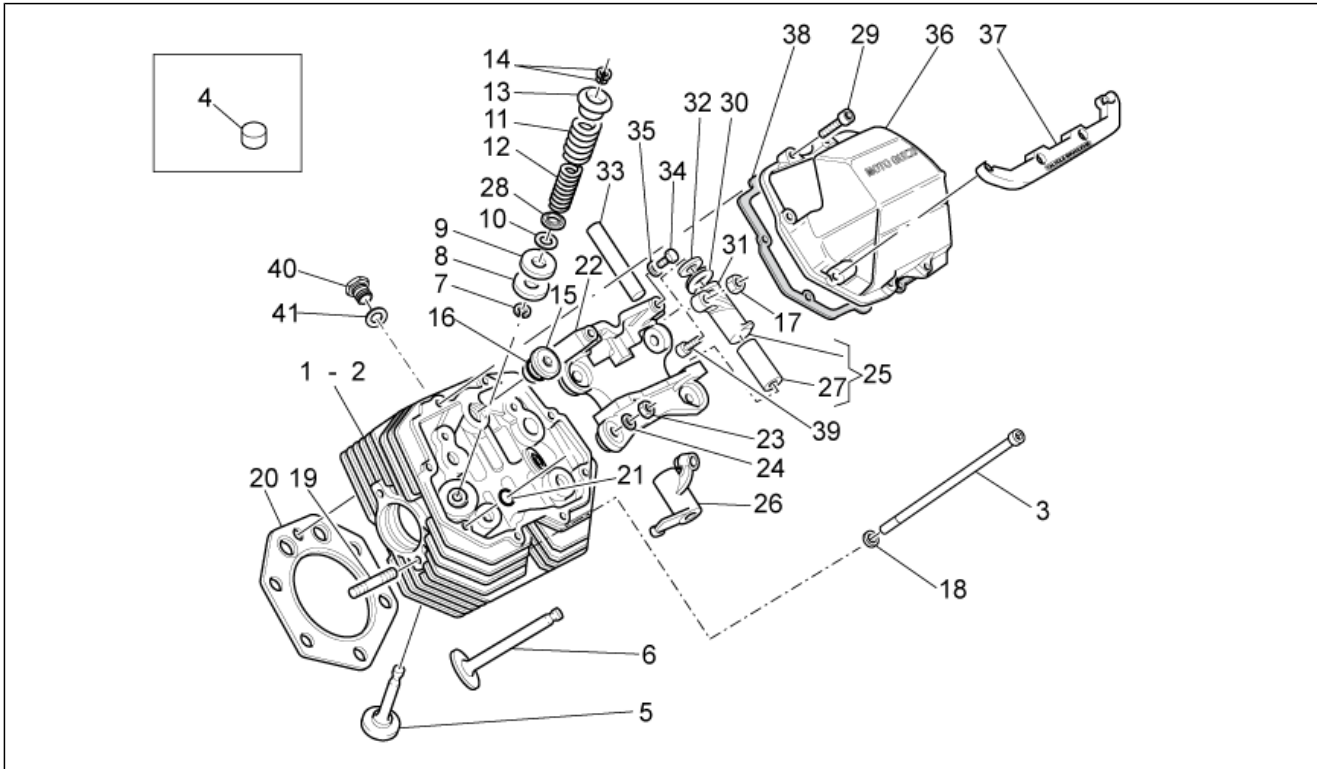
Pos.	Code	Description	Qty	Variants
1	976109	Crankcase black	1	<b>Technical Specifications:</b> From engine KT11810[M4]
1	976121	Crankcase black	1	<b>Technical Specifications:</b> Up to engine KT11809[M3]
2	GU12003900	Disc	1	
3	GU96508066	Stud bolt M8X66	4	
4	GU95005308	Washer 8,4x14,57x1,6	6	
5	GU92787008	Cap nut M8x1,25	2	
6	GU12018900	Coupling bush	2	
7	GU96508075	Stud bolt M8x75	2	
8	GU92606208	Nut M8x1,25	4	
9	GU95512081	Pin	2	
10	GU14011900	Complete flange	1	
10	GU14011901	Flange min.0,2 mm	1	
11	GU12012200	Pin	1	
12	GU98084425	Hex screw M8x25	14	
13	GU61270300	Spring washer 8x15x0,3	15	
14	GU05001230	Cover gasket	1	
15	976094	Timing cover black	1	<b>Technical Specifications:</b> Up to engine KT12511[M7]
15	976450	Timing cover black	1	<b>Technical Specifications:</b> From engine KT12512[M8]
16	AP8152280	Screw w/ flange M6x25	8	<b>Technical Specifications:</b> From engine KT12512[M8]
16	GU98682325	Hex socket screw M6x25	8	<b>Technical Specifications:</b> Up to engine KT12511[M7]
17	AP8152282	Screw w/ flange M6x35	6	<b>Technical Specifications:</b> From engine KT12512[M8]
17	GU98680335	Hex socket screw M6x35	6	<b>Technical Specifications:</b> Up to engine KT12511[M7]
18	GU02517700	Adhesive label	1	
19	GU90402840	Gasket ring 28x38x7	1	
20	GU18001150	Flange	1	
21	GU03001600	Generator cover polished plated	1	
22	GU98310631	screw	4	
23	GU19007700	Rubber spacer	1	

<b>Group</b>	ENGINE
<b>Code</b>	34.36
<b>Description</b>	Crank-case
<b>Service</b>	1



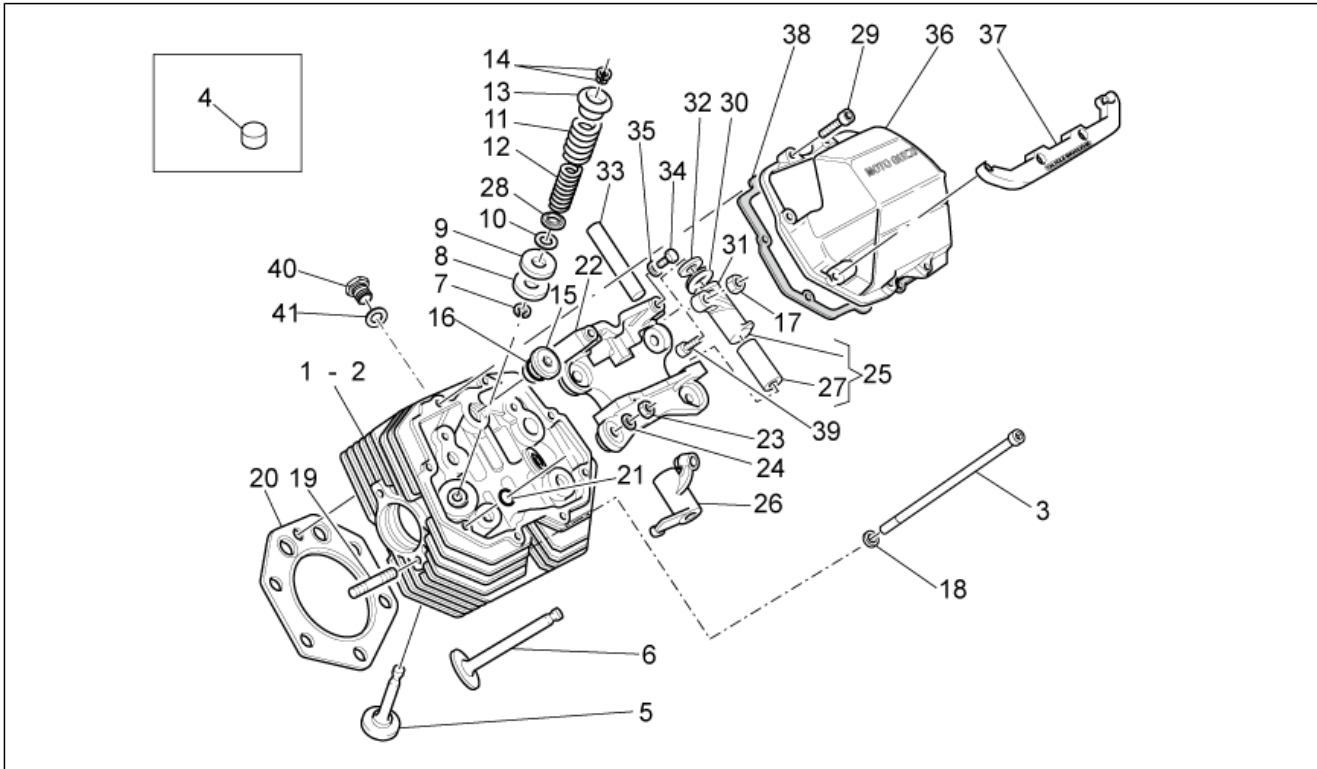
Pos.	Code	Description	Qty	Variants
24	GU14003600	Sump gasket	1	
25	GU98082390	screw	4	
26	GU03003555	Oil sump black	1	
27	GU98682325	Hex socket screw M6x25	14	
28	GU95008206	Washer 6,15x11x0,8	18	
29	GU12003702	Oil unload plug	1	
30	GU95100709	Gasket 20,1x28x2	1	
31	GU30004910	Oil plug	1	
32	GU90706178	O-ring 17,86X2,62	1	
33	GU30999060	Gaskets set	1	
34	GU17999550	Engine oil seal kit	1	
35	GU90405367	Gasket ring	1	
36	GU05011830	Gasket	1	
37	GU12011400	Complete flange	1	
37	GU12011401	Flange min.0,2 mm	1	
37	GU12011402	Flange min.0,4 mm	1	
37	GU12011403	Flange min.0,6 mm	1	
38	GU12011700	Pin	1	
39	976915	Engine black	1	

<b>Group</b>	ENGINE
<b>Code</b>	34.37
<b>Description</b>	Heads I
<b>Service</b>	1



Pos.	Code	Description	Qty	Variants
1	GU05022132	RH head assy w/h valve grey	1	<b>Technical Specifications:</b> Up to engine KT11809[M3]
2	GU05022232	LH head assy without valve grey	1	<b>Technical Specifications:</b> Up to engine KT11809[M3]
3	976144	screw	4	<b>Technical Specifications:</b> From engine KT11388[M2]
3	GU05021831	screw	4	<b>Technical Specifications:</b> Up to engine KT11387[M1]
4	GU05025331	Rubber spacer	18	
5	GU05036131	Exhaust valve	2	
6	GU05036030	Intake valve	2	
7	GU90353016	Snap ring	4	
8	GU13037200	Washer 14,2x31x1	4	
9	GU14037300	Washer 14,2x31x0,3	10	
10	GU01038730	Washer plate	4	<b>Technical Specifications:</b> Up to engine KT11809[M3]
11	GU37037405	Outer spring	4	
12	GU37037605	Inner spring	4	
13	GU01038060	Upper cup	4	
14	GU01038160	Valve half-cone	8	
15	GU12022600	Oil plug	2	
16	GU90706203	O-ring 20,24X2,62	2	
17	GU10034100	Nut	4	
18	GU95129180	Washer 10,5X18X0,8	4	
19	GU96508040	Stud bolt	4	
20	GU03022055	Gasket	2	
21	GU90706094	O-ring 9x2	8	<b>Technical Specifications:</b> Up to engine KT11809[M3]
22	GU14034865	Rocker arm support	2	<b>Technical Specifications:</b> Up to engine KT11809[M3]
23	GU92603010	Nut M10X1,5	10	
24	GU14018400	Washer 10,5X21X1	10	
25	GU14030201	RH rocker arm assy	2	
26	GU14030401	LH rocker arm assy	2	
27	GU91111511	Bushing 15x18x43	4	

<b>Group</b>	ENGINE
<b>Code</b>	34.37
<b>Description</b>	Heads I
<b>Service</b>	1

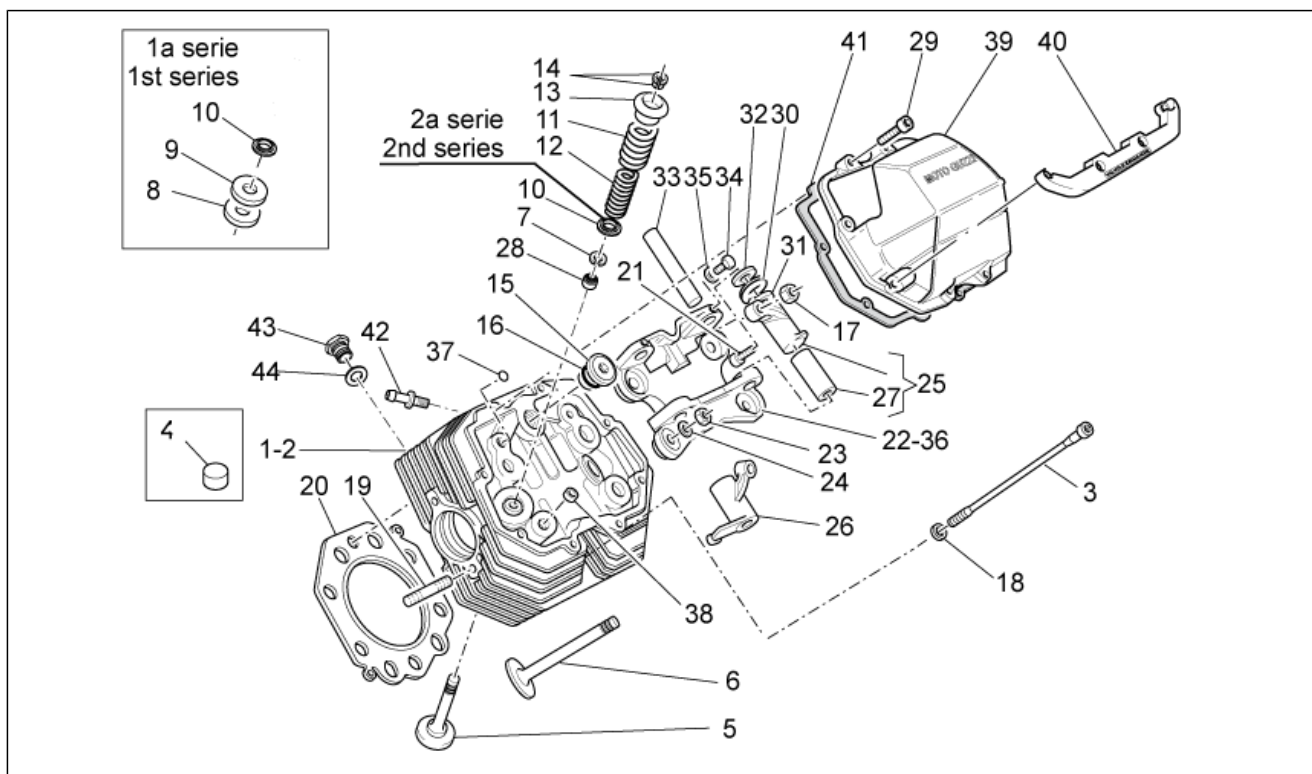


Pos.	Code	Description	Qty	Variants
28	GU01037030	Lower cup 14,2x32x5	4	
29	GU98692325	Hex socket screw M6x25	16	
30	GU94322215	Spring	4	
31	GU90118152	Washer 15,2x26x1	8	
32	GU10032700	Washer 15,2x26x0,5	4	
33	GU12031800	Rocker shaft	4	
34	GU98084316	Hex screw	4	
35	GU95120065	Washer 6,5x11x2	4	
36	GU03023530	RH/LH head cover polished	2	
37	GU03941000	Spark plug cover polished	2	
38	976139	Cover gasket	2	
39	GU17034050	Adjuster screw	4	
40	976068	Cover	2	
41	969973	Washer	2	





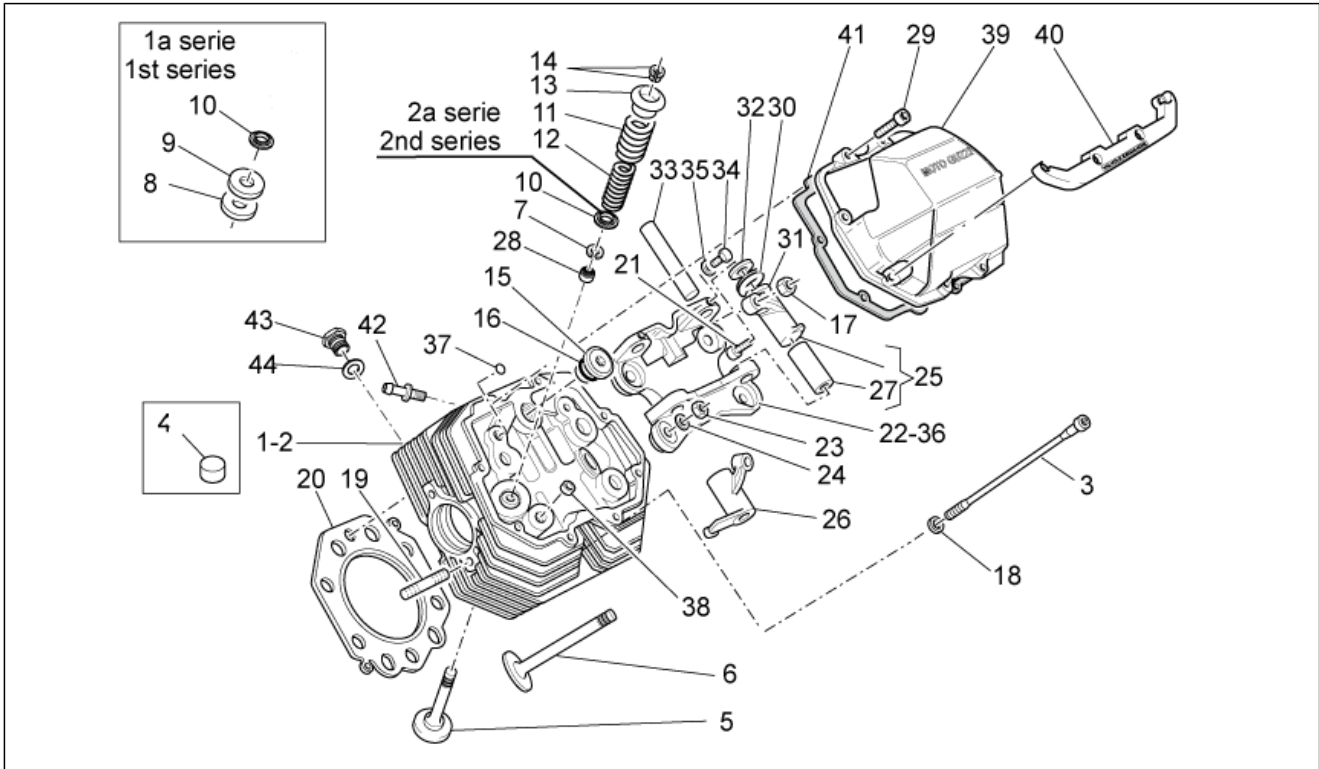
<b>Group</b>	ENGINE
<b>Code</b>	34.38
<b>Description</b>	Heads II
<b>Service</b>	1



Pos.	Code	Description	Qty	Variants
1	976079	RH head assy w/h valve grey	1	<b>Technical Specifications:</b> From engine KT11810[M4]
2	976080	LH head assy without valve grey	1	<b>Technical Specifications:</b> From engine KT11810[M4]
3	976144	screw	4	<b>Technical Specifications:</b> From engine KT11388[M2]
3	GU05021831	screw	4	<b>Technical Specifications:</b> Up to engine KT11387[M1]
4	GU05025331	Rubber spacer	18	
5	GU05036131	Exhaust valve	2	
6	GU05036030	Intake valve	2	
7	GU90353016	Snap ring	4	
8	GU13037200	Washer 14,2x31x1	4	
9	GU14037300	Washer 14,2x31x0,3	10	
10	976181	Lower cup 14,2x32x7	4	<b>Technical Specifications:</b> 2nd Serie[2A]
10	GU01037030	Lower cup 14,2x32x5	4	<b>Technical Specifications:</b> 1st Serie[1A]
11	GU37037405	Outer spring	4	
12	GU37037605	Inner spring	4	
13	GU01038060	Upper cup	4	
14	GU01038160	Valve half-cone	8	
15	GU12022600	Oil plug	2	
16	GU90706203	O-ring 20,24X2,62	2	
17	GU10034100	Nut	4	
18	GU95129180	Washer 10,5X18X0,8	4	
19	GU96508040	Stud bolt	4	
20	976087	Gasket	2	<b>Technical Specifications:</b> From engine KT11810[M4]
21	GU17034050	Adjuster screw	4	
22	976152	RH.Rocker arm support	1	<b>Technical Specifications:</b> From engine KT11810[M4]
23	GU92603010	Nut M10X1,5	10	
24	GU14018400	Washer 10,5X21X1	10	
25	GU14030201	RH rocker arm assy	2	
26	GU14030401	LH rocker arm assy	2	



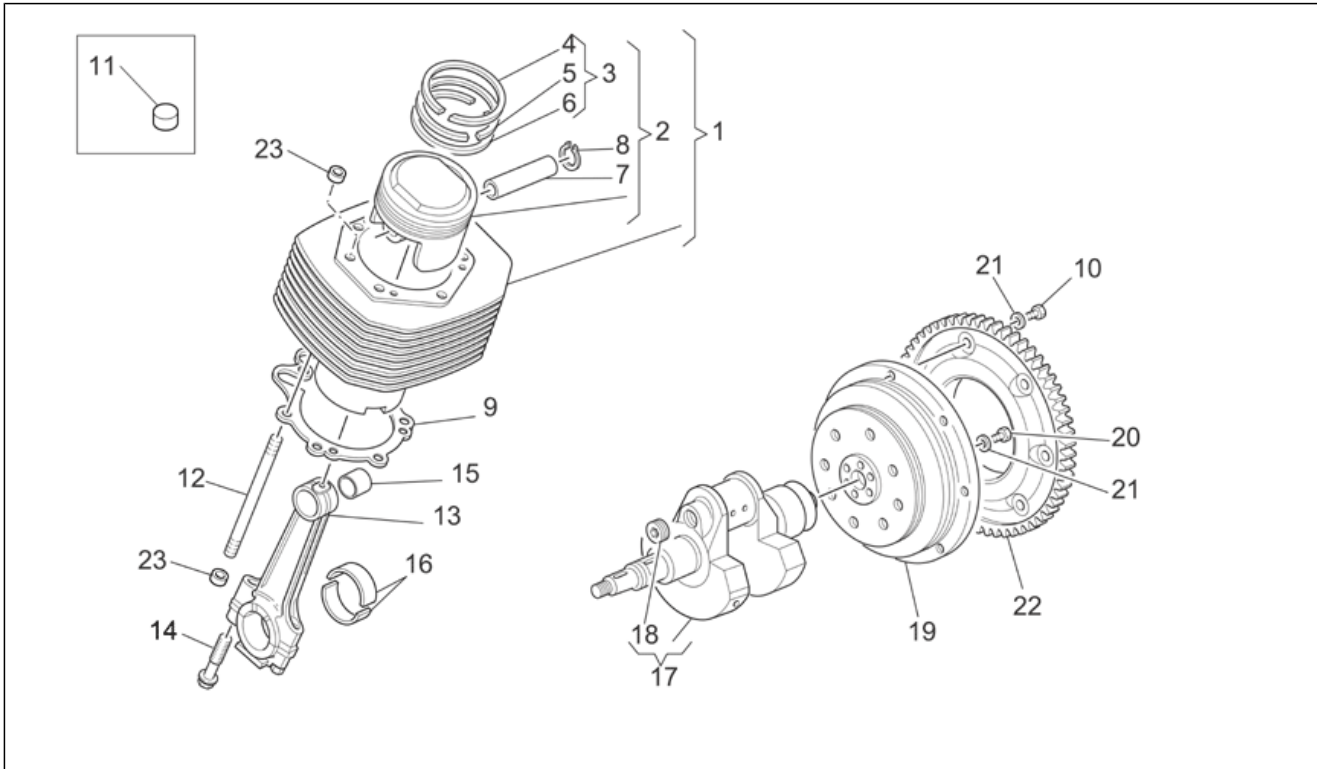
<b>Group</b>	ENGINE
<b>Code</b>	34.38
<b>Description</b>	Heads II
<b>Service</b>	1



Pos.	Code	Description	Qty	Variants
27	GU91111511	Bushing 15x18x43	4	
28	976107	Valve stem seal D8	4	<b>Technical Specifications:</b> From engine KT11810[M4]
29	GU98692325	Hex socket screw M6x25	16	
30	GU94322215	Spring	4	
31	GU90118152	Washer 15,2x26x1	8	
32	GU10032700	Washer 15,2x26x0,5	4	
33	GU12031800	Rocker shaft	4	
34	GU98084316	Hex screw	4	
35	GU95120065	Washer 6,5x11x2	4	
36	976153	LH.Rocker arm support	1	<b>Technical Specifications:</b> From engine KT11810[M4]
37	224202	O-ring 8,73x1,78-viton	4	<b>Technical Specifications:</b> From engine KT11810[M4]
38	825597	Pin 11,8X10	4	<b>Technical Specifications:</b> From engine KT11810[M4]
39	GU03023530	RH/LH head cover polished	2	
40	GU03941000	Spark plug cover polished	2	
41	976139	Cover gasket	2	
42	GU32023910	Breather union on head	1	
43	976068	Cover	2	
44	969973	Washer	2	

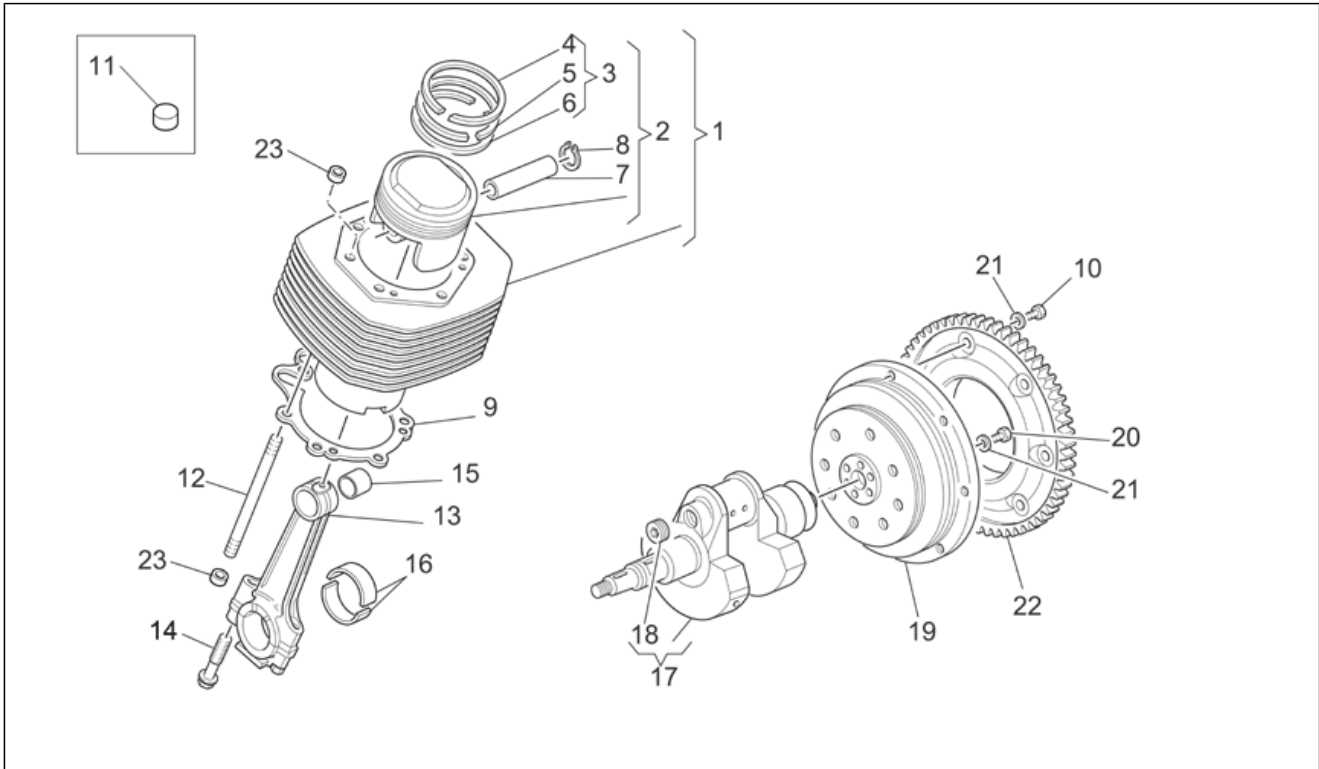


<b>Group</b>	ENGINE
<b>Code</b>	34.39
<b>Description</b>	Crankshaft - Piston
<b>Service</b>	1



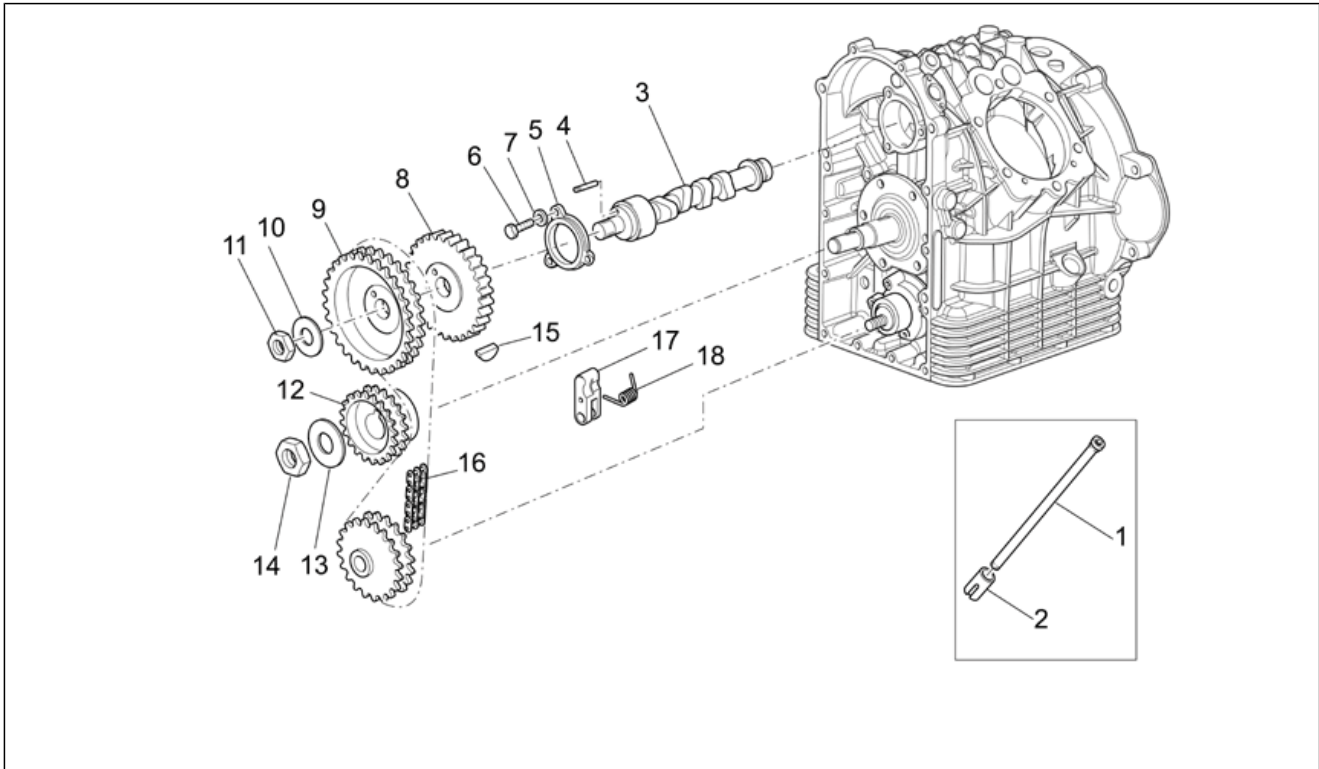
Pos.	Code	Description	Qty	Variants
1	976196	Cylinder with piston	2	<b>Technical Specifications:</b> From engine KT11810[M4]
1	GU05060130	Cylinder with piston	2	<b>Technical Specifications:</b> Up to engine KT11809[M3]
2	GU05060230	Piston assy	2	
3	GU05060630	Pistonring set	2	
4	GU05060730	Piston ring	2	
5	GU05060930	Piston ring	2	
6	GU05061030	Piston ring	2	
7	GU30061241	Piston pin	2	
8	GU90351039	Stop ring	4	
9	976064	Gasket	2	<b>Technical Specifications:</b> From engine KT11810[M4]
9	GU05020830	Gasket	2	<b>Technical Specifications:</b> Up to engine KT11809[M3]
10	GU98084420	screw M8x20	8	
11	GU05025330	Rubber spacer	54	
12	976031	Stud bolt	8	<b>Technical Specifications:</b> From engine KT11388[M2]
12	GU12021700	Stud bolt	8	<b>Technical Specifications:</b> Up to engine KT11387[M1]
13	976003	Connecting rod cpl.	2	<b>Technical Specifications:</b> From engine KT11862[M6]
13	GU05061530	Connecting rod cpl.	2	<b>Technical Specifications:</b> Until engine KT11861[M5]
14	849131	Connecting rod screw	4	<b>Technical Specifications:</b> From engine KT11862[M6]
14	GU01062230	Connecting rod screw	4	<b>Technical Specifications:</b> Until engine KT11861[M5]
15	GU91112128	Bushing	2	<b>Technical Specifications:</b> Until engine KT11861[M5]
16	976171	Bearing half-shell 1,539-1,544	4	<b>Technical Specifications:</b> Blue sign[BS], From engine KT11862[M6]
16	976172	Bearing half-shell 1,535-1,540	4	<b>Technical Specifications:</b> From engine KT11862[M6], Red sign[RS]
16	GU01062030	Bearing half-shell	4	<b>Technical Specifications:</b> Until engine KT11861[M5]
16	GU01062031	Bearing half-shell min.0,254	4	<b>Technical Specifications:</b> Until engine KT11861[M5]
16	GU01062032	Bearing half-shell min.0,508	4	<b>Technical Specifications:</b> Until engine KT11861[M5]
16	GU01062033	Bearing half-shell min.0,762	4	<b>Technical Specifications:</b> Until engine KT11861[M5]

<b>Group</b>	ENGINE
<b>Code</b>	34.39
<b>Description</b>	Crankshaft - Piston
<b>Service</b>	1



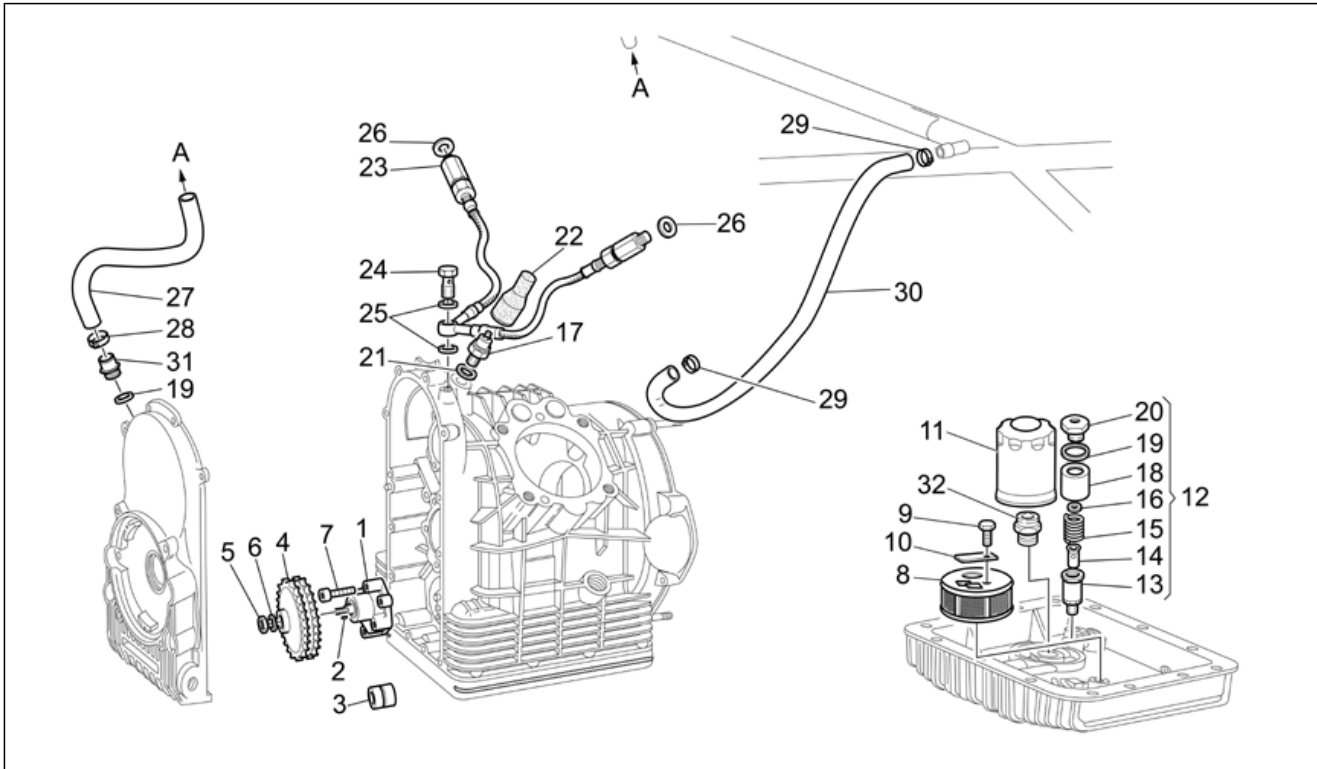
Pos.	Code	Description	Qty	Variants
17	976115	Crankshaft cpl.	1	<b>Technical Specifications:</b> Until engine KT11861[M5]
17	976188	Crankshaft cpl.	1	<b>Technical Specifications:</b> From engine KT11862[M6]
18	GU37065405	Cover	1	
19	GU03067030	Flywheel cpl.	1	
20	GU12067701	screw	6	
21	GU14615901	Washer 8,4X13X0,8	14	
22	GU17067900	Chain ring	1	
23	825597	Pin 11,8X10	6	<b>Technical Specifications:</b> From engine KT11810[M4]

<b>Group</b>	ENGINE
<b>Code</b>	34.40
<b>Description</b>	Timing system
<b>Service</b>	1



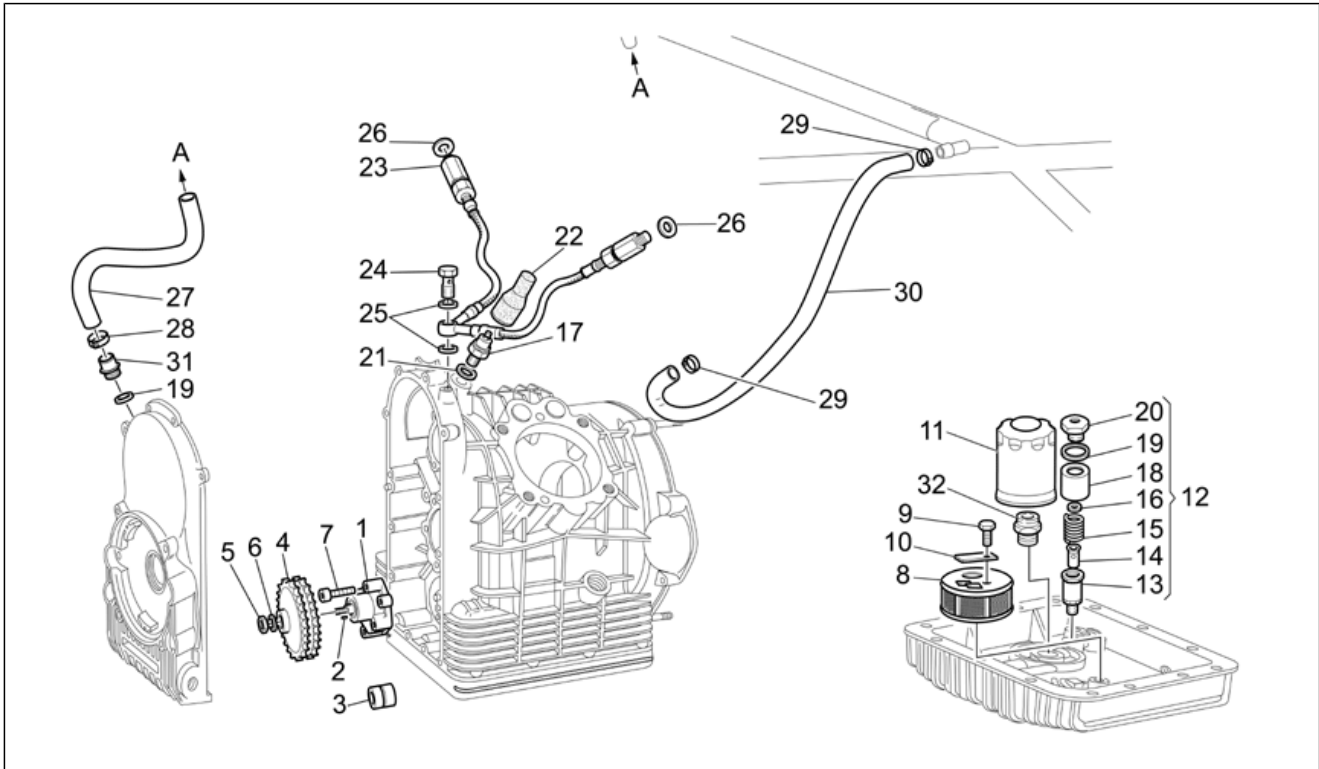
Pos.	Code	Description	Qty	Variants
1	GU37045006	Rocker arm rod	4	
2	GU17045860	Tappet	4	
3	GU05053331	Camshaft	1	
4	GU14234600	Pin	1	
5	GU01054001	Flange	1	
6	GU98084320	Hex screw M6x20	3	
7	GU95120065	Washer 6,5x11x2	3	
8	GU01051730	Wheel speed sensor, left front	1	
9	GU05054532	Timing system gear	1	
10	GU14433400	Spring washer 19x34x1,5	1	
11	GU92750180	Nut M18	1	
12	GU14072001	Pinion	1	
13	GU95100837	Washer 25,5x35x2	1	
14	GU92602525	Nut M25	1	
15	GU91702355	Transmission key	1	
16	GU05058030	Chain	1	
17	GU30058310	Chain guide plate	1	
18	GU30059211	Spring	1	

<b>Group</b>	ENGINE
<b>Code</b>	34.41
<b>Description</b>	Oil pump I
<b>Service</b>	1



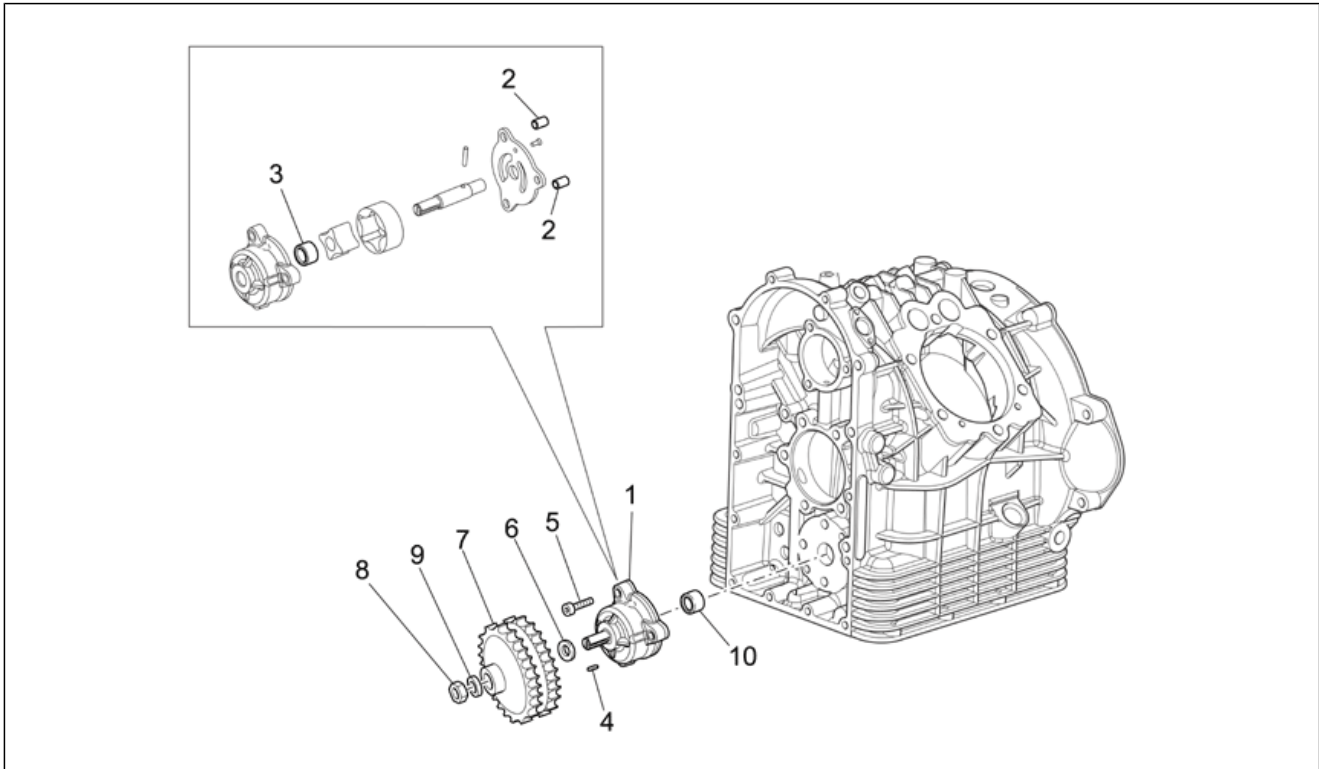
Pos.	Code	Description	Qty	Variants
1	GU30146400	Oil pump	1	<b>Technical Specifications:</b> Up to engine KT11809[M3]
2	GU13148300	Transmission key	1	
3	GU92252210	Roller bearing 10x22x20	1	<b>Technical Specifications:</b> Up to engine KT11809[M3]
4	GU30147700	Oil pump gear	1	
5	GU92606308	Nut M8	1	<b>Technical Specifications:</b> Up to engine KT11809[M3]
6	GU95120085	Spring washer	1	<b>Technical Specifications:</b> Up to engine KT11809[M3]
7	GU98682430	Hex socket screw M8x30	4	<b>Technical Specifications:</b> Up to engine KT11809[M3]
8	GU14152200	Oil filter	1	
9	GU98084316	Hex screw	1	
10	GU95187006	Plate	1	
11	GU30153000	Oil filter	1	
12	GU03158200	Oil valve cpl.	1	
13	GU30158701	Valve body	1	
14	GU30150900	Piston	1	
15	GU94321079	Spring	1	
16	GU95008206	Washer 6,15x11x0,8	1	
17	GU17768750	Pressure sensor	1	
18	GU30158800	Cup	1	
19	GU18144350	Washer 18,25x24x1	3	
20	GU30159000	Cover	1	
21	GU12006400	Gasket 12,25	2	
22	GU12717600	Cap	1	
23	GU05153630	Pipe	1	
24	GU95990037	screw	1	
25	GU12154200	Gasket 8,25x15x1	2	
26	GU25656102	Gasket	2	
27	GU03157460	pipe	1	
28	GU28157850	Hose clamp	2	

<b>Group</b>	ENGINE
<b>Code</b>	34.41
<b>Description</b>	Oil pump I
<b>Service</b>	1



Pos.	Code	Description	Qty	Variants
29	AP8102764	White hose clip d.13x6	2	
30	GU00823956080	Rubber pipe 12,5X7,8 5/16"	1	
31	GU03007260	Joint	1	
32	GU30003800	Oil filter union	1	

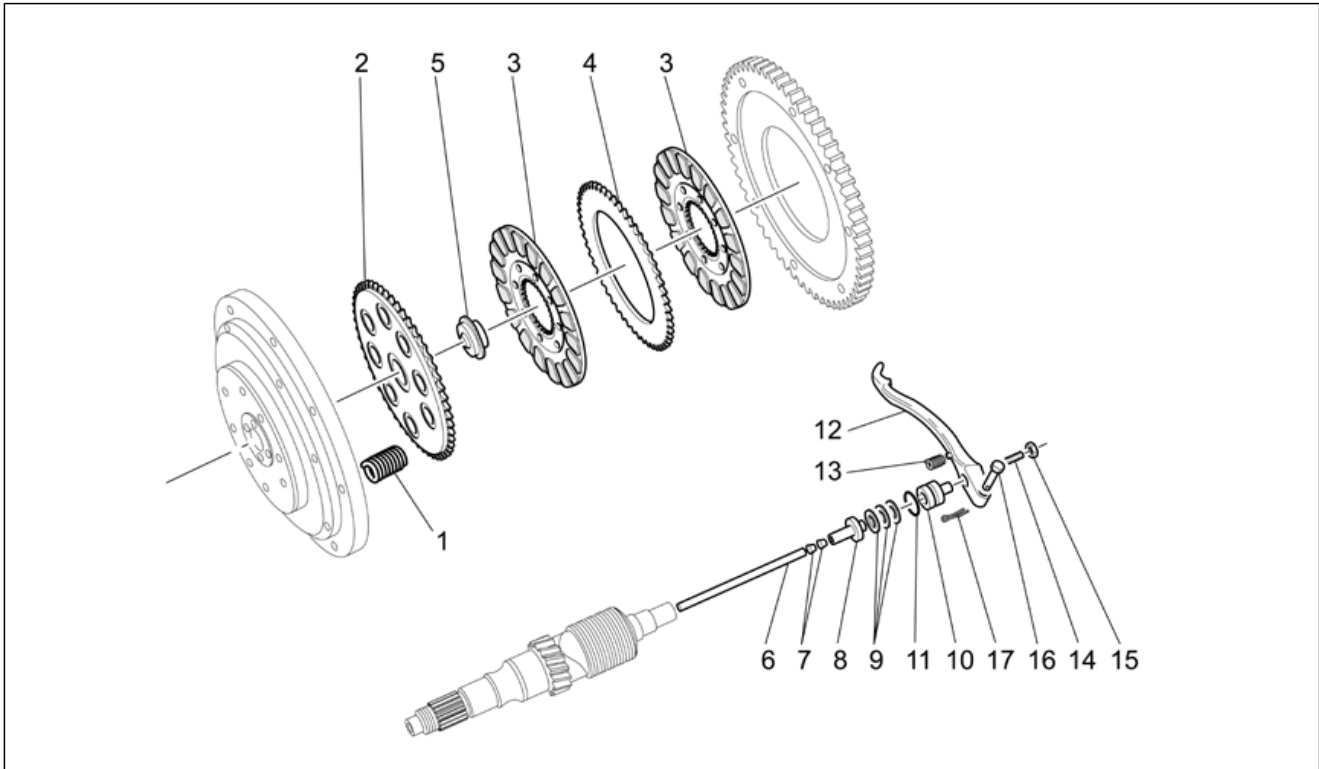
<b>Group</b>	ENGINE
<b>Code</b>	34.42
<b>Description</b>	Oil pump II
<b>Service</b>	1



Pos.	Code	Description	Qty	Variants
1	976134	Oil pump	1	<b>Technical Specifications:</b> From engine KT11810[M4]
2	277916	Locating dowel	2	<b>Technical Specifications:</b> From engine KT11810[M4]
3	976165	Cage à rouleaux 12x18x12	1	<b>Technical Specifications:</b> From engine KT11810[M4]
4	GU13148300	Transmission key	1	
5	GU98350330	Hex socket screw M6x30	3	<b>Technical Specifications:</b> From engine KT11810[M4]
6	976448	Fifth wheel	1	<b>Technical Specifications:</b> From engine KT11810[M4]
7	GU30147700	Oil pump gear	1	
8	GU92602510	Nut M10x1,25	1	<b>Technical Specifications:</b> From engine KT11810[M4]
9	GU19149800	Washer 10,5x16x1	1	<b>Technical Specifications:</b> From engine KT11810[M4]
10	976168	Cage à rouleaux 10x14x12	1	<b>Technical Specifications:</b> From engine KT11810[M4]

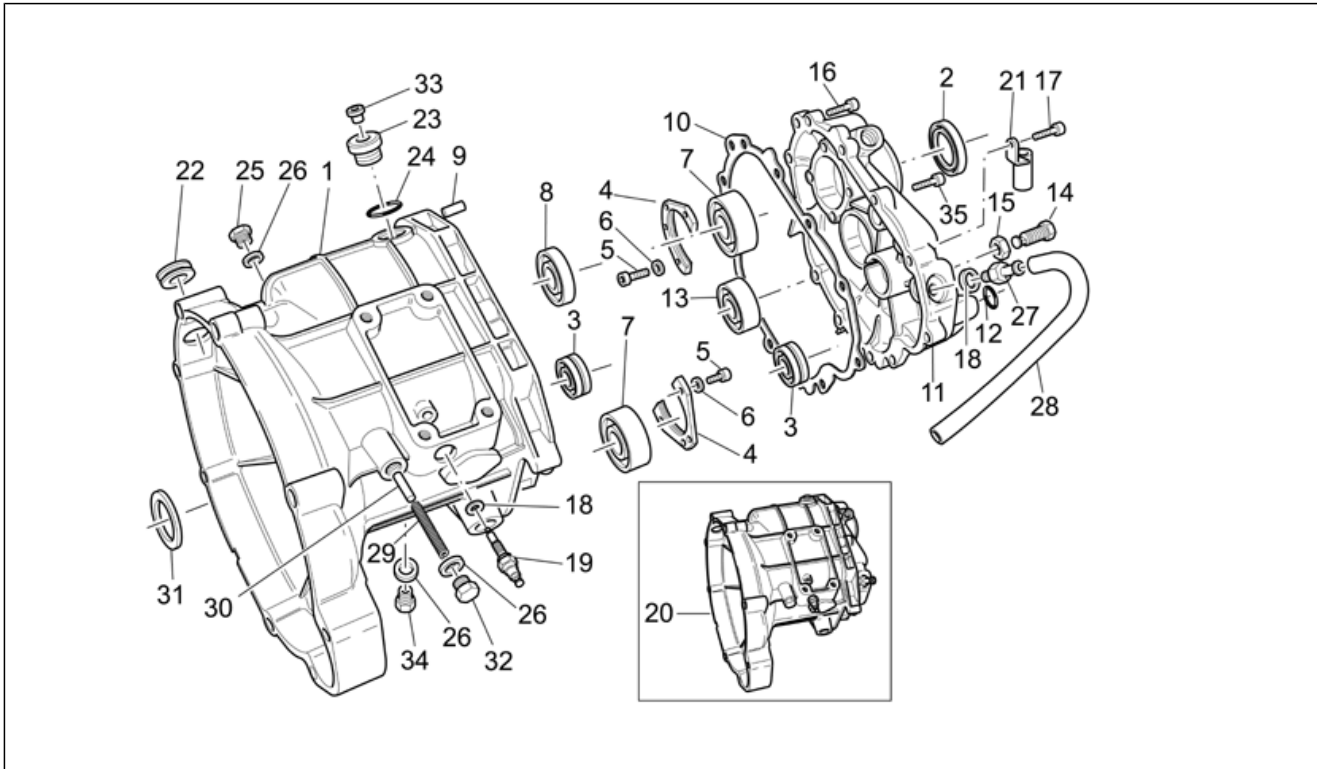


<b>Group</b>	ENGINE
<b>Code</b>	34.43
<b>Description</b>	Clutch
<b>Service</b>	1



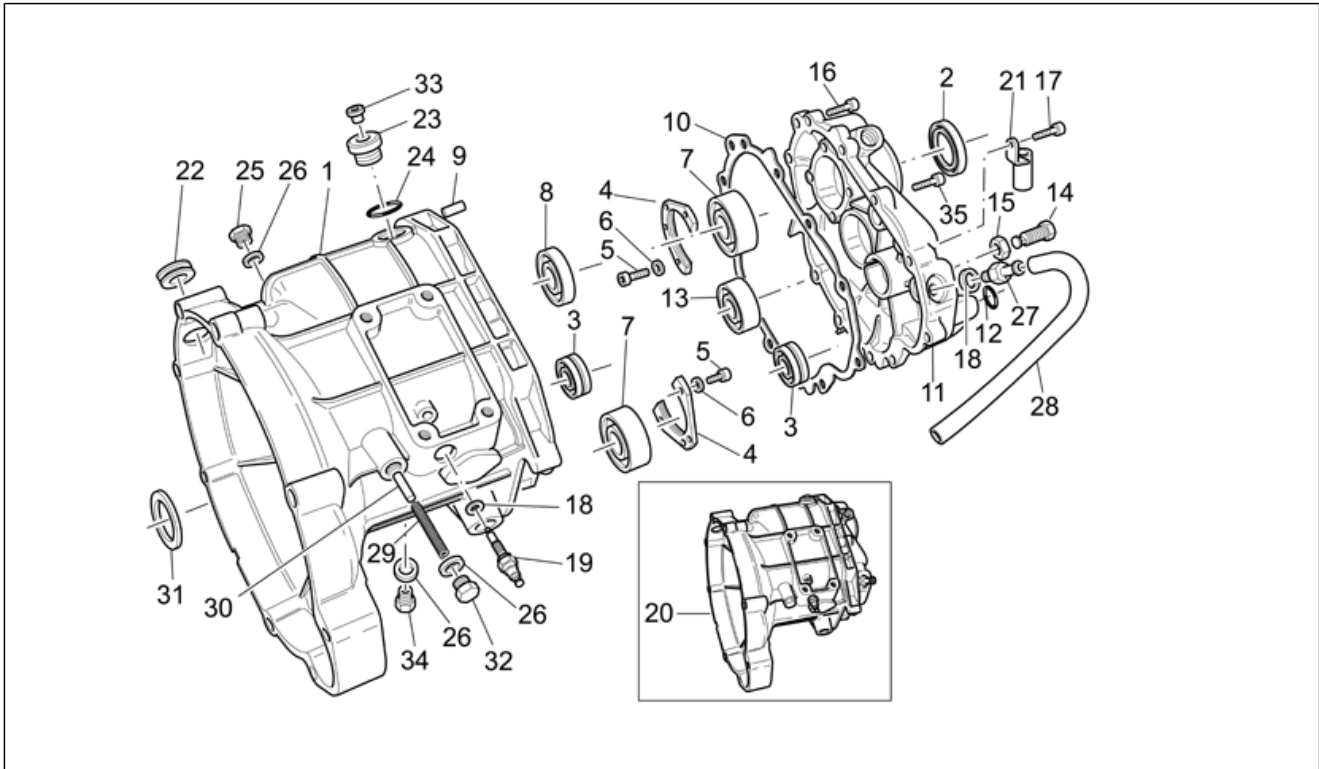
Pos.	Code	Description	Qty	Variants
1	GU13084100	Clutch spring	8	
2	GU12082901	Disc	1	
3	GU05084430	Clutch plate complete	2	
4	GU12082300	Intermediate plate	1	
5	GU12082800	Cup	1	
6	GU14085700	Rod	1	
7	GU14085900	Bush	2	
8	GU14086000	Inner body	1	
9	GU12087001	Thrust bearing	1	
10	GU14086100	Outer body	1	
11	GU90706170	O-ring 17,13x2,62	1	
12	GU14090202	Clutch release shaft	1	
13	GU94321105	Lever return spring	1	
14	GU14090400	Adjuster screw	1	
15	GU92606508	Nut	1	
16	GU95780271	Pin 7x39	1	
17	GU95500222	Split pin	1	

<b>Group</b>	ENGINE
<b>Code</b>	34.44
<b>Description</b>	Transmission cage
<b>Service</b>	1



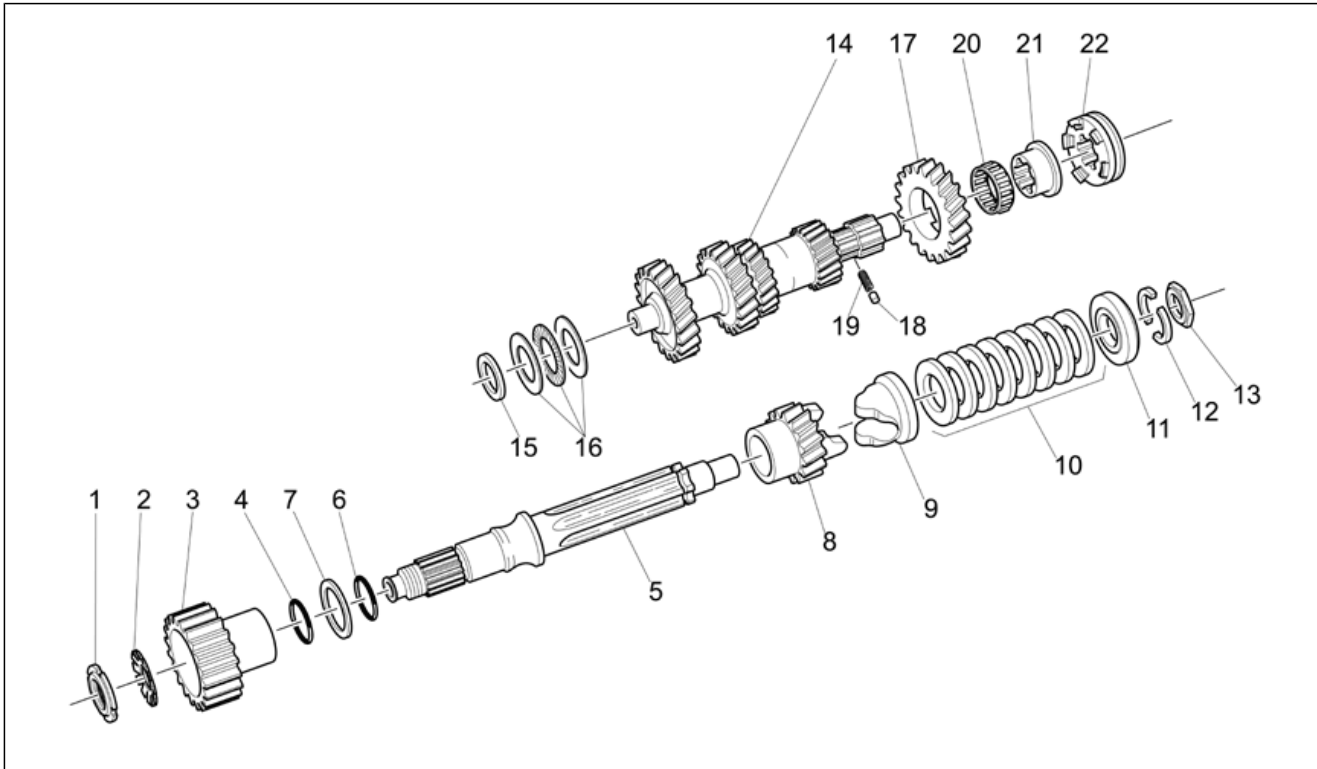
Pos.	Code	Description	Qty	Variants
1	GU03200255	Gearbox black	1	
2	GU90403547	Gasket ring 35x47x7	1	
3	GU92256218	Roller bearing 17x35x15	2	
4	GU14213803	plate	2	
5	GU98682316	Hex socket screw M6x16	6	
6	GU14217901	Washer 6,4x10x0,7	6	
7	GU92218424	Ball bearing AF/AS 25x52	2	
8	GU92234717	Roller bearing AS 17x47x14	1	
9	GU95512081	Pin	2	
10	GU14201110	Gasket	1	
11	GU03200855	Case cover black	1	
12	GU90706140	O-ring 13,95x2,92	1	
13	GU92201417	Ball bearing AP 17x47x14	1	
14	GU14237800	screw	1	
15	GU92606512	Low nut M12x1,25	1	
16	GU98682325	Hex socket screw M6x25	9	
17	GU98680335	Hex socket screw M6x35	1	
18	GU12154200	Gasket 8,25x15x1	4	
19	GU19207220	Sensor	1	
20	GU03991572	Complete gearbox black	1	
21	GU30424660	Maintenance	1	
22	GU93180220	Cover	1	
23	GU12022600	Oil plug	1	
24	GU90706203	O-ring 20,24x2,62	1	
25	GU95980214	Oil level plug	1	
26	GU01528930	Gasket 10x18x1,5	3	
27	GU14204955	Oil breather valve	1	
28	GU00823956080	Rubber pipe 12,5X7,8 5/16"	1	

<b>Group</b>	ENGINE
<b>Code</b>	34.44
<b>Description</b>	Transmission cage
<b>Service</b>	1



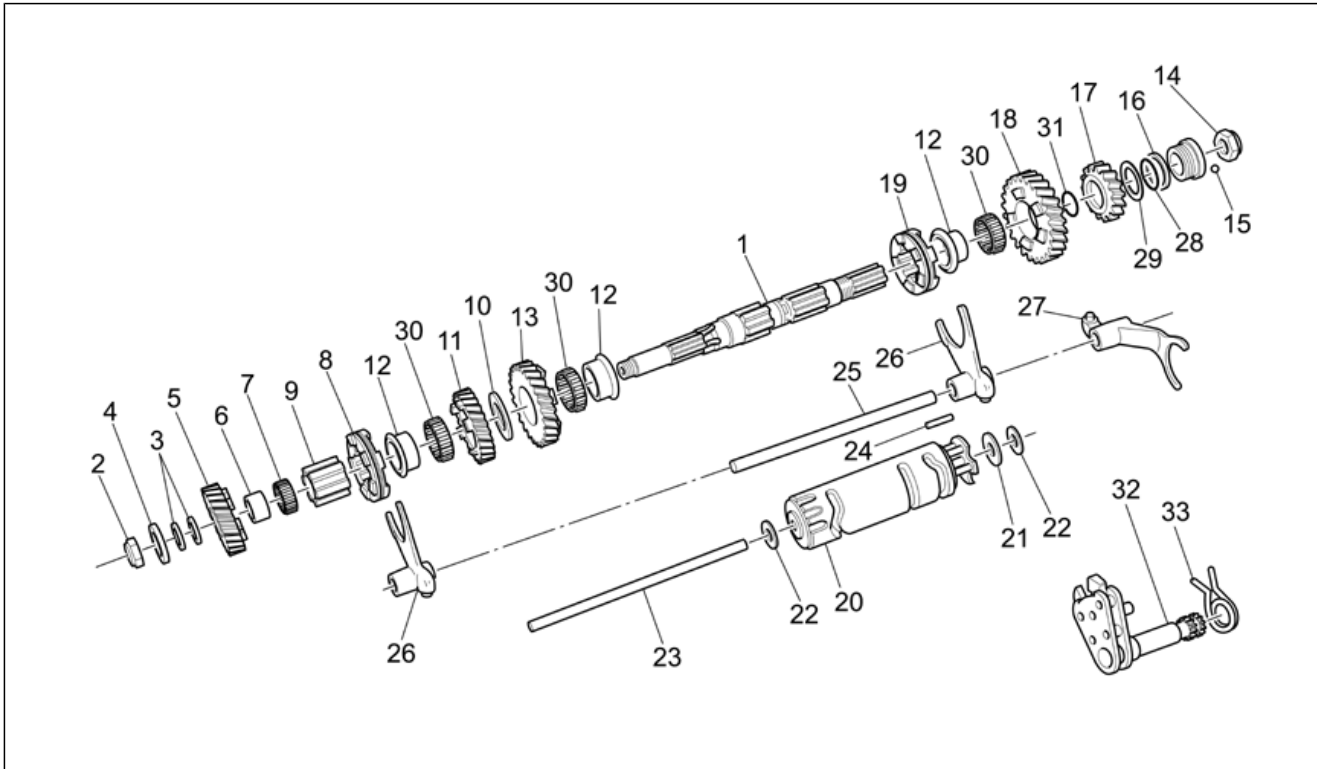
Pos.	Code	Description	Qty	Variants
29	GU94321067	Lever return spring	1	
30	GU28234700	Pawl	1	
31	GU90403548	Gasket ring 35x47x7/6,5	1	
32	GU95980610	Cover	1	
33	GU93180245	Cover	1	
34	GU31003766	Oil unload plug M10x1	1	
35	GU98882325	Low head socket screw M6x25 M6x25	1	

<b>Group</b>	ENGINE
<b>Code</b>	34.45
<b>Description</b>	Primary gear shaft
<b>Service</b>	1



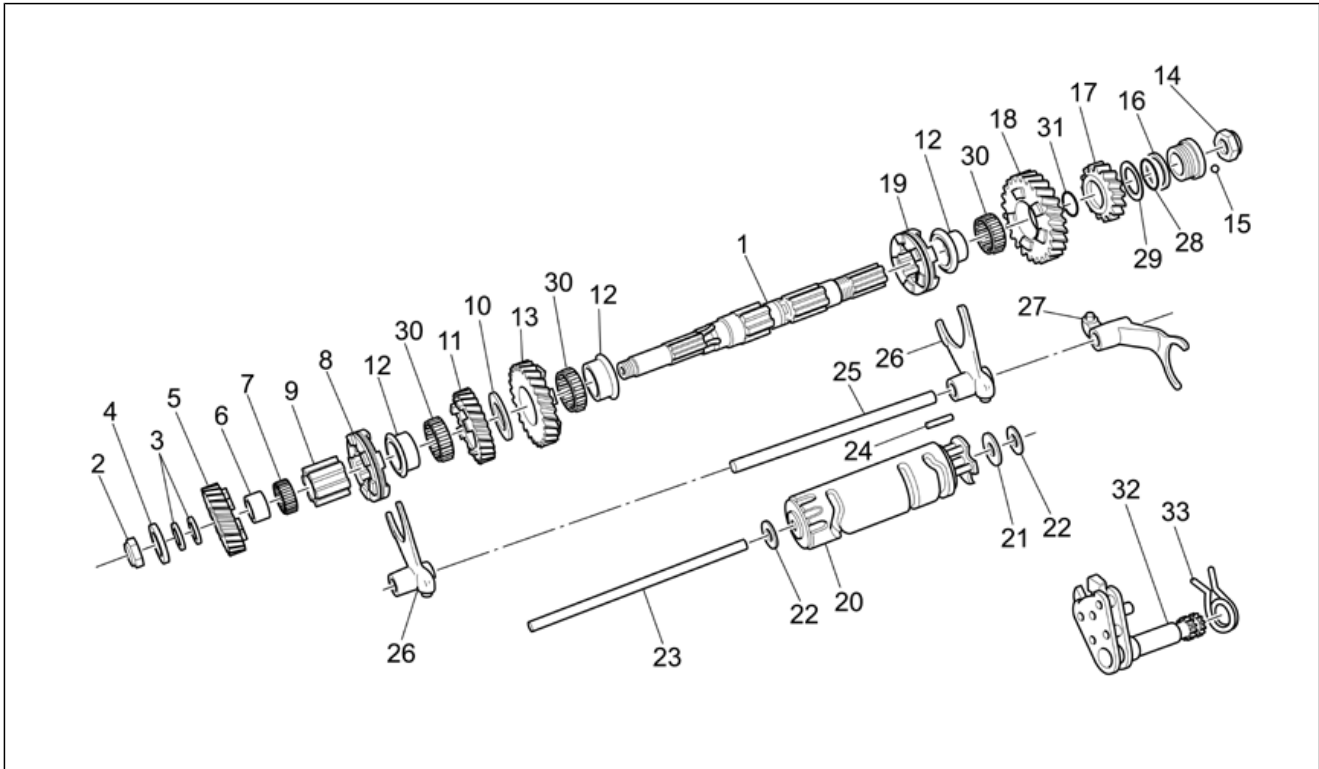
Pos.	Code	Description	Qty	Variants
1	GU93601022	Ring nut	1	
2	GU95028022	Washer 22x20x3,9	1	
3	GU30081810	Clutch gear	1	
4	GU90706235	O-ring 23,52x1,78	1	
5	GU14210702	Clutch shaft	1	
6	GU90706203	O-ring 20,24X2,62	1	
7	GU14218401	Oil-spreading washer 25,1x36x0,5	1	
8	GU03211160	Idle gear Z=17	1	
9	GU03211260	Hose	1	
10	GU04211500	Belleville spring	8	
11	GU03211660	Disc	1	
12	GU12211700	Half ring	2	
13	GU14219401	Spacer	1	
14	GU14210513	Primary gear shaft	1	
15	GU18211050	Thrust washer sp.2	1	
15	GU18211051	Thrust washer sp.2,1	1	
15	GU18211052	Thrust washer sp.2,2	1	
15	GU18211054	Thrust washer sp.2,4	1	
16	GU92258525	Roller bearing	1	
17	GU03212000	Gear 5a AP 5 inn.Z=28	1	
18	GU92296750	Roller	1	
19	GU94321051	Spring	1	
20	GU92251030	Roller cage 30x35x13	1	
21	GU14212210	Bush 5a AP	1	
22	GU30231525	Sliding sleeve	1	

<b>Group</b>	ENGINE
<b>Code</b>	34.46
<b>Description</b>	Driven shaft
<b>Service</b>	1



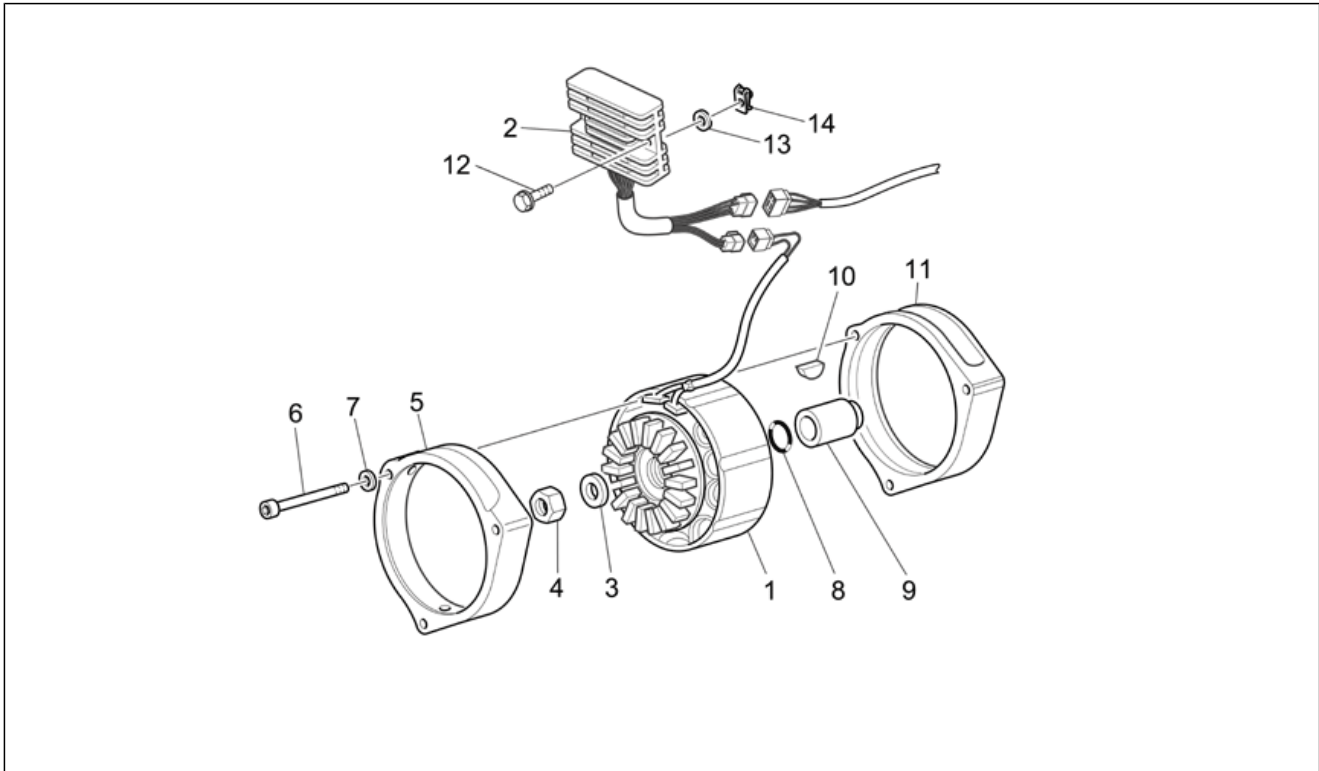
Pos.	Code	Description	Qty	Variants
1	GU14213612	Driven shaft	1	
2	GU14217410	Nut	1	
3	GU43083810	Shim 17,25x27x0,5	4	
4	GU14215400	Clearance washer 17,1x30	1	
5	GU03215100	Gear 4a AS 5 inn.Z=20	1	
6	GU92259017	Ring 4a	1	
7	GU92251022	Roller cage 4a A.S.	1	
8	GU30231025	Hose 3a-4a AS 5 inn.	1	
9	GU14232512	Hose	1	
10	GU14218011	Washer 25x40x3	1	
11	GU03214800	Gear 3a AS 5 inn.Z=22	1	
12	GU14213001	Bush 1a-2a-3a AS	3	
13	GU03214500	Gear 2a AS 5 inn.Z=25	1	
14	GU14219310	Nut	1	
15	GU92295702	Ball	1	
16	GU14217300	Washer 22,1x32x2	1	
17	GU14215213	Gear 5a AS Z=21	1	
18	GU30214225	Gear 1a AS 5 inn.Z=28	1	
19	GU30230725	Sliding sleeve 1a-2aAS5 inn	1	
20	GU03234400	Shift cam	1	
21	GU14235500	Washer 8,2x28x1	1	
22	GU55235000	Shim 0,6 mm	2	
22	GU55235001	Shim 0,8 mm	2	
22	GU55235002	Shim 1 mm	2	
22	GU55235003	Shim 1,2 mm	2	
23	GU14234300	Rod	3	
24	GU14234600	Pin	1	
25	GU14232400	Rod	4	

<b>Group</b>	ENGINE
<b>Code</b>	34.46
<b>Description</b>	Driven shaft
<b>Service</b>	1



Pos.	Code	Description	Qty	Variants
26	GU14230501	Fork 1a-2a-3a-4a	1	
27	GU14231201	Fork	2	
28	GU90706219	O-ring 21,95x1,78	1	
29	GU28217350	Washer	1	
30	GU92251030	Roller cage 30x35x13	3	
31	GU90706203	O-ring 20,24X2,62	1	
32	GU03236250	Preselection complete	1	
33	GU28238261	Spring	1	

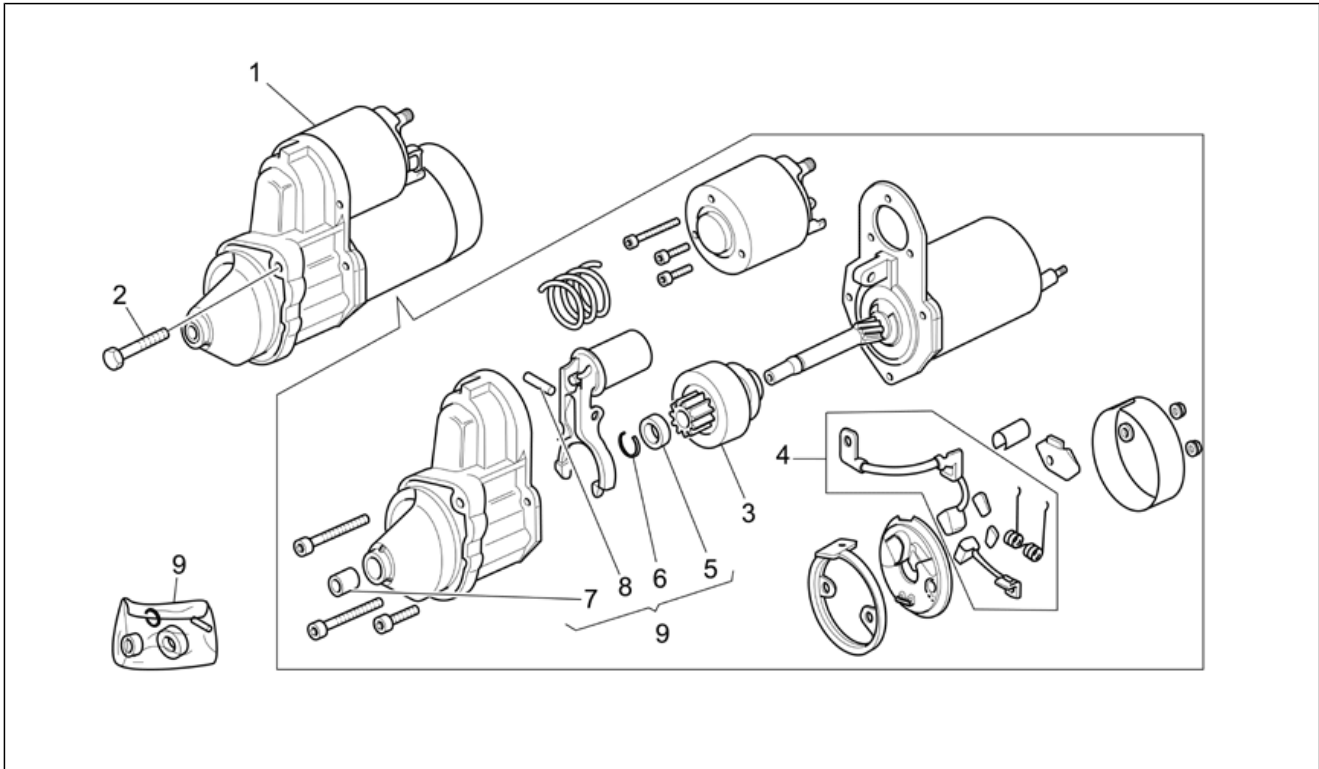
<b>Group</b>	ENGINE
<b>Code</b>	34.47
<b>Description</b>	Generator - Regulator
<b>Service</b>	1



Pos.	Code	Description	Qty	Variants
1	GU32712411	Ducati generator	1	
2	GU32703810	DUCATI regulator	1	
3	GU30714201	Washer 16,25x24,5x5	1	
4	GU92606516	Nut M16	1	
5	GU29711460	Front calotte	1	
6	GU98680265	Hex socket screw	3	
7	GU29217960	Washer 5,9X3X0,8	3	
8	GU90706178	O-ring 17,86X2,62	1	
9	GU37712306	Spacer	1	
10	GU91600450	Transmission key	1	
11	GU29711960	Rear cap	1	
12	AP8152282	Screw w/ flange M6x35	2	
13	GU95100141	Washer 6,4x12x1,2	2	
14	GU28576591	Clip M6	2	

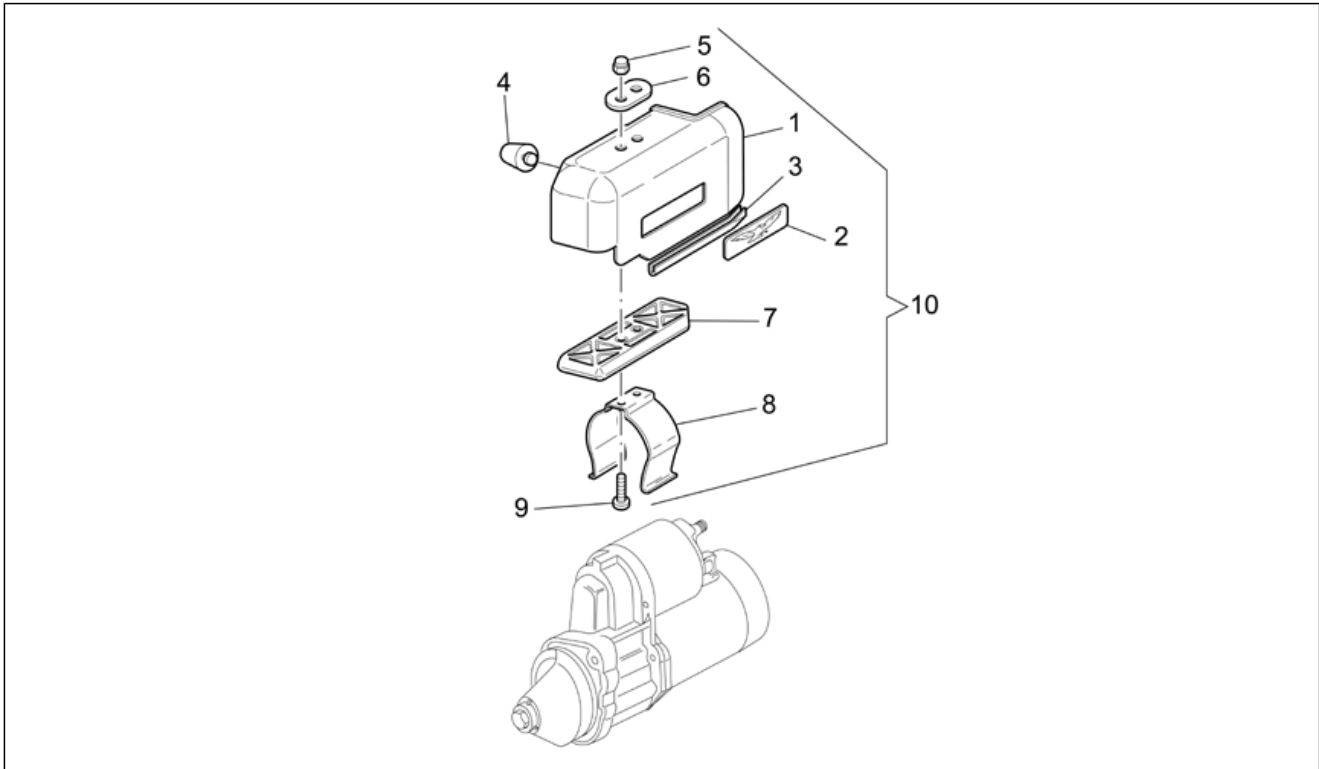


<b>Group</b>	ENGINE
<b>Code</b>	34.48
<b>Description</b>	Starter motor
<b>Service</b>	1



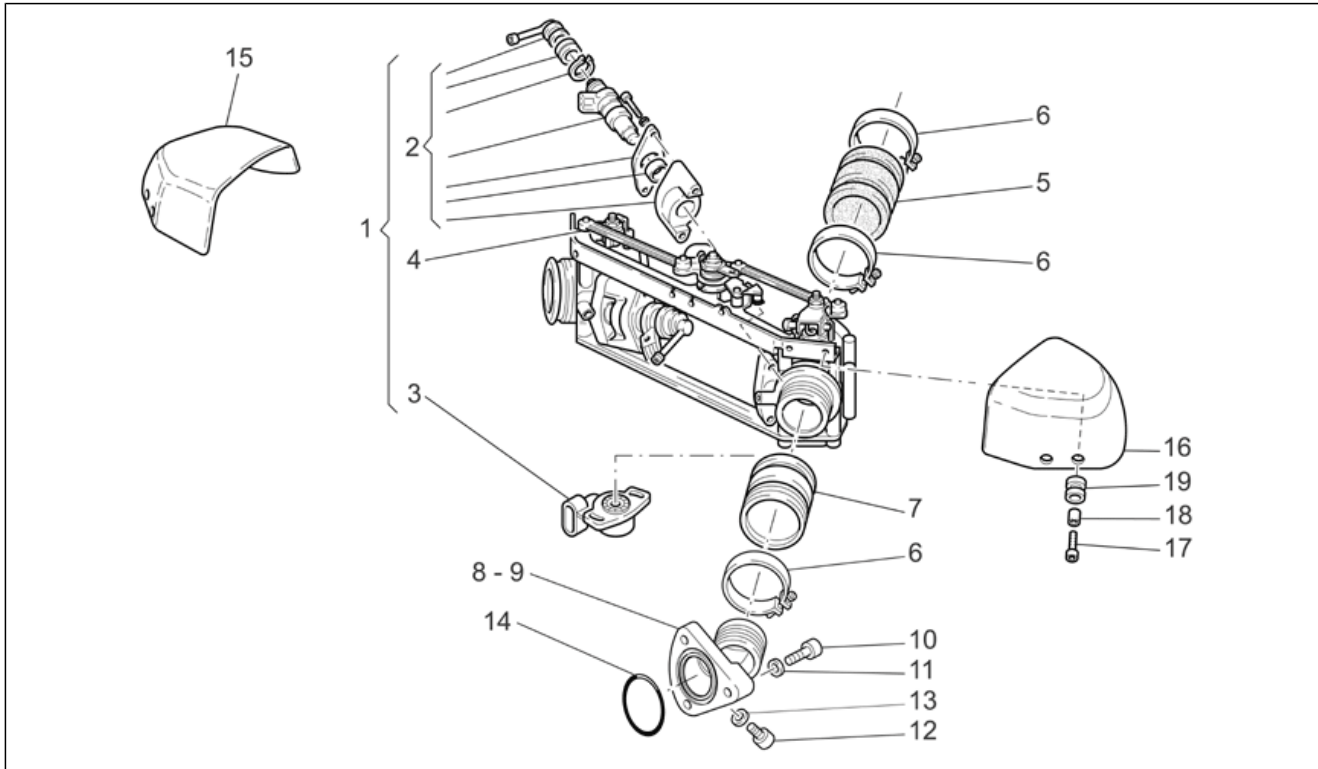
Pos.	Code	Description	Qty	Variants
1	GU30730711	Starter motor Valeo	1	
2	GU98082475	Hex screw M8x75	2	
3	GU30530510	Pinion assy	1	
4	GU30530511	Brush revision set	1	
5	0000000	Tyre	1	
6	0000000	Tyre	1	
7	0000000	Tyre	1	
8	0000000	Tyre	1	
9	GU30530512	Starter motor revision kit	1	

<b>Group</b>	ENGINE
<b>Code</b>	34.49
<b>Description</b>	Starter motor cover
<b>Service</b>	1



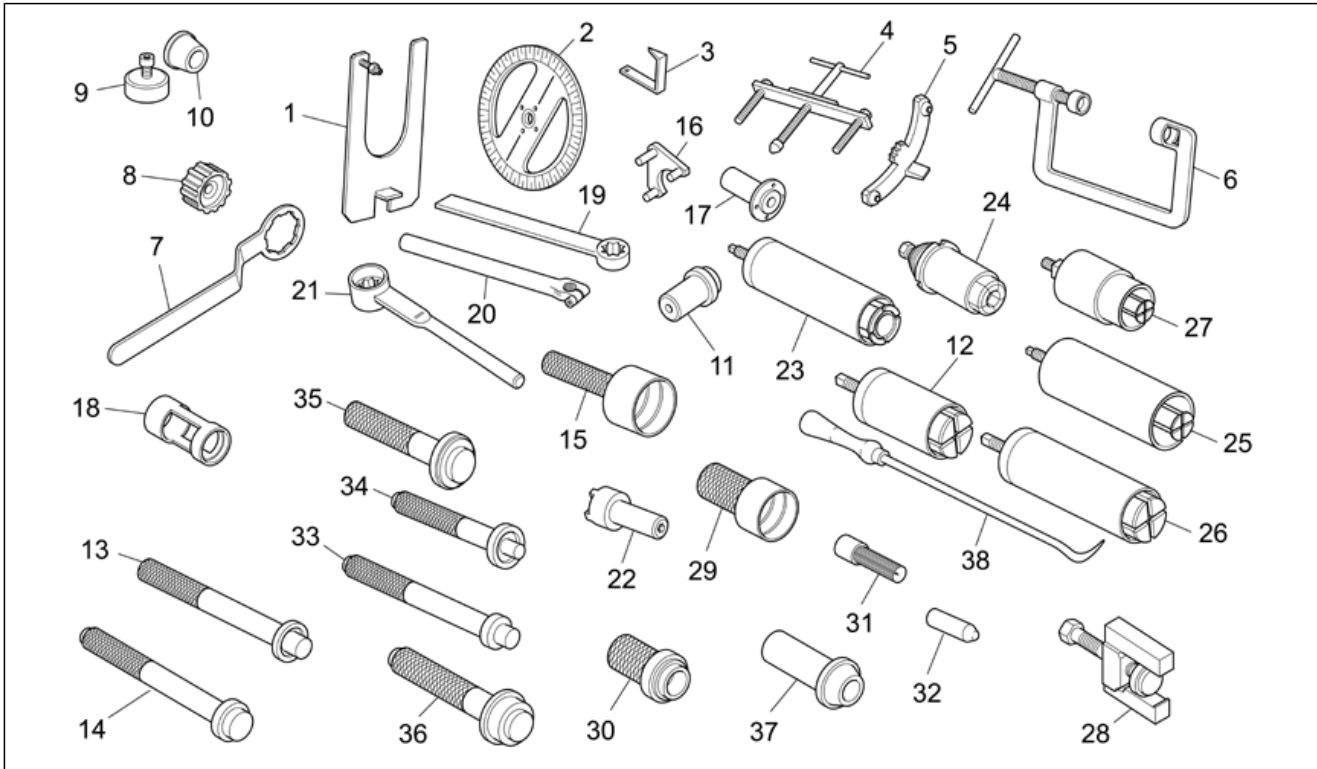
Pos.	Code	Description	Qty	Variants
1	GU03733300	Starter device cover	1	
2	GU01517700	Decal "Aquila"	1	
3	GU00823931055	Gasket	1	
4	GU93180577	Rubber spacer	1	
5	GU92787205	Cap nut	2	
6	GU03436300	Plate	1	
7	GU03733000	Insulating spacer	1	
8	GU03733400	Hose clamp	1	
9	GU03733500	screw	2	
10	GU03733200	Motor cover assy chr.plated	1	

<b>Group</b>	ENGINE
<b>Code</b>	34.50
<b>Description</b>	Throttle body
<b>Service</b>	1



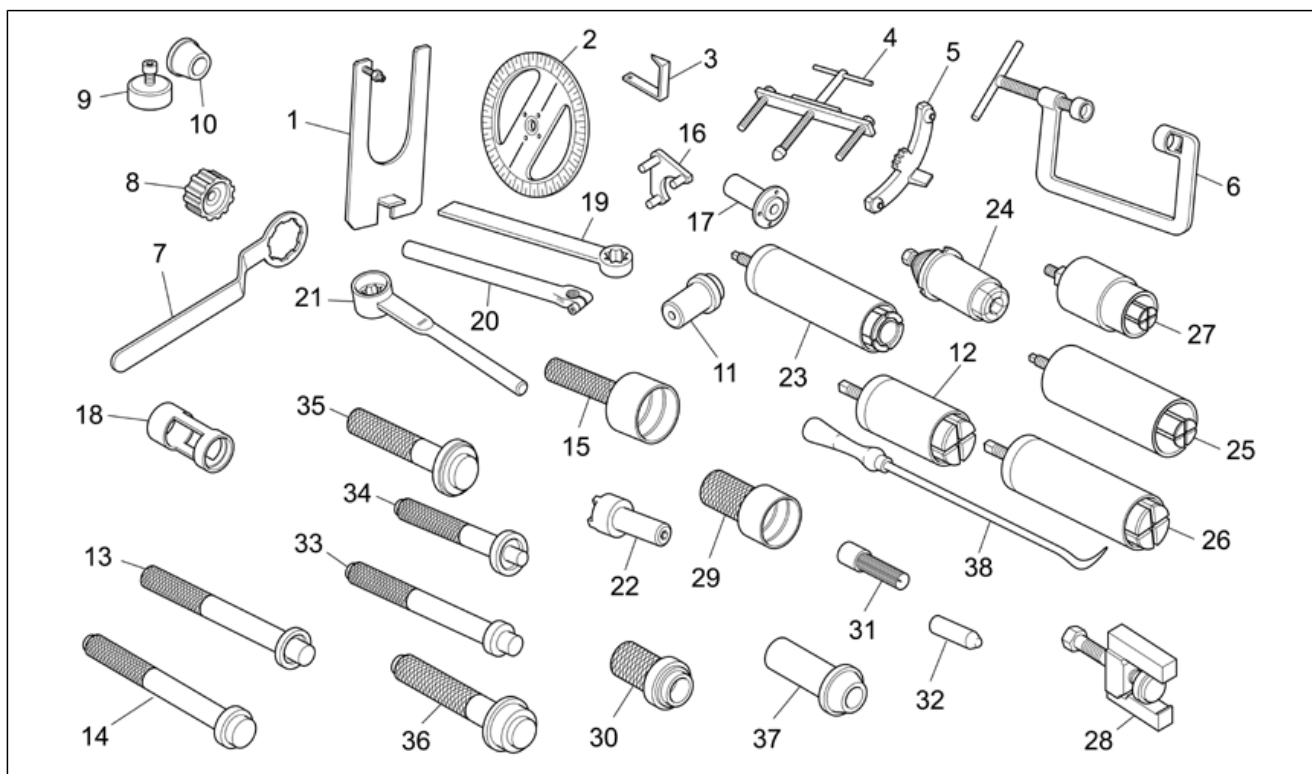
Pos.	Code	Description	Qty	Variants
1	GU03112560	Throttle assy	1	
2	GU01530504	Injector kit complete	2	
3	GU01530500	Potentiometer	1	
4	GU29530562	Tie rod	2	
5	GU30114470	Hose	2	
6	GU93305061	Hose clamp 61/65,5	8	
7	GU03114370	Hose	2	
8	976026	RH manifold	1	
9	976049	LH manifold	1	
10	GU98682325	Hex socket screw M6x25	6	
11	GU14217901	Washer 6,4x10x0,7	6	
12	GU98310609	screw M6x10	2	
13	GU95100116	Washer 6,25x10x1,5	2	
14	GU90706461	O-ring 46,04x3,53	2	
15	GU03113360	RH cover chromium plated	1	
16	GU03113460	LH cover chromium plated	1	
17	GU97202112	screw	4	
18	GU91180408	Spacer 4x6x8	4	
19	GU91551034	Rubber spacer	4	

<b>Group</b>	SPECIAL TOOLS
<b>Code</b>	36.51
<b>Description</b>	Special tools
<b>Service</b>	1



Pos.	Code	Description	Qty	Variants
1	GU14929600	Gearbox housing support	1	
2	GU19929600	Index plate tim.sett./ign.cont	1	
3	GU17947560	Arrow tim.set.ignition control	1	
4	GU12913600	Flange removal flywheel side	1	
5	GU12911801	Lock flywh.starter motor gear	1	
6	GU10907200	Valve removal and fitting	1	
7	GU30912810	Locking clutch internal body	1	
8	GU30906510	Tool for clutch assembly	1	
9	GU14927100	Seal ring onto flange fly.side	1	
10	GU12912000	Flange flywheel side	1	
11	GU14927200	Seal ring onto tim.syst.cover	1	
12	GU12906900	Rollerball bear.trans.housing	1	
13	GU14928900	Punch ransmis.shaft bearing	1	
14	GU14929100	Punch seal front fork sleeve	1	
15	GU19927100	Seal ring flange flywheel side	1	
16	GU14927300	Clamping the camshaft gearing	1	
17	GU65928400	Index plate hub	1	
18	GU12905900	Clutch shaft disass.	1	
19	GU12907100	Transmis.shaft locking tool	1	
20	GU14928700	pre-selector tool	1	
21	GU14905400	Transmission shaft locking	1	
22	GU14912603	Key	1	
23	GU14913100	Roller bearing extractor	1	
24	GU14928500	Int. race extractor	1	
25	GU17949260	Clutch shaft bearing extractor	1	
26	GU17945060	Bearing ext. race extractor	1	
27	GU14907000	Ball bearing extractor	1	
28	GU17948360	Bearing int. race extractor	1	

<b>Group</b>	SPECIAL TOOLS
<b>Code</b>	36.51
<b>Description</b>	Special tools
<b>Service</b>	1



Pos.	Code	Description	Qty	Variants
29	GU17948460	Internal race punch	1	
30	GU17948860	Bearing ext. race punch	1	
31	GU17945460	Internal ring punch	1	
32	GU14928600	Internal ring punch	1	
33	GU14928800	Roller bearing punch	1	
34	GU14929000	Ball bearing punch	1	
35	GU14929400	Oil seal punch	1	
36	GU14929500	Oil seal punch	1	
37	GU17945160	External race punch	1	
38	GU14929300	Control fork positioner	1	