



MOTO GUZZI

PARTS FOR 750 cc CALIFORNIA POLICE ONLY

(2nd edition)

**ADDITIONS TO THE V-750 AMBASSADOR
PARTS CATALOGUE**

2nd EDITION (October 1970)



V 750 cc. CALIFORNIA - ADDITIONS AND CHANGES TO PLATES 1-5-6-7-9-10

REFERENCE TO AMBASSADOR PARTS CATALOGUE - II edition			NEW PLATES FOR CALIFORNIA POLICE			
Plate N.°	Fig. N.°	Order N.°	Fig. N.°	Order N.°	Description	Q.ty
1			10	13029840	Leg protection, on rocker heads	2
5	10	13100220	11	13100240	Tank, fuel	1
5	12	12103900	12	54103901	Filler cap, fuel tank	1
5	31	98054522	13	98054530	Screw, muffler securing	2
5	34	12123020	14	13123040	Muffler, R/H	1
5	35	12122920	14	13122940	Muffler, L/H	1
6	12	12607500	15	13607540	Cable, throttle	1
6	22	12608300	16	13608340	Cable, easy start	1
7	26	12093001	17	13093041	Cable, clutch	1
9	10	12250906	18	13250941	Lever, gearshift	1
9			19	91111520	Bushing, gearshift lever	1
9			20	94020060	Greaser, gearshift lever	1
9			21	95100142	Washer, lever fixing nut	1
9			22	95129250	Washer, shakeproof, lever fixing nut	1
9			23	92630106	Nut, gearshift lever	1
9	13	12251105	24	13251240	Shaft, c/w starter pin lever	1
9	20	12257801	25	13257840	Rod, c/w fork and nut	1
9	19	12257901	26	13257940	Rod, bare	1
9	22	12258201	27	13258240	Lever, starter pin operating	2
9	24	55238200	28	13238240	Spring, lever return	1
9			29	98106021	Screw, lever fixing	2
9			30	13257640	Tie rod, complete	1
9			31	13257740	Tie rod, bare	1
9			32	95740171	Fork, tie rod	3
9			33	92700073	Nut, adjusting on tie rod	1
9			34	95780265	Pin, fork	3
9			35	95129110	Washer, shakeproof, for pins	3
9			36	95500222	Split pin, fork pins	3
9			37	95100173	Washer, tie rod	1
9			38	95500325	Split pin, tie rod	1
10	21	13350200	—	12350201	Drive box, rear, complete	1
10	31	12350300	39	12350301	Drive box, bare	1
10			40	12351501	Bottom plate, rear drive box	1
10			41	12356001	Washer, bottom plate	1
10			42	98622320	Screw, bottom plate securing to drive box	8
10			43	95004208	Washer, botto screws	8
10	45	13354600	44	12354600	Bevel gear	1

TAVOLA 1



TAVOLA 5

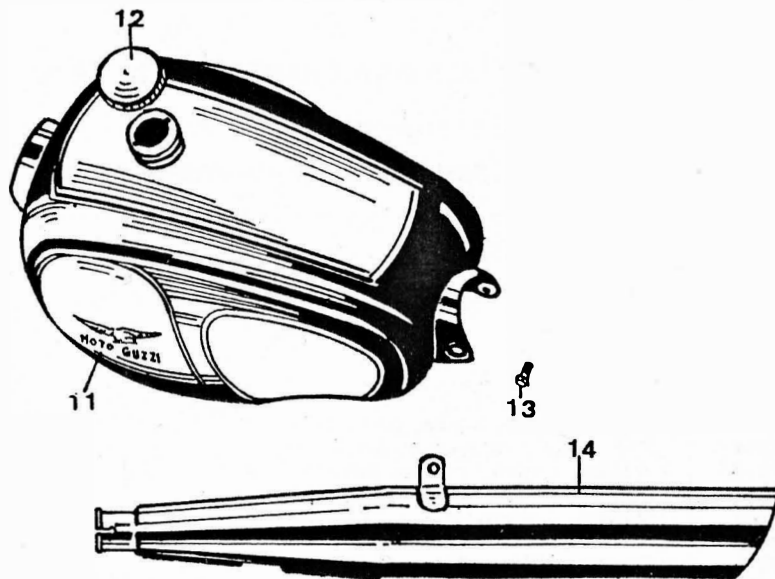


TAVOLA 6

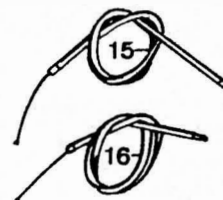


TAVOLA 7

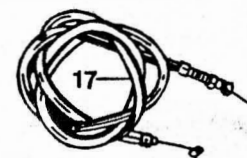


TAVOLA 9

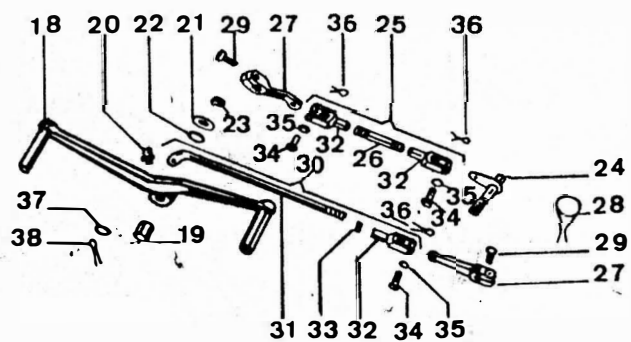
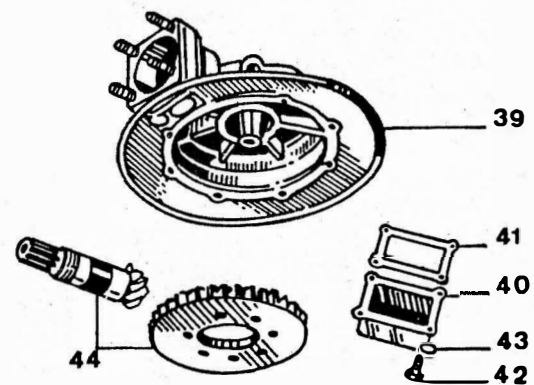


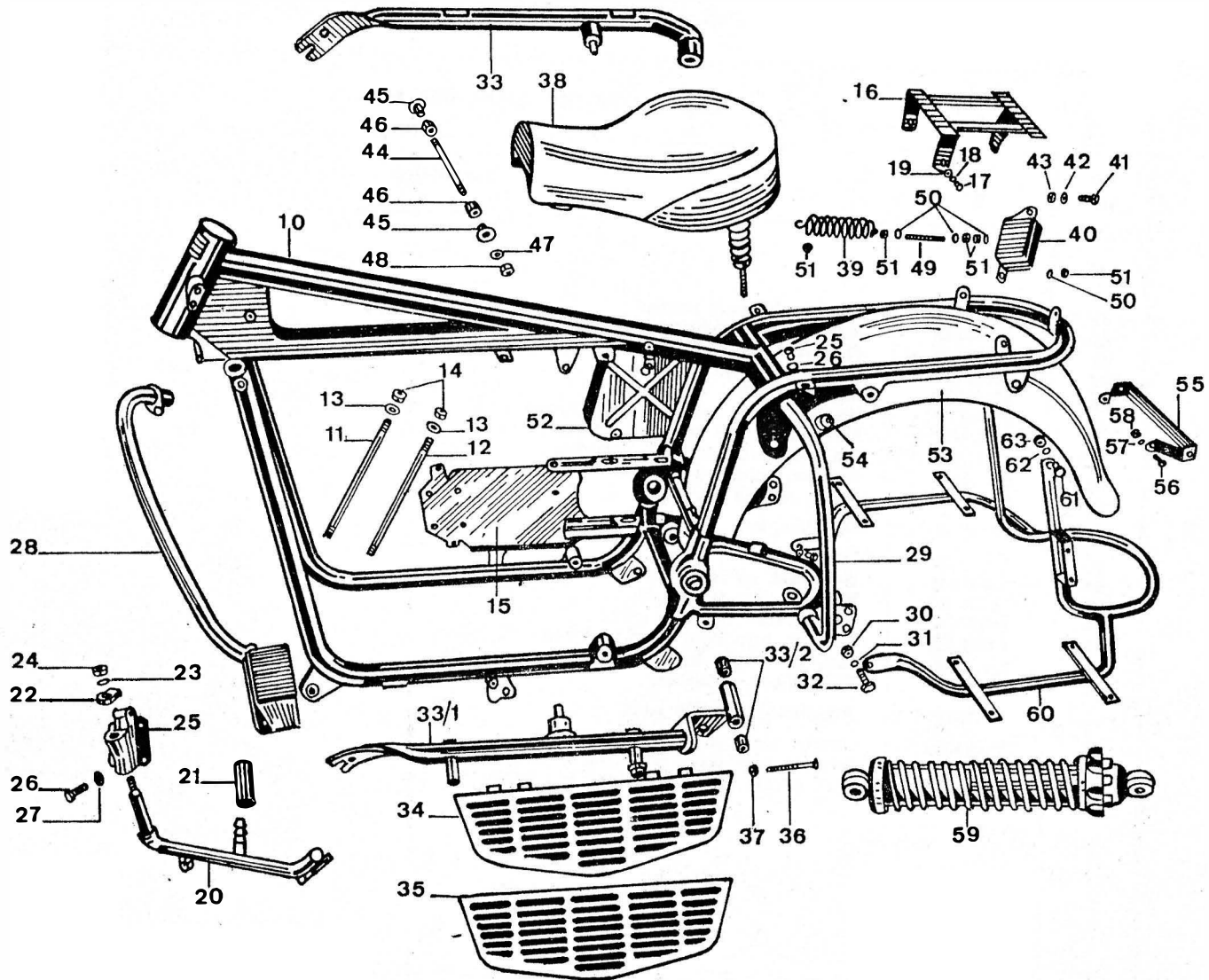
TAVOLA 10





V 750 cc. CALIFORNIA - ADDITIONS AND CHANGES TO PLATE 11

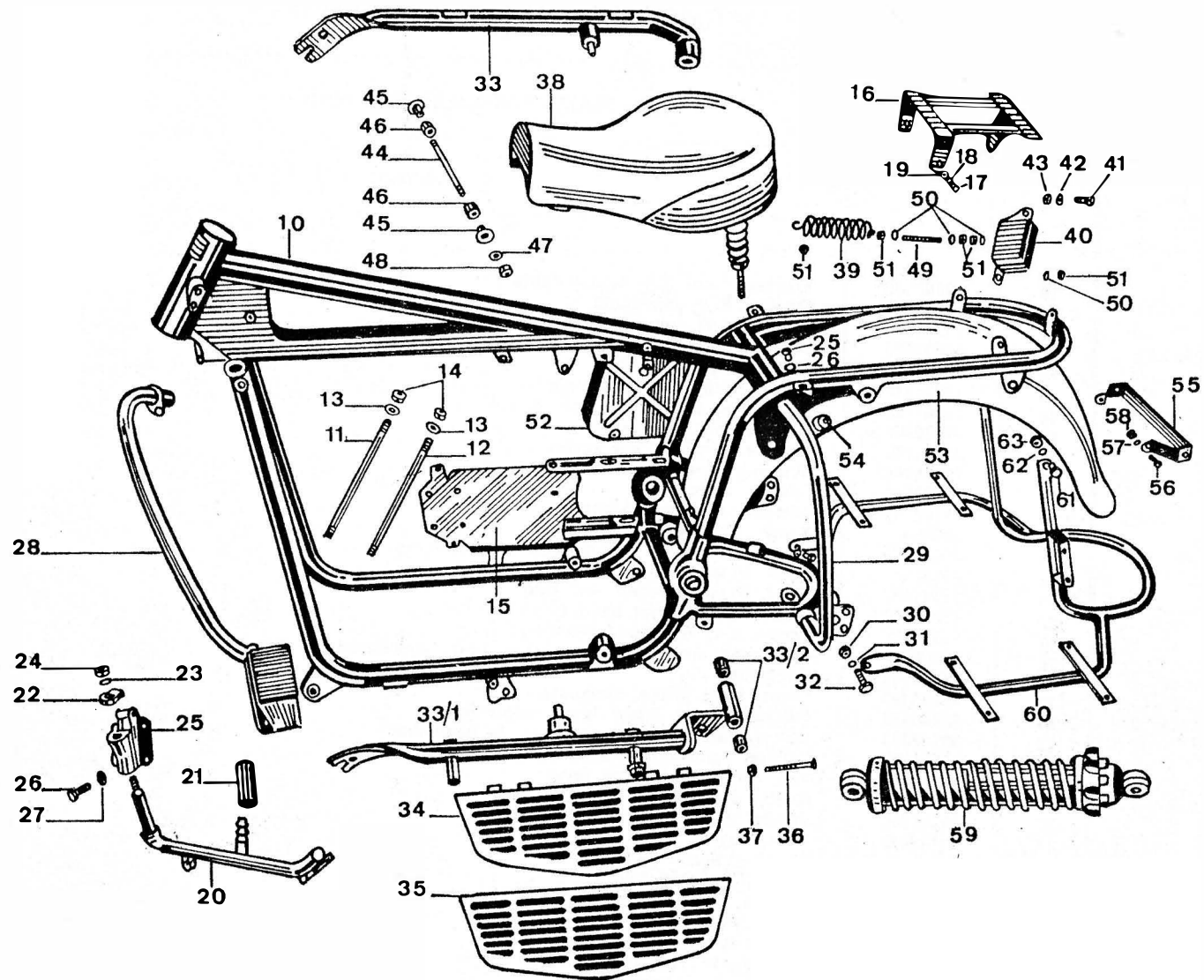
REFERENCE TO AMBASSADOR PARTS CATALOGUE · II edition			NEW PLATES FOR CALIFORNIA POLICE			
Plate N.°	Fig. N.°	Order N.°	Fig. N.°	Order N.°	Description	Q.ty
11	10	12400102	10	13400140	Frame	1
11	15	13429600	11	13429540	Bolt, engine to frame, front	1
11	12	95100415	12	13429640	Bolt, engine to frame, rear	1
11	11	92700128	13	95100415	Washer, engine to frame securing bolts	4
11	21	12418200	14	92700128	Nut, engine to frame securing bolts	4
11			15	13418240	Bracket, battery	1
11			16	13469441	Radio carrier	1
11			17	98054314	Screw, radio carrier	3
11			18	95021106	Washer, radio carrier screws	3
11	32	12432000	19	92602206	Nut, radio carrier screws	3
11			20	13432040	Side stand	1
11			21	13432640	Pedal, side stand	1
11			22	13432740	Lug, side stand	1
11			23	95100311	Washer, side stand fixing nut	1
11			24	92630110	Nut, side stand to supporting block	1
11			25	13433440	Supporting block, side stand	1
11			26	98054414	Screw, supporting block	4
11	52	12450400	27	95021108	Washer, block screws	4
11			28	13450440	Safety bar, front, L/H	1
11			29	13458240	Safety bar, rear, R/H	1
11				13458840	Safety bar, rear L/H	1
11			30	92602210	Nut, top, rear bars securing	4
11			31	95021110	Washer, safety bar top securing nut	4
11			32	98054530	Screw, bottom bars securing	2
11			33	13455140	Bracket, footboard, R/H	1
			33/1	13455240	Bracket, footboard, L/H	1
			33/2	91111417	Bushing, L/H bootboard bracket	2
11			34	13443440	Footboard, with mat	2
11			35	13447040	Mat, footboard	2
11			36	98107035	Screw, footboard	4
11	60	12460502	37	92700073	Nut, footboard securing screw	8
11			38	13460541	Seat	1
11			39	13461943	Spring, seat, R. H.	1
				13462143	Spring, L/H	1
11			40	13462040	Housing, spring, R/H	1
11				13462045	Housing, spring, L/H	1
11			41	98054418	Screw, spring housing	2





V 750 cc. CALIFORNIA - ADDITIONS AND CHANGES TO PLATES 11 - 5A

REFERENCE TO AMBASSADOR PARTS CATALOGUE - II edition			NEW PLATES FOR CALIFORNIA POLICE			
Plate N.º	Fig. N.º	Order N.º	Fig. N.º	Order N.º	Description	Q.ty
11			42	95004208	Washer, housing screw	2
11			43	92602208	Nut, housing and springs securing screws	4
11			44	13462740	Pin, front seat securing	1
11			45	12103500	Bushing, rubber blocks	2
11			46	10462800	Rubber block	2
11			47	95004208	Washer, front seat securing screw	2
11			48	92602200	Nut, front seat securing screw	2
11			49	13463240	Pin, threaded, rear seat securing	2
11			50	95004208	Washer, threaded spindle	8
11			51	92602208	Nut, threaded pin	8
11	55	{ 13476120 }	52	12476001	Tool box, R/H	1
		{ 13476020 }				
11	70	13437020	53	13437040	Fender, rear	1
11			54	91551081	Grommet, on rear fender	2
11			55	13436840	Bracket, rear turn lights	1
11			56	98054312	Screw, turn lights bracket	4
11			57	95000206	Washer, turn light bracket screw	8
11			58	92602206	Nut, turn light bracket screw	4
11	53	12550200	59	13550240	Rear shock absorbers	2
5/A	{ 13	13485000 }	60	13485040	Attachment, saddle bags	1
	{ 14	13486500 }				
5/A			61	98054522	Screw, top saddlebag attachment	2
5/A			62	95100311	Washer saddlebag attachment screw	2
5/A			63	92602210	Nut, saddle bag attachment top screw	2





V 750 cc. CALIFORNIA - ADDITIONS AND CHANGES TO PLATES 12 - 13

REFERENCE TO AMBASSADOR PARTS CATALOGUE - II edition			NEW PLATES FOR CALIFORNIA POLICE			
Plate N.º	Fig. N.º	Order N.º	Fig. N.º	Order N.º	Description	Q.ty
12			10	13506340	Bracket, front turn signal lights	1
12			11	13506840	Bracket, R/H, windsjield	1
12			12	13506940	Bracket, L/H, windshield	1
12	25	98053675	13	98053690	Screw, turn light bracket to clamp	2
12			14	13530140	Steering damper unit	1
12			15	13531640	Lug, bottom yoke to damper	1
12			16	98054425	Screw, lug securing to bottom yoke	1
12			17	95000208	Washer, flat, lug screw	1
12			18	95021108	Washer, toothed, lug screw	1
12			19	13530240	Steering damper	1
12			20	14530800	Spacer, damper	2
12			21	95100142	Washer, steering damper	2
12			22	98052335	Screw, damper securing	2
12			23	95021106	Washer, steering damper and band screw	4
12			24	13531440	Band, inner damper securing	1
12			25	13531040	Band, outer, damper securing	1
12			26	98054316	Screw, short, front band securing	1
12			27	98054320	Screw, long rear band securing	1
12			28	92602206	Nut, rear damper fixing screw, rear, and bands to frame	3
13	11	12600300	29	13600340	Handlebar	1
13	12	12605401	30	12605440	Lever, front brake, complete	1
13	14	12601000	31	12601050	Fulcrum, front brake lever, adjustable	1
13	29	98107017	32	98107028	Screw, carburetor starter lever to handlebar	1
			33	12117950	Spacer, carburetor starter lever	1
13	36	93510311	34	93510317	Pin, carburetor starter lever	1
13	31	12500240	35	13500240	Clamp, handlebar	2
12			36	13606840	Button Ass. V. syren, on handlebar	1
12			37	43605640	Lever, syren	1
12			38	40603700	Fulcrum, syren lever	1
12			39	45604900	Screw, lever to fulcrum	1
12			40	45605000	Washer, lever screw	1
12			41	45605100	Nut, lever screw	1
12			42	45606300	Screw, fulcrum to handlebar	1
12			43	45605300	Bushing, fulcrum to handlebar screw	1
12			44	13606640	Cable, syren control	1
12			45	45605800	Roller, syren cable	1
12			46	13744440	Spring, return	1
12			47	43263325	Rubber pad, syren	1
12			48	13744540	Joining plate, syren cable securing	1

TAVOLA 12

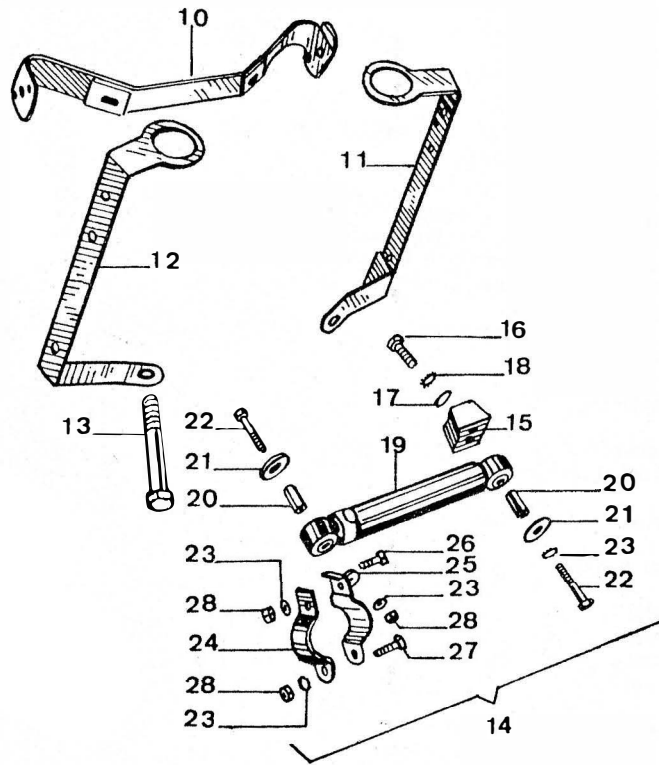
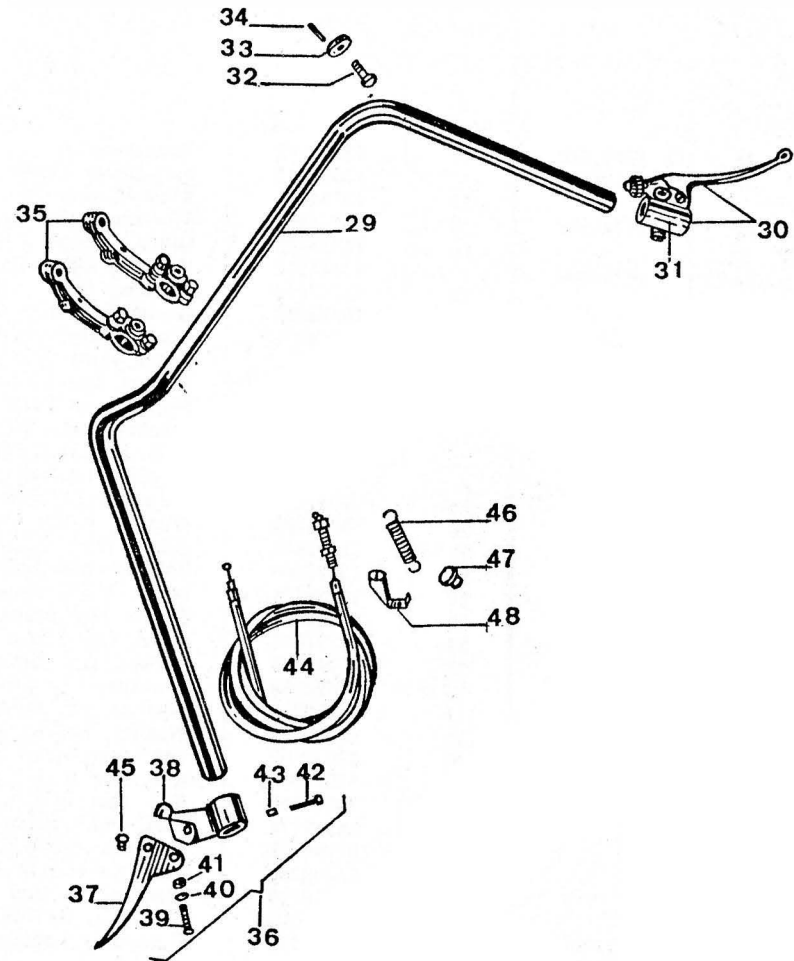


TAVOLA 13





V 750 cc. CALIFORNIA - ADDITIONS AND CHANGES TO PLATES 14-15-16-17

REFERENCE TO AMBASSADOR PARTS CATALOGUE - II edition			NEW PLATES FOR CALIFORNIA POLICE			
Plate N.º	Fig. N.º	Order N.º	Fig. N.º	Order N.º	Description	Q.ty
14	35	12761620	10	13761642	Speedometer	1
14	36	12501500	11	13501541	Instrument panel	1
14			12	13764941	Bracket, instrument panel	2
14	22	10744900	13	10744900	Warning light, amber, neutral	1
14			14	10754900	Glass, orange, neutral indicator	1
14	23	10744902	15	10744902	Warning light, red oil pressure and generator charge	2
14			16	13744943	Warning light, red, front headlamps and high beam	2
14			17	10754902	Glass, red, front red lamps, indicators, high beam, oil pressure	4
14			18	10744901	Warning Light, green, right and left turn lights	2
14			19	10754901	Glass, right and turn lights indicator	2
14			20	12745760	Cutout, courtesy light and coil disconnection	2
14			21	13745740	Switch, rear flash lights, parking	2
14	39	90706076	22	90706076	Washer, indicators (OR 2031)	7
14			23	10744910	Bulb, indicators (12V - 3W)	7
14			24	13502340	Bracket, microphone	1
14			25	98052430	Screw, microphone bracket	2
14			26	95000208	Washer, microphone bracket screw	2
15	27/1	13625420	27	13625440	Cable, front brake	1
16	39	12675405	28	13675440	Spindle, rear brake pedal	1
16			29	12258201	Lever, brake spindle	1
16			30	98106021	Screw, rear brake pedal spindle	1
16	40	12677005	31	13677041	Pedal, rear brake	1
16			32	43262180	Rubb	1
16			33	94020060	Greaser, rear brake pedal	1
16			34	95129250	Washer, shakeproof, brake pedal	1
16			35	95100142	Washer, brake pedal nut	1
16			36	92630106	Nut, rear brake pedal	1
16			37	13675040	Rod, rear brake, complete	1
16			38	13675140	Rod, rear brake, bare	1
16			39	95740171	Fork, rear brake rod	2
16			40	92700073	Nut, rear brake rod	2
16			41	95780265	Bolt, tie rod to lever	2
16			42	95129110	Washer, tie rod bolt	2
16			43	95500222	Split pin, tie rod bolt	2
17			44	13733140	Grounding cable, starter solenoid	1

er, r

TAVOLA 14

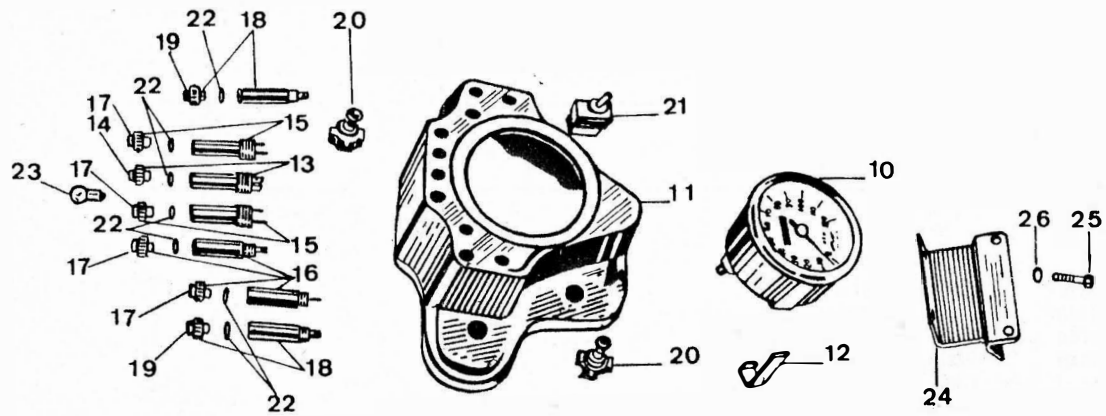


TAVOLA 15

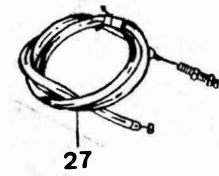


TAVOLA 16

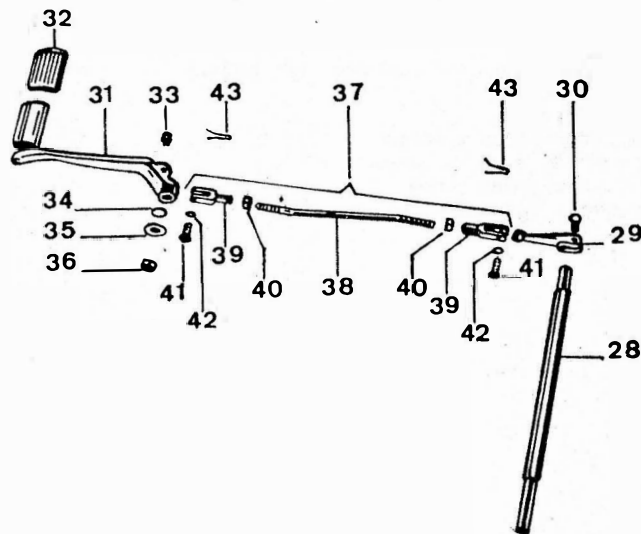
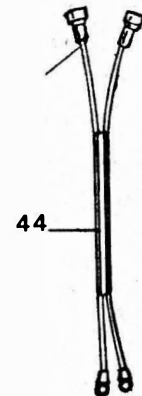


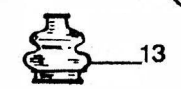
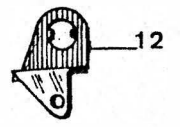
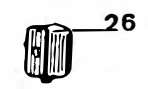
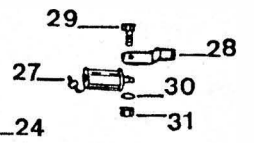
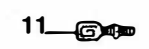
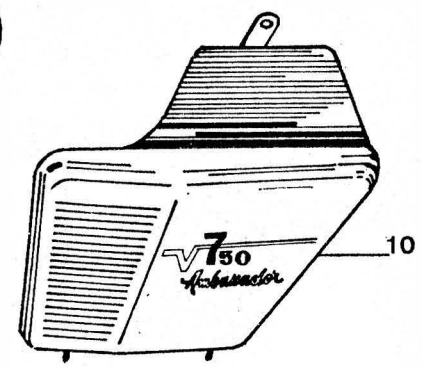
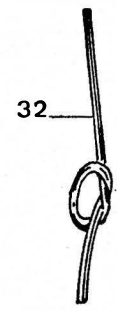
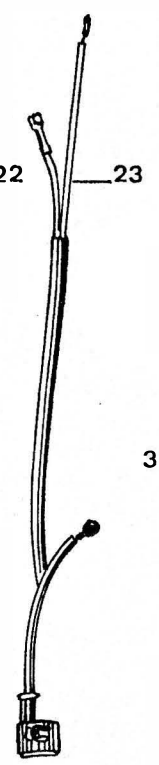
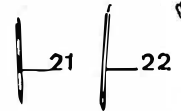
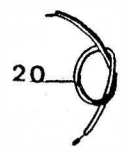
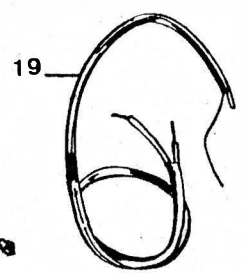
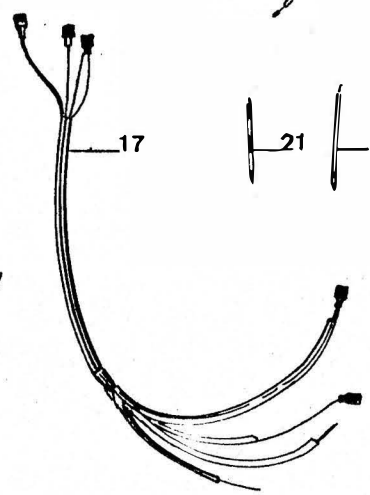
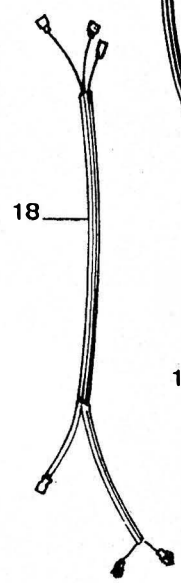
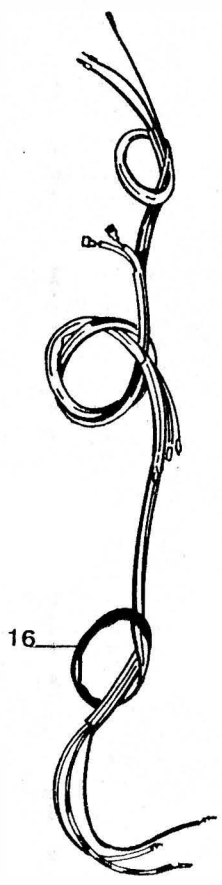
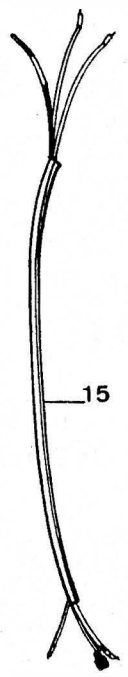
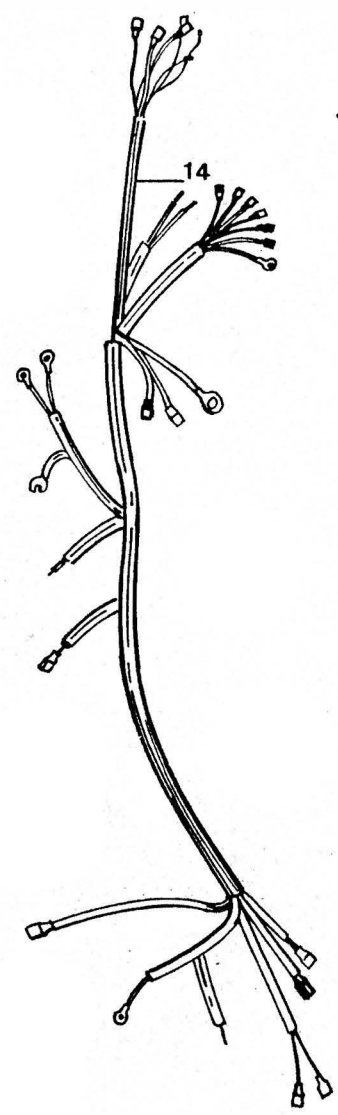
TAVOLA 17






V 750 cc. CALIFORNIA - ADDITIONS AND CHANGES TO PLATE 18

REFERENCE TO AMBASSADOR PARTS CATALOGUE - II edition			NEW PLATES FOR CALIFORNIA POLICE			
Plate N.°	Fig. N.°	Order N.°	Fig. N.°	Order N.°	Description	Q.ty
18	22/1	13705220	10	13705240	Cover, battery, R/H	1
18	24/1	13705420	11	13705440	Cover, battery, L/H	1
18			12	13740740	Bolt, headlight securing	2
18			13	13736440	Plate, switch holder	1
18	42	12747102	14	13735840	Cap, protection	1
18	43	12747200	15	13747144	Cable harness, main	1
18			16	13747241	Cable, instrument panel to headlight	1
18			17	13747641	Cable, switch to fuse	1
18			18	13747841	Cable, terminal board to tail lamp	1
18			19	13748042	Cable, front terminal to indicator light	1
18			20	13748140	Cable, from courtesy light cutout	1
18			21	13748740	Cable, grounding, rear blue light	2
18			22	13748840	Cable, separate fuse to headlight terminal	1
18			23	13749340	Cable, rear blue light to rear terminal	2
18			24	13749441	Cable, battery to regulator	1
18			25	13748920	Cable, two-pole, front stop cutout	1
18			26	13742540	Fuse box	1
18			27	13742242	Switch, turn lights, read front light and radio ground	1
18			28	13741540	Flasher unit, 12V 60 W	1
18			29	13741640	Plate, flasher unit fixing	1
18			30	98054316	Screw, flasher unit securing screw	1
18			31	95000206	Washer, flasher unit securing screw	1
18			32	92602206	Nut, flasher unit securing screw	1
18				13746940	Casing, for cables from the ignition switch	1



		SERVICE	Subject: changes to parts catalogue 2nd Ed.			DEPARTMENT	
		PART DI	Model: Ambassador 750 cc.			Date: December 1970 VISION	
PI	Fig. N°	DESCRIPTION	Before change Order N°	Q.ty	After change Order N°	Q.ty	REMARKS
1	13	Cylinder head L/H	12022200	1	13022200	1	Errata corrige (order n°)
1	48	Screw, intake pipe to cylinder head	98620435	2	98620435	6	Errata corrige (Quantity)
1	53	Cylinder and piston	13060100	1	13060100	2	Errata corrige (Quantity)
3	23	Piston ring set	13060600	2	13060600	2	Errata corrige (Description)
5	12	Filler cap, tank	12105401	2	12103900	1	Errata corrige (Fig. N°)
			12105402				
5	19	Tap, fuel	12103900	1	12105401	2	Errata corrige (Fig. N°)
				12105402			
7	17	Inner body	12086001	1	12086002	1	New part (not interchangeable)
7	18	Cage, complete	12087000	1	12087001	1	New part (not interchangeable)
7	19	Outer body	12086101	1	12086102	1	New part (not interchangeable)
7	20	Seal	90706150	1	90706170	1	New part (not interchangeable)
8	10	Gear box housing	12200201	1	12200201	1	Errata corrige (Description)
8	11	Cover, gear box	12200801	1	12200802	1	New part (not interchangeable)
9	17	Nut, adjusting on rod	92700073	1	92700073	2	Errata corrige (Quantity)
9	45/1	Washer, thrust, circlip to bush	12214600	2	12214600	3	Errata corrige (Quantity)
10	28	Circlip, drive shaft and bevel gears	90271020	3	90271020	3	Errata corrige (Description)
10	50	Shim, 0,9 mm. (.035")	12535402	1	12355402	1	Errata corrige (Order N°)
11	53	Shock absorber unit	12550200	2	12550201	2	Errata corrige (Order N°)
11	54	Spring, shock absorbers	12552300	1	12552301	1	Errata corrige (Order N°)
11	65	Hand grip, machine raising	12464320	1	12464320	2	Errata corrige (Quantity)
11	73	Locks antitheft (including fig. 20 and 55)	12782200	1	12782200	1	Errata corrige (Description)
14	24	Indicator, high beam	13744900	1	13744900	1	Errata corrige (Description)
18	48	Rim, headlight	12700321	1	-	-	Cancelled (see plate 1/A)
18	49	Sealed beam unit	12740421	1	-	-	Cancelled (see plate 1/A)
18	50	Reflex reflector	12741221	1	-	-	Cancelled (see plate 1/A)
1/A	25	Reflex reflector	12141720	1	12741720	1	Errata corrige (Order N°)
6/A	10	Fairing-windscreen assembly with frame attachments (including fig. 21-22-23-24-25-26-27-28-29-30-31-32-33-34-35)	12575121	1	-	-	Cancelled
6/A	11	Fairing complete with fairing and attachments	12575321	1	12575321	1	Errata corrige (Description)
6/A	17	Ring. rubber, gasket clamp	12706800	1	-	-	Cancelled

as from engine N° 18247



SERVICE DEPARTMENT

SPARE PARTS DIVISION

Subject: Change to parts catalogue 2nd edition

Model: Ambassador 750 cc.

Amendment sheet n3

August 1972

Plate n°	Fig. n°	DESCRIPTION	Old order n°	Q.ty	New order n°	Q.ty	REMARKS
8	10	Gearbox housing	12200201	1	12200200	1	Modified part
8	11	Cover, gearbox	12200801	1	12200802	1	Modified part
8	13	Bearing in gearbox for clutch shaft (13 x 35 x 15 Durkopp 10- 2762)	92256217	1	92256218	1	New part
9	51	High gear complete with bushing	12215101	1	12215102	1	New part
9	52	Bushing, high speed gear	12215301	1	12215302	1	New part
10	21	Rear wheel drive, complete	13350200	1	13350201	1	New part
10	31	Rear drive casing	12350300	1	12350301	1	New part
10		Bottom plate			12351501	1	New part
10		Washer, bottom plate			12351601	1	New part
10		Screw, bottom plate			98622320	1	New part
11	20	Lock, antitheft, with key on steering column	12782580	1			Cancelled
11	53	Shock absorber unit	12550200	2	12550240	2	New part
11	54	Spring, shock absorbers	12552300	2	12552301	2	New part
13	12	Lever, front brake, complete	12605401	1	13605445	1	New parts. All earlier parts have been definitely cancelled. When passing orders request complete brake lever 13605445 or clutch lever 12605505.
13	13	Lever, front brake, bare	55605600	1	12605605	1	
13	14	Fulcrum, front brake lever	12601000	1	13601045	1	
13	21	Lever, clutch, complete	12605500	1	12605505	1	
13	22	Lever, clutch, bare	55605700	1	12605705	1	
13	23	Fulcrum, clutch lever	12601900	1	12601905	1	
		Shim, hub adjusting 1 mm. (.039")			12615800	1	
		Shim, hub adjusting 1.1 mm. (.043")			12615801	1	quired
		Shim, hub adjusting 1.2 mm. (.047")			12615802	1	"
15	42	Shim, hub adjusting 1.3 mm. (.051")	95100715	1	12615803	1	"
		Shim, hub adjusting 1.4 mm. (.055")			12615804	1	"
		Shim, hub adjusting 1.5 mm. (.059")			12615805	1	"
		Shim, hub adjusting 2 mm. (.078")			12615820	1	"



SERVICE DEPARTMENT

SPARE PARTS DIVISION

Subject: Change to parts catalogue

Model: Ambassador 750 cc, c,

Amendment sheet n3

August 1972

Plate n°	Fig. n°	DESCRIPTION	Old order n°	Q.ty	New order n°	Q.ty	REMARKS
16	54 55	Shim, hub adjusting 1 mm. (.039")			12615800	as re-	New part
		Shim, hub adjusting 1.1 mm. (.043")	95100715	2	12615801	quired	New part
		Shim, hub adjusting 1.2 mm. (.047")	95100727	6-2	12615802	"	New part
		Shim, hub adjusting 1.3 mm. (.051")			12615803	"	New part
		Shim, hub adjusting 1.4 mm. (.055")			12615804	"	New part
		Shim, hub adjusting 1.5 mm. (.059")			12615805	"	New part
		Shim, hub adjusting 2 mm. (.078")			12615820	"	New part
16	56	Spacer, hub bearings	95100727		12634000	1	New part