
7
700^{cc}

**spare
parts
catalogue**



S H E L L ^{XL} MOTOR OIL
CATENE REGINA

SEIMM

SOCIETÀ ESERCIZIO INDUSTRIE MOTO MECCANICHE S.p.A.

Capitale sociale sottoscritto: L. 495.000.000

Sede legale: Milano

Galleria de Cristoforis, 3 - Telefono 700965

Direzione e Stabilimenti: 22054 Mandello del Lario (Co)

Telefono: 71112 (4 linee urbane)

Telegrammi: SEIMM MANDELLOLARIO



MOTO GUZZI

700 cc. V-7 TWIN

SPARE PARTS CATALOGUE

MAY 1968 - II nd EDITION

CONDITIONS OF SALE

- SALES — All spare parts supplies are subject to goods availability at the time the order is received.
- PRICES — All prices appearing in the official price list are net ex-factory prices. Any tax or charge inherent to the buying and selling transaction shall be entirely on the buyers.
- DELIVERY AND SHIPMENT — Moto Guzzi shall not be held liable for any delayed delivery. Any indicated time is only informative and not binding. All goods travel at buyers' risk, including C.O.D. deliveries.
- DISTRIBUTORS — Any order obtained by the Distributor shall not be binding on Moto Guzzi who reserves the right to decide its execution or not.
- CLAIMS — Any claim for parts received in a damaged condition, not corresponding to the order, or short supplied is to be made within 8 days from the receipt of such parts.
- LIABILITY — Moto Guzzi shall not be held responsible for any damages to persons or property arising out from the use of its products, even if such damages be caused by structural or machining defects of the material supplied.

HOW TO ORDER

All orders should contain the following information:

- Transport means required
- Engine number of machine
- Description of part and part number
- Quantity

All original Moto Guzzi parts are stamped with the registered trade mark and may be obtained from the general distributors or the officially appointed Moto Guzzi dealers.



Fig. 1 - Left view



Fig. 2 - Right view

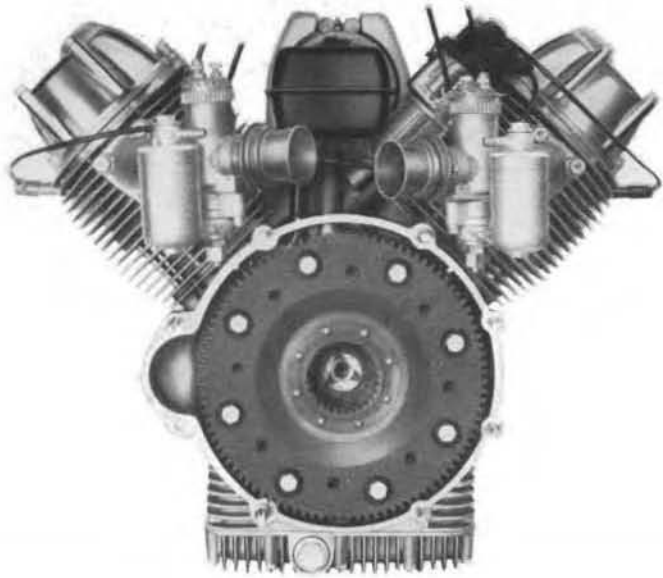


Fig. 3 - Engine

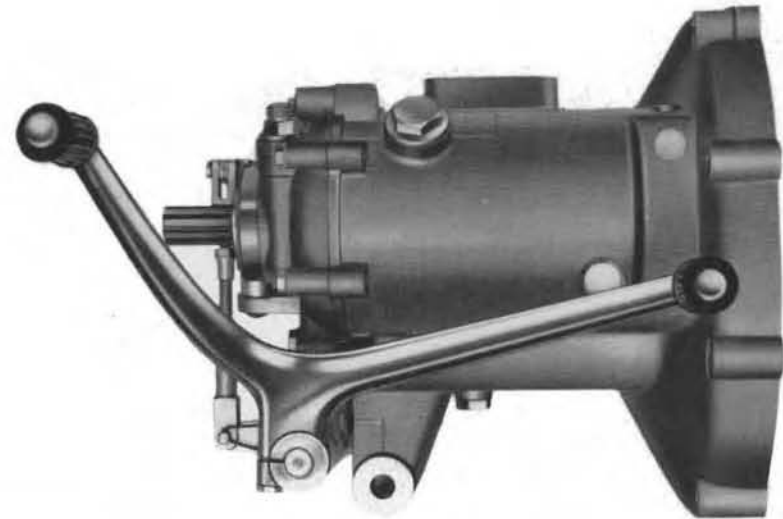


Fig. 4 - Gear box

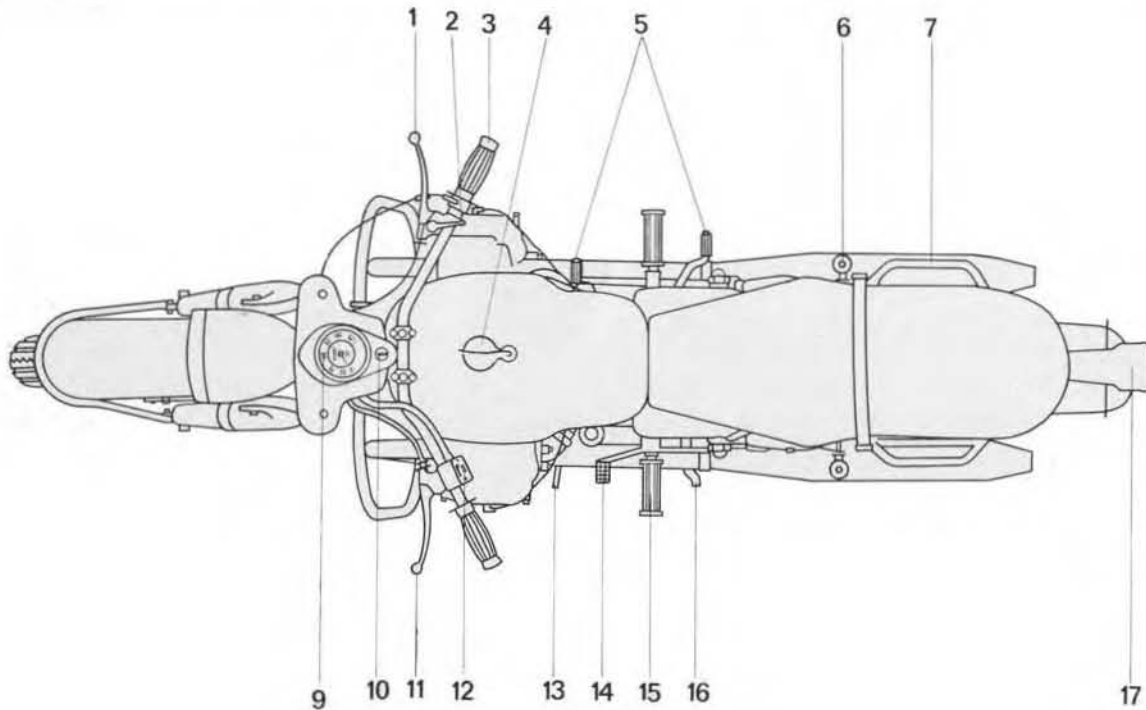


Fig. 5

CONTROLS AND ACCESSORIES

- 1 - Front brake lever
- 2 - Air control lever
- 3 - Throttle control grip
- 4 - Fuel filler cap
- 5 - Gearshift lever
- 6 - Pillion footrests
- 7 - Pillion handgrip
- 8 - Headlight
- 9 - Speedometer and lighted indicators
- 10 - Key type ignition switch
- 11 - Clutch lever
- 12 - Dipper switch and horn button
- 13 - Side stand
- 14 - Rear brake pedal
- 15 - Footrests
- 16 - Center stand
- 17 - Tail lamp

TECHNICAL SPECIFICATION

ENGINE

704 cc. OVH twin, air cooled, alloy barrels with hard chrome lining, light alloy hemispherical heads, steel con-rods with thin wall bearings, anti-friction main bearings (as used in all F 1 Race cars).

BORE: 80 mm.

STROKE: 70 mm.

BRAKE HORSEPOWER: 50 HP SAE at 6000 r.p.m.

COMPRESSION RATIO: 9 to 1.

FUEL TANK CAPACITY: 4 $\frac{1}{2}$ US gallons.

LUBRICATION: wet sump, gear type oil pressure pump.

CLUTCH: twin plate dry clutch with cushion drive.

SUSPENSION: telescopic front fork with two-way hydraulic suspension. Rear swinging arm with hydraulically damped 3-way adjustable shock absorbers.

DRIVE: shaft drive with dual bevel-gear to the rear wheel.

FRAME: duplex tubular structure. Center and side stands.

BRAKES: large diameter twin leading shoes front brake. Single LS rear brake.

WHEELS: 18" alloy rims.

TIRES: 4.00 x 18" front and rear.

SEAT: large dual seat with chrome hand rail and safety bars.

SPEEDOMETER: Borletti car type speedo instrument (oil pressure gauge, neutral indicator, and charge indicator).

ELECTRICAL SYSTEM: 12 V - 300 W battery powered system. 6" 45/40 W headlight, Electrical starter.

INDEX TO PLATES

MODEL	MAIN GROUP	SUB-ASSEMBLY	PLATE No.
V-7 twin	ENGINE	Cylinders - Cylinder heads - Rocker boxes - Rocker assemblies - Valves	1
		Crankcase and covers	2
		Crankshaft - Connecting rods - Pistons - Timing gears	3
		Oil pump - Oil lines - Filter - Breather unit - Oil pressure solenoid	4
		Fuel tank - Exhaust pipes - Mufflers	5
		Carburetor - Control cables - Air cleaner	6
	PRIMARY DRIVE	Clutch and controls	7
		Gear box and covers	8
		Gear box - Shafts - Controls	9
	REAR WHEEL DRIVE	Rear fork - Drive box - Drive shaft and bevel gears	10
	FRAME	Frame - Center stand - Side stand - Footrest pivot - Pillion footrests - Rear fender	11
	FRONT SUSPENSION STEERING	Steering - Front fork - Front fender	12
	STEERING	Handlebar and controls	13
	WHEELS BRAKES	Front wheel - Wheel hub - Front brake and controls	14
		Rear wheel - Hub - Rear brake and controls	15
	ELECTRICAL EQUIPMENT	Ignition and lighting	16
	TOOLS	Tool kit - gasket set - seal set	17
	ELECTRICAL EQUIPMENT BREAKDOWN	Starter motor	18
		Generator	19
		Distributor	20
		Electric horn	21
		Head and tail light	22
	POLICE ACCESSORIES	Windscreen, fairing, syrens, sidestand, footrests, pillion boxes	23
			24

NUMERICAL INDEX

Order No.	Plate No.	Figure No.	Order No.	Plate No.	Figure No.	Order No.	Plate No.	Figure No.	Order No.	Plate No.	Figure No.	Order No.	Plate No.	Figure No.	Order No.	Plate No.	Figure No.
11500700	13	32	12023700	1	11	12082300	7	13	12152600	4	39	12235300	8	39/1	12433000	11	27
11745401	23	45	12025400	1	47	12082800	7	14	12153000	4	38	12236800	9	23	12433640	23	14
12000700	2	10	12025700	1	22	12082900	7	11	12153200	4	42	12237900	9	28	12434000	11	26
12001200	2	29	12030200	1	23	12084101	7	10	12153600	4	45	12238000	9	28/1	12434200	11	32
12001400	2	24	12030400	1	27	12084400	7	12	12155700	4	50	12238501	9	25	12434300	12	50
12001600	2	30	12031800	1	25	12085701	7	15	12157400	4	51	12250900	9	10	12435700	12	52
12003500	2	34	12034001	1	21	12085901	7	16	12157500	4	41	12251100	9	13	12435900	12	53
12003600	2	35	12034800	1	19	12086001	7	17	12157600	4	49	12257800	9	20	12437000	11	62
	2	36	12036000	1	14	12086101	7	19	12157800	4	52	12257900	9	19	12440200	11	34
12003700	8	37	12036100	1	18	12087000	7	18	12158400	4	18	12258200	9	22	12440240	23	10
	10	32	12036800	1	17	12090200	7	21	12159000	4	22	12326300	10	26	12442300	11	39
12004900	2	38	12037000	1	16	12090401	7	22	12159100	4	19	12327700	10	27	12443200	11	35
12006200	4	14	12037400	1	15	12093000	7	25	12159200	4	21	12328000	10	25	12450300	11	40
	4	15	12038000	1	15	12100200	5	10	12200200	8	10	12350200	10	21	12450340	24	18
12006500	7	26	12038100	1	42	12105400	5	19	12200700	8	14	12350300	10	31	12450400	11	41
	4	16	12045001	3	35	12106500	5	19/1	12200800	8	11	12350400	10	48	12450440	24	19
12006600	4	10	12045800	3	41	12106600	5	20	12201000	8	24	12350700	10	49	12450400	11	41
12007200	4	11	12045801	3	36	12108400	4	41/1	12201100	8	18	12351100	10	57	12450440	24	19
12007600	4	11	12045802	3	36	12112400	6	10	12201400	8	25	12351300	10	59	12451340	23	11
12011400			12053302	3	35	12112401	6	10	12201500	8	26	12351400	10	55	12453340	24	10
12011401			12054000	3	36	12113200	6	68	12202000	9	33	12352100	10	47	12456140	24	11
12011402	2	20	12054501	3	39	12113400	6	70	12202200	8	32	12352400	10	39	12457440	24	12
12011403			12060200	3	18/1	12113600	6	69	12207700	8	33	12352600	10	40	12460500	11	51
12011404			12060400	3	18	12114300	6	75	12210501	9	36	12352900	10	41	12460540	24	20
12011700	2	40	12060600	3	21/1	12114400	6	11	12210701	9	53	12354600	10	45	12461600	11	52
12011800	2	22	12060700	3	19	12115001	1	45	12210701	9	53	12354600	10	45	12464300	11	57
12011900			12060800	3	20	12115501	1	46	12211000	9	37	12355100	10	42	12464340	24	21
12011901			12060900	3	21	12117000	6	23	12211101	9	60	12355200	10	43	12466540	24	23
12011902	2	16	12061200	3	22	12117500	6	24	12211200	9	59	12355300	10	44	12468500	11	60
12011903			12061500	3	12	12118000	13	27	12211500	9	58	12355400			12468600	11	61
12011904			12062000			12120200	5	28	12211600	9	57	12355402			12474920	16	77
12012100	2	18	12062001			12120900	5	25	12211700	9	56	12355404	10	50	12476000	11	44
12012200	2	39	12062002	3	17	12120905	5	26	12213600	9	38	12355406			12482540	24	24
12012800	2	23	12062003			12122920	5	37	12214001	9	43	12355408			12483440	24	26
12012900	2	19	12062004			12123020	5	36	12214300	9	42	12355410			12483840	24	25
12018900	2	32	12062200	3	16	12123400	5	30	12214401	9	47	12355410			12485040	24	27
12020200	1	33	12062300	3	15	12123900	5	29	12214600	9	44/1	12356300	10	52	12490221	12	10
12020800	1	34	12064200	3	10	12146200	4	27	12214701	9	49	12356400	10	53	12492300	12	21
12021600	1	39	12065400	3	11	12147700	4	30	12215101	9	51	12400101	11	10	12492700	12	20
12021700	1	35	12067000	3	29	12147800	4	28	12215301	9	52	12418200	11	16	12493001	12	19
12021800	1	38	12067600	3	30	12148500	4	29	12215400	9	52/1	12429600	11	15	12494100	12	25
12021900	1	41	12067700	3	31	12149800	4	36	12215500	9	41	12429700	11	13	12494201	12	27
12022000	1	32	12067900	3	32	12150700	4	24	12230500	9	35	12429800	11	14	12494500	12	23
	1	13	12072000	3	24	12150900	4	26	12230701	9	46	12430300	11	22	12496121	12	31
12022100			12074000	3	26	12152200	4	37	12231501	9	50	12432000	11	28	12496221	12	32
12022200			12081801	9	55				12232400	9	34	12432060	23	12	12498000	12	30/1
12023501	1	10							12234300	9	31	12432800	11	29	12500200	13	29
									12234400	9	26	12432840	23	13	12500240	23	36

NUMERICAL INDEX

Order No.	Plate No.	Figure No.	Order No.	Plate No.	Figure No.	Order No.	Plate No.	Figure No.	Order No.	Plate No.	Figure No.	Order No.	Plate No.	Figure No.	Order No.	Plate No.	Figure No.
12501500	12	11	12610200	14	10				12700200	16	10	12703000	16	51	12715440	20	29
12504500	12	16	12610300	14	11					19	—	12715441	16	24	12715441	20	30
12504600	12	18		14	12	12700212	19	15	12703801	19	—	12715442					
12522500	12	40	12610800	15	12	12700214	19	3		19	—	12715443	20	31			
12522600	12	41		14	13	12700216	19	5	12703802	19	40						
12525400	12	37	12611500	15	13	12700217	19	4	12703804	19	42	12715444	20	32	12730763	18	37
12525800	12	39		14	13	12700218	19	24	12704100	16	25	12715445	20	33	12730764	18	36
12525900	12	38	12613200	14	14	12700219	19	2	12704200	16	40	12715446	20	34	12730765	18	39
12526600	12	34	12614100	14	17	12700223	19	1	12704601	16	57	12715700	16	30	12730772	18	26
12526700	12	45		14	40	12700224	19	32	12705200	16	61	12715900	16	31	12730778	18	27
12527200			12615200	15	48	12700225	19	14	12705400	16	62	12716200	16	34	12735300	16	71
12527201				14	43	12700226	19	9	12705500	16	58	12716500	16	38	12735400	16	73
12527202	12	44	12615300	14	18	12700227	19	27	12705600	16	55	12717400	16	45	12735500	16	74
12527203			12620200	14	18	12700228	19	7	12706600	16	65	12717600	16	42	12735750	16	A
12527204			12620800	14	19	12700231	19	13	12706800	16	67	12717800	16	41	12739920	22	25
				14	21	12700236	19	31		23	23/1	12718300	16	44	12740320	22	14
12527600	12	33	12620900	15	22	12700237	19	39	12715400	16	33	12718500	16	46	12740321	22	11
12527700	12	35		14	20	12700238	19	38		20	—	12719300	16	48	12740406	22	20
12540200	10	10	12621400	15	21	12700239	19	11	12715410	20	1		16	49	12740407	22	21
12547000	10	16		14	38	12700241	19	29	12715411	20	2	12730700	18	—	12740409	22	23
12547200	10	15	12621500	14	27	12700242	19	34	12715412	20	3		18	1	12740420	22	13
12547800	10	13		14	32	12700243	19	8	12715413	20	4	12730711	18	3	12740421	22	19
12548000	10	22	12622500	15	27	12700244	19	33	12715414	20	5	12730713	18	3			
12548201	10	23		14	24	12700245	19	37	12715415			12730715	18	19	12740520	16	75
12548401	10	24	12623200	14	24	12700246	19	28	12715416	20	6	12730716	18	7			
12550200	11	42	12625000	14	29	12700247	19	22	12715417			12730717	18	6	12740725	21	17
12552300	11	43	12625300	14	28	12700248	19	26				12730721	18	11	12740740	23	38/1
12555200	11	63	12625400	14	27/1	12700249	19	25	12715418	20	7		18	18	12740920	22	24
12575320	23	18	12626600	14	31				12715419	20	8		18	40	12741720	22	26
12575420	23	19	12626700	14	32	12700251	19	16	12715420	20	9	12730723	19	35	12741721	22	27
12575540	23	27	12626800	14	33				12715421	20	10		19	41	12741722	22	28
12577250	23	20	12630200	15	10	12700253	19	17	12715423	20	12		20	19	12741723	22	29
12577840	23	29	12630500	15	11	12700254	19	19	12715424	20	13		18	20	12741724	22	30
12577940	23	21	12633000	15	14	12700255	19	18	12715425	20	14	12730726	18	20	12741725	22	31
12578240	23	22	12633200	15	46	12700256	19	20	12715426	20	15	12730730	18	8	12741726	22	32
12578450	23	23	12633300	15	17	12700257	19	21	12715427	20	16	12730735	18	9	12741727	22	33
12578640	23	23	12634000	15	51	12700258	19	23	12715428	20	17	12730736	18	33	12741728	22	34
12578920	23	38	12634100	15	18	12700259	19	6	12715429	20	18	12730740	18	38	12742500	22	18
12600100	13	10	12635200	15	19	12700260	19	10	12715430	20	20	12730741	18	12	12743020	22	16
12600300	13	11	12636200	15	25	12700300	16	11	12715431	20	21	12730742	18	15	12743021	22	17
12601000	13	14	12636600	15	28	12700600	16	20	12715432	20	22	12730746	18	17			
12601900	13	23	12637400	15	20	12700605	16	21	12715433	20	23	12730747	18	31	12743700	16	69
12605400	13	12	12638100	14	23	12700700	16	14	12715434	20	24	12730749	18	21			
12605500	13	21	12638200	15	24	12700735	19	43	12715435	20	24/1	12730751	18	23	12743710	21	2
12605500	13	21	12639600	15	33	12700746	19	36	12715436	20	25	12730754	18	5			
12607500	6	12	12676000	15	39	12700900	16	18	12715437	26	26	12730755	18	24	12743711	21	4
12607900	6	13	12676500	15	40	12702500	16	29	12715438	20	27	12730756	18	25			
12608300	6	22	12677000	15	41	12702900	16	52	12715439	20	28	12730757	18	28	12743712	21	2
															12743713	21	3

NUMERICAL INDEX

Order No.	Plate No.	Figure No.	Order No.	Plate No.	Figure No.	Order No.	Plate No.	Figure No.	Order No.	Plate No.	Figure No.	Order No.	Plate No.	Figure No.	Order No.	Plate No.	Figure No.
12743714	21	5	12932100	6	52	25730743	18	13	55741100	16	81						
12743715	21	6	12932400	6	54	25730744	18	14	55749185	16	80	90714195	2	37	92602406	12	57
12743716	21	7	12933000	6	50	25730745	18	16	55900400	17	13		8	38		13	17
12743717	21	8	12933100	6	49	25730748	18	32	55901900	17	10	90716082	10	33	92602508	1	26
12743718	21	9	12933200	6	51	25730751	18	35	55902400	17	15	90718375	1	43	92605008	10	20/1
12743719	21	10	12933700	6	46	25730758	18	29	55905000	17	19	91111511	5	27	92608205	15	43
12743720	21	11	12933900	6	48	25730771	18	30				91112124	1	24	92608205	8	34
12743721	21	12	12934600	6	59	25902000	17	16	55919425	5	10/1	91122714	3	13	92630110	11	23
12743722	21	13	12934900	6	55	25902100	17	14	55919525			91122720	9	44		16	84
12743723	21	14	12935000	6	31	25905500	17	17	55932585	6	53	91180707	23	40	92700050	18	85
12743724	21	15	12935100	6	30	25905600	17	18	55934085	6	58	91181015	11	58		23	26
12743726	21	18	12935200	6	29	26706700	16	56	55934785	6	57	91551081	16	68	92700071	5	17
12743727	21	19	12935300	6	26	26267200	9	29	55934985	6	56	91551091	12	30/2		6	21
12743728	21	20	12935400	6	27		6	27	55938585	6	33	91701232	4	31	92700073	9	17
12743729	21	21	12935500	6	62	40917800	11	24	90118152	1	28	91702355	3	25	92700122	8	30
12743740	23	41	12935600	6	25		12	51	90118247	9	37/1	92201070	10	54	92700124	12	30
12744240			12935700	6	60	43749075	23	47	90271020	10	28	92201120	8	19	92700171	14	15
12744245	23	42	12935800	6	28	45212400	23	30	90271025	9	54	92201220	8	15		15	15
12746020	16	76	12935900	6	64	45717600	16	43	90271027	9	45	92201222	8	20	92701086	4	33
12747100			12936000	6	65	55103425	5	15	90272058	10	29	92201225	8	12	92701139	12	14
12747200			12936200	6	66	55103525	5	14	90280005	16	66	92204228	10	30	92701148	15	27
12747320			12936300	6	67	55103900			90351037	3	23		14	41	92701187	3	27
12747420	16	85	12937000	6	36	55104000			90353046	12	43	92246922	15	49	92701252	12	26
12747500			12937100	6	32	55104600			90402535	8	17	92249216	10	18	92720200	10	14
12747700			12937200	6	39	55104700	5	11	90403040	10	17		10	38	92750082	3	14
12747900			12927300	6	40	55104800				14	39	92249225	12	24	92750102	11	64
12748740			12937400	6	41	55104900			90403249	15	47		12	24	92751103	1	37
12748940	23	46	12937500	6	34	55105000						92254340	10	56	93450224	16	79
			12937600	6	42				90403547	8	21	92256217	8	13	93601022	9	39
12749400	12	65	12937700	6	35	55127025	5	35	90403550	12	36	90600003	23	49		10	36
	16	50	12937800	6	43	55234700	8	42					6	74	93601026	12	22
12760400	8	44	12937900	6	44	55236400	9	27	90403850	2	25		11	50	93760072	13	19
12761620	8	43	12938000	6	45	55237800	8	29		10	58	92602206	14	34	94321049	9	30
12762500	8	45	12938600	6	37	55238200	9	24	90405368	2	21		16	60	94321063	8	41
12763300	8	46	12938700	6	38	55251000	9	11	90407085	10	51		23	32	94321070	4	25
12766100	8	47	12938800	6	61	55434825	12	56	90706119	1	40		24	17	94322215	1	29
12768620	22	15	12938900	6	63	55436525	12	62	90706150	7	20		2	15	95000205	25	25
12768700	4	48	12999000	17	A	55445800	24	22	90706222	12	17		6	19		1	31
12807000	6	15	12999500	17	B	55478500	11	45	90706250	16	72	92602208	11	30		3	38
12807100	6	14	25704500	16	54	55478600	11	46		10	40/1		12	61		4	13
12807200	6	16	25707100	16	53	55551600	11	54	90706490	12	42		16	28		5	24
12900800	17	12	25730712			55603000	13	26		12	49		23	17		6	72
12901000	17	11	25730715	18	2	55603400	13	25	90714051	4	48		5	32	95021106	12	64
12901100	17	20				55603500	13	24	90714082	8	40		11	36		13	16
12912700	17	22	25730715	18	4	55605600	13	13	90714101	10	35	92602210	14	26		16	23
12914500	17	21	25730728	18	10	55605700	13	22					15	30		23	44
12917800	16	63				55717000	16	47	90714123	5	18		24	30		23	35
12932000	6	47	25730739	19	12	55740328	22	12	90714124	4	17	92602312	11	11		24	31

ILLUSTRATED PLATES

PLATE 1 MODEL: V-7 twin
Engine

GROUP: Cylinders - Cylinder heads - Rocker
boxes - Rocker Assemblies - Valves

Fig. No.	Order No.	DESCRIPTION	Quantity	Notes
10	12 02 35 01	Cover, rocker box	2	
11	12 02 37 00	Gasket, rocker box	2	
12	98 62 03 65	Screw, rocker cover	16	
13	12 02 21 00	Cylinder head, R/H	1	
	12 02 22 00	Cylinder head, L/H	1	
14	12 03 68 00	Guide, inlet and exhaust valves	4	
15	12 03 81 00	Semicones, valves	8	
16	12 03 80 00	Top collars, valves	4	
17	12 03 74 00	Spring, valves	4	
18	12 03 70 00	Bottom collars, valves	4	
19	12 03 60 00	Inlet valve	2	
20	12 03 61 00	Exhaust valve	2	
21	12 03 48 00	Support, rocker arms	2	
22	12 03 02 00	Rocker arm, R/H, with bushings	2	
23	12 03 04 00	Rocker arm, L/H, with bushings	2	
24	91 11 15 11	Bushing, rocker arm	4	
25	12 03 40 01	Tappet screw	4	
26	92 60 25 08	Nut, tappet adjusting screw	4	
27	12 03 18 00	Spindle, rocker arm	4	
28	90 11 81 52	Washer, rocker arm	4	
29	94 32 22 15	Spring, rocker arm	4	
30	98 02 43 12	Bolt, rocker spindle	4	
31	95 02 11 06	Washer, rocker spindle bolts	4	
32	12 02 20 00	Gasket, cylinder head	2	
33	12 02 02 00	Cylinder	2	
34	12 02 08 00	Gasket, cylinder base	2	
35	12 02 17 00	Bolt, cylinder head, long	8	
36	95 10 03 15	Washer, cylinder head bolts	10	
37	92 75 11 03	Nut, cylinder head bolts	10	
38	12 02 18 00	Bolt, short, cylinder head	4	
39	12 02 16 00	Washer, short cylinder head bolt	2	
40	90 70 61 19	Sealing ring	2	
41	12 02 19 00	Nut, short bolt	2	
42	98 62 04 45	Screw, intake tube to cylinder head	6	
43	90 71 60 82	Washer, insulating, intake tube screw	6	
44	95 10 02 23	Washer, air intake tube	6	
45	12 11 50 01	Air intake tube	2	
46	12 11 55 01	Seal, air intake tube	4	
47	12 02 54 00	Reducing bush, R/H head intake tube	1	
	12 02 57 00	Reducing bush, L/H head intake tube	1	

Fig. No.	Order No.	DESCRIPTION	Quantity
Rocker boxes up to machine N. 3119 fit the following parts (See catalogue 1st edition)			
12	98 10 60 82	Screw, long, rocker box	8
13	98 10 60 28	Screw, short, rocker box	8
14	95 10 01 30	Washer, rocker box screws	16
40	90 70 60 90	Seal, on long cylinder head studs	8
The undermentioned parts have been removed from use in production and are no longer supplied as spare parts (See parts catalogue, 1st edition)			
48	12 11 50 00	Air intake pipe	2
49	12 11 55 00	Sealing block, intake pipe	2
When replacing use the following parts (See 2nd edition catalogue)			
45	12 11 50 01	Air intake pipe	2
46	12 11 55 01	Sealing block, air intake pipe and reduction bushings	4
47	12 02 54 00	Reduction bushing, R/H air intake	1
	12 02 57 00	Reduction bushing, L/H air intake	1

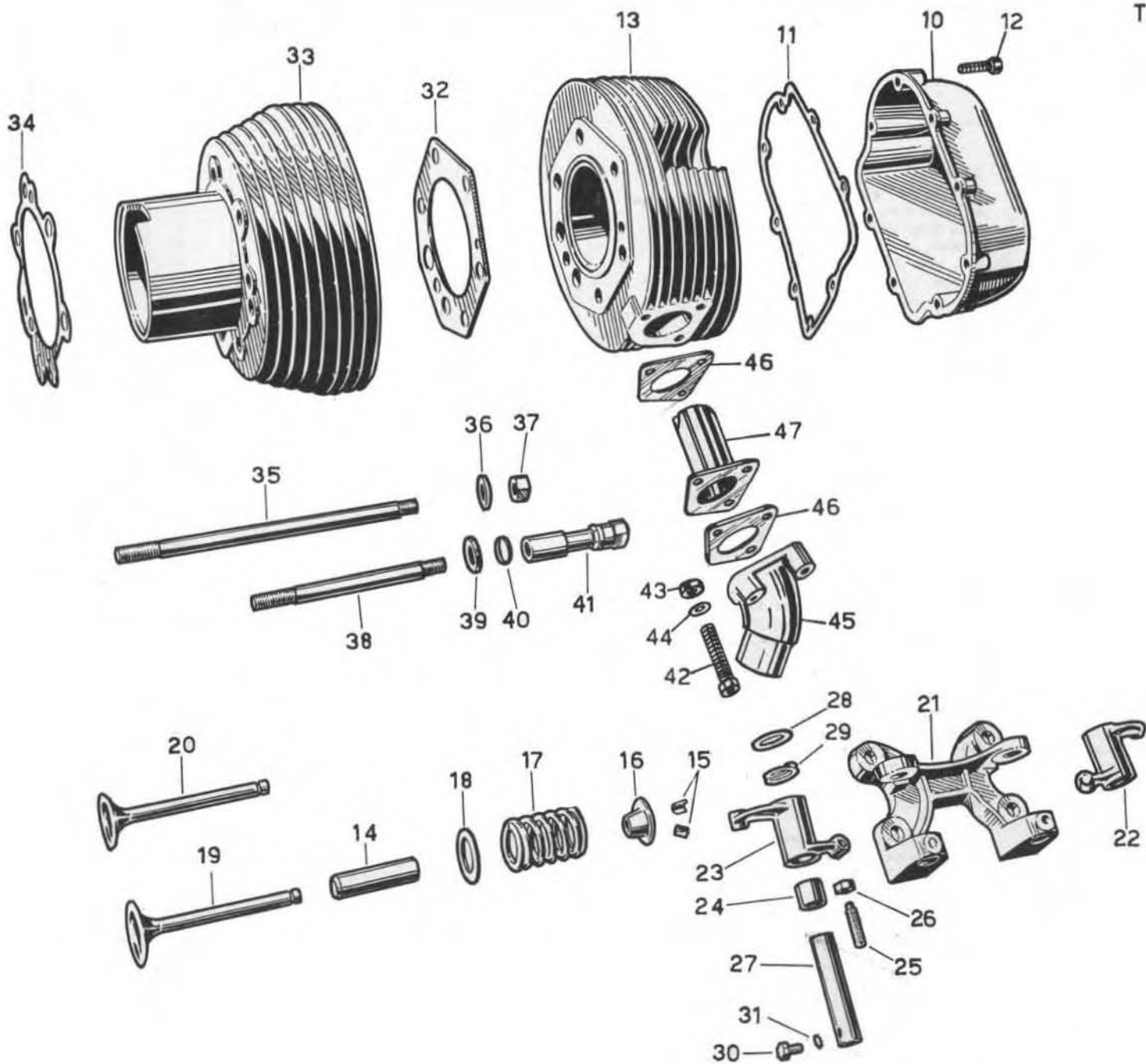


PLATE 2 MODEL: V-7 twin
Engine

GROUP: Crankcase and covers

Fig. No.	Order No.	DESCRIPTION	Quantity	Notes
10	12 00 07 00	Crankcase	1	
11	96 50 80 66	Bolt, short, gear box fixing	4	
12	96 50 80 75	Bolt, medium, gear box fixing	2	
13	96 50 80 80	Bolt, long, gear box fixing	1	
14	95 10 12 31	Washer, gear box bolts and starter bolt	8	
15	92 60 22 08	Nut, gear box fixing bolts	7	
16	12 01 19 00	Flange, c/w crankshaft bushing, timing side	1	
	12 01 19 01	Flange, c/w crankshaft bushing, timing side .2 mm u/s (.0078")		
	12 01 19 02	Flange, c/w crankshaft bushing, timing side .4 mm u/s (.015")		
	12 01 19 03	Flange, c/w crankshaft bushing, timing side 6. mm u/s (.023")		
17	12 01 19 04	Flange, c/w crankshaft bushing, timing side 8. mm u/s (.031")		
17	98 05 44 25	Bolt, flange to crankcase and timing cover	14	
18	12 01 21 00	Lock plate, flange and timing cover nuts	2	
19	12 01 29 00	Lock plate, flange securing nuts	1	
20	12 01 14 00	Flange, c/w main bearing, flywheel side	1	
	12 01 14 01	Flange, c/w main bearing, flywheel side .2 mm u/s (.0078")		
	12 01 14 02	Flange, c/w main bearing, flywheel side .4 mm u/s (.015")		
	12 01 14 03	Flange, c/w main bearing, flywheel side .6 mm u/s (.023")		
21	12 01 14 04	Flange, c/w main bearing, flywheel side .8 mm u/s (.031")		
21	90 40 53 68	Seal on crankshaft, flywheel side	1	Angus 53.68.10
22	12 01 18 00	Gasket, flange, flywheel side	1	
23	12 01 28 00	Lock plate, flywheel side cover bolt	4	
24	12 00 14 00	Timing cover	1	
25	40 40 38 50	Seal ring timing cover	1	Angus 38.50.7
26	98 10 60 28	Screw, short, timing cover securing	10	
27	98 10 60 43	Screw, long, timing cover and oil sump securing	18	
28	95 10 01 30	Washer, timing cover screws, generator belt cover bolts and oil sump	31	
29	12 00 12 00	Gasket, timing cover	1	
30	12 00 16 00	Cover, belt	1	
31	98 10 60 21	Screw, belt cover	3	
32	12 01 89 00	Locating bush	2	
33	98 05 24 75	Bolt, starter retaining	1	
34	12 00 35 00	Oil sump	1	
35	12 00 36 00	Gasket, oil sump	1	
36	12 00 37 00	Plug, oil drain	1	
37	90 71 41 95	Washer, oil drain and filler plug	2	
38	12 00 49 00	Plug, oil filler	1	
39	12 01 22 00	Pin, main bearing to flange, timing side	1	
40	12 01 17 00	Pin, main bearing to flange, flywheel side	1	

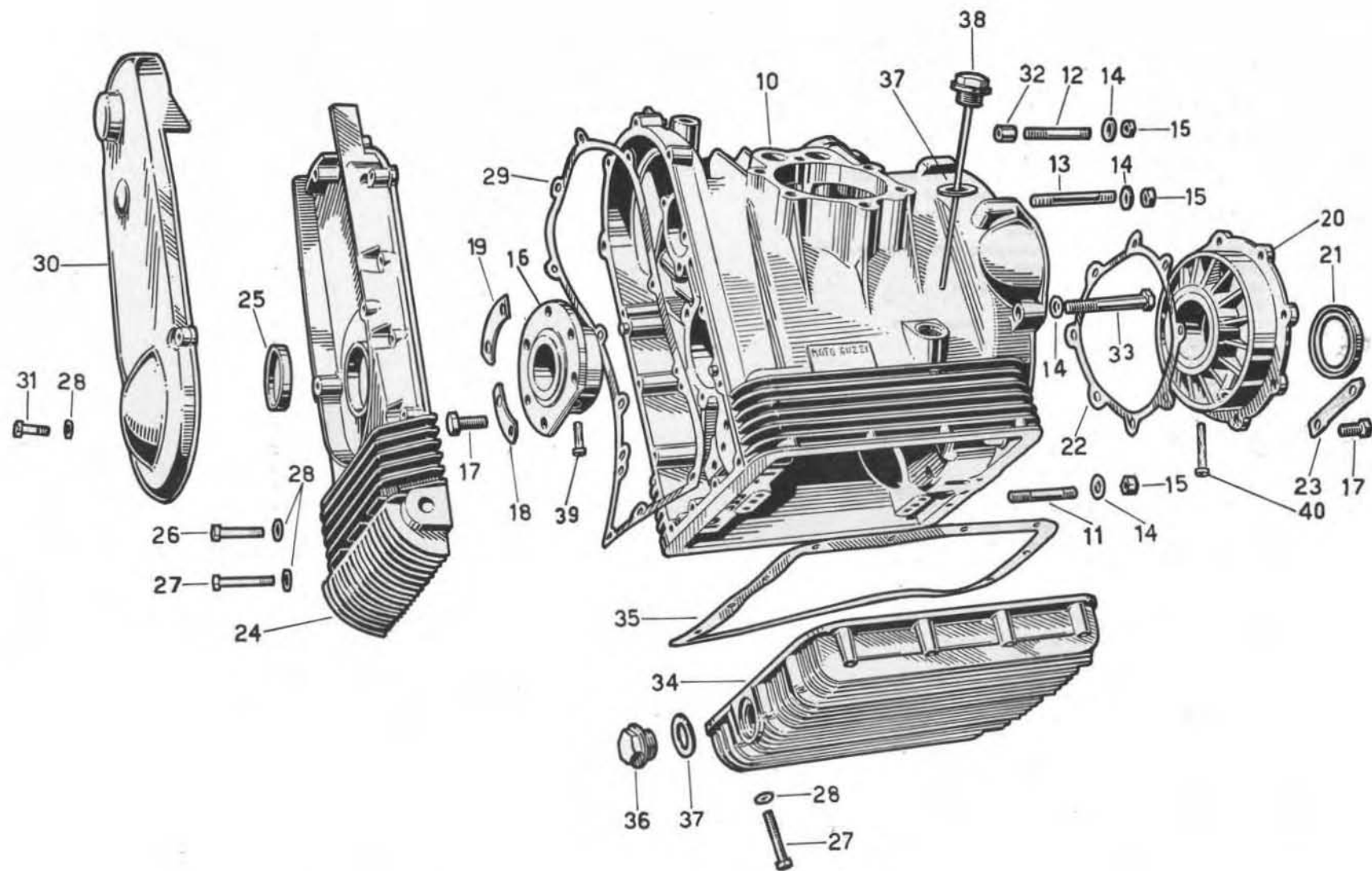


Fig. No.	Order No.	DESCRIPTION	Quantity	Notes
10	12 06 42 00	Crankshaft	1	
11	12 06 54 00	Plug, crankshaft	1	
12	12 06 15 00	Con-rod, complete	2	
13	91 11 21 24	Bush small end	2	
14	92 75 00 82	Nut, big end bolt	4	
15	12 06 23 00	Lock plate, big end bolt	4	
16	12 06 22 00	Bolt, big end	4	
17	12 06 20 00	Half bearing, big end, standard size	4	
	12 06 20 01	Half bearing, u/s .254 mm. (.01")		
	12 06 20 02	Half bearing, u/s .508 mm. (.02")		
	12 06 20 03	Half bearing, u/s .762 mm. (.03")		
	12 06 20 04	Half bearing, u/s 1.016 mm. (.04")		
18	12 06 04 00	Piston, bare	2	
18/1	12 06 02 00	Piston, complete with rings and pin	2	
19	12 06 07 00	Piston ring, top	2	
20	12 06 08 00	Piston ring, center	2	
21	12 06 09 00	Oil scraper	4	
21/1	12 06 06 00	Set complete, piston rings	2	
22	12 06 12 00	Piston pin	2	
23	90 35 10 37	Circlip, piston pin	4	
24	12 07 20 00	Distribution gear	1	
25	91 70 23 55	Woodruff key, timing gear and generator pulley	2	
26	12 07 40 00	Pulley, generator	1	
27	92 70 11 87	Nut, pulley to crankshaft and gear to camshaft	2	
28	95 10 06 76	Washer, pulley and camshaft gear nuts	2	
29	12 06 70 00	Flywheel	1	
30	12 06 76 00	Lock plate, flywheel bolts	3	
31	12 06 77 00	Bolt, flywheel retaining	6	
32	12 06 79 00	Ring gear, starter motor	1	
33	95 02 11 08	Spring washer, ring gear	8	
34	98 05 44 25	Bolt, ring gear to flywheel	8	
35	12 05 33 02	Camshaft	1	
36	12 05 40 00	Flange, camshaft	1	
37	98 10 60 21	Screw, flange to camshaft	3	
38	95 02 11 06	Spring washer, flange bolt to camshaft	1	
39	12 05 45 01	Cam wheel	1	
40	95 51 20 60	Pin, camwheel	1	
41	12 04 58 00	Tappet, valve	4	
	12 04 58 01	Tappet, valve, o/s .05 mm. (.00196")		
	12 04 58 02	Tappet, valve, o/s .10 mm. (.00393")		
42	12 04 50 01	Push rod, rocker complete	4	
N.B. - The undermentioned parts have been removed from use in production and are no longer supplied as spares parts (See 1st edition catalogue)				
27	12 03 40 00	Tappet screw	2	
42	12 04 50 00	Push rod, complete	2	
When replacing the above order, the following: (See 2nd edition catalogue)				
25	12 03 40 01	Tappet screw	2	
41	12 04 58 00	Tappet	2	
42	12 04 50 01	Push rod, complete	2	

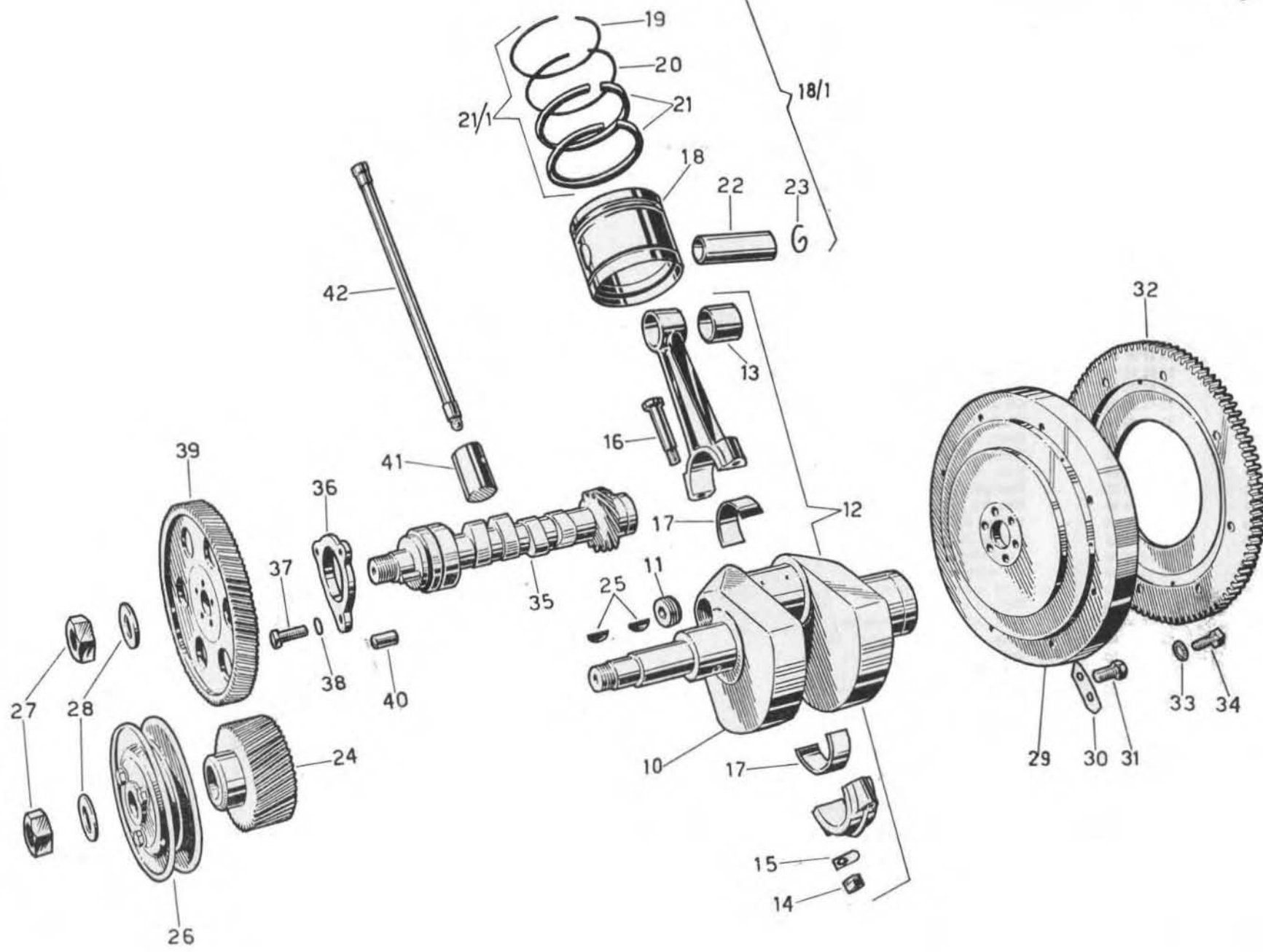


PLATE 4 MODEL: V-7 twin
Engine

GROUP: Oil pump - Oil lines - Filter - Breather
unit - Oil pressure solenoid

Fig. No.	Order No.	DESCRIPTION	Quantity	Notes
10	12 00 72 00	Breather tube	1	
11	12 00 76 00	Washer, breather tube	1	
12	98 10 60 15	Screw, breather tube and return pipe band	3	
13	95 02 11 06	Washer, breather tube and pipe band screws, and plug bottom plate securing bolt	5	
14	12 00 62 00	Tube, oil return from breather box	1	
15	12 00 65 00	Band, oil return, tube retaining	1	
16	12 00 66 00	Hollow bolt, return pipe fixing	1	
17	90 71 41 24	Washer, hollow bolt and oil pressure solenoid	3	
18	12 15 84 00	Oil pipe	1	
19	12 15 91 00	Washer, oil pipe fixing bolts	2	
20	98 05 44 30	Bolt, oil pipe securing	2	
21	12 15 92 00	Lock plate, oil pipe screws	2	
22	12 15 90 00	Plug, relief valve	1	
23	95 10 05 22	Washer	1	
24	12 15 07 00	Bottom plate, in plug	1	
25	94 32 10 70	Spring	1	
26	12 15 09 00	Plunger, oil relief valve	1	
27	12 14 62 00	Oil pump, complete	1	
28	12 14 78 00	Shaft, gear driving	1	
29	12 14 85 00	Gear, driven	1	
30	12 14 77 00	Gear, oil pump, driving	1	
31	91 70 12 32	Key, oil pump gear	1	
32	95 02 11 08	Washer, oil pump gear nut	1	
33	92 70 10 86	Nut, oil pump gear securing	1	
34	98 10 80 42	Screw, short, oil pump securing	2	
35	98 02 24 55	Screw, long, oil pump securing	2	
36	12 14 98 00	Lock plate, oil pump screws	2	
37	12 15 22 00	Oil cleaner, complete	1	
38	12 15 30 00	Wire gauze, oil filter	1	
39	12 15 26 00	Bottom plate	1	
40	98 02 43 10	Bolt, bottom plate retainer	2	
41	12 15 75 00	Line, flexible, for return pipe	1	
41/1	12 10 84 00	Band, recovery to flexible pipe	1	
42	12 15 32 00	Gasket, filter body	1	
43	95 02 11 08	Spring washer, filter screw	1	
44	98 02 04 35	Screw, filter securing	1	
45	12 15 36 00	Oil delivery pipe, to main bearing	1	
46	90 71 40 82	Gasket, oil pipe	6	
47	95 99 00 35	Screw, oil pipe securing	3	
48	12 76 87 00	Oil pressure solenoid	1	
49	12 15 76 00	Tube, vent	1	
50	12 15 57 00	Oil breather assembly, complete	1	
51	12 15 74 00	Hose, center	1	
52	12 15 78 00	Band, breather tube to center flexible pipe	1	

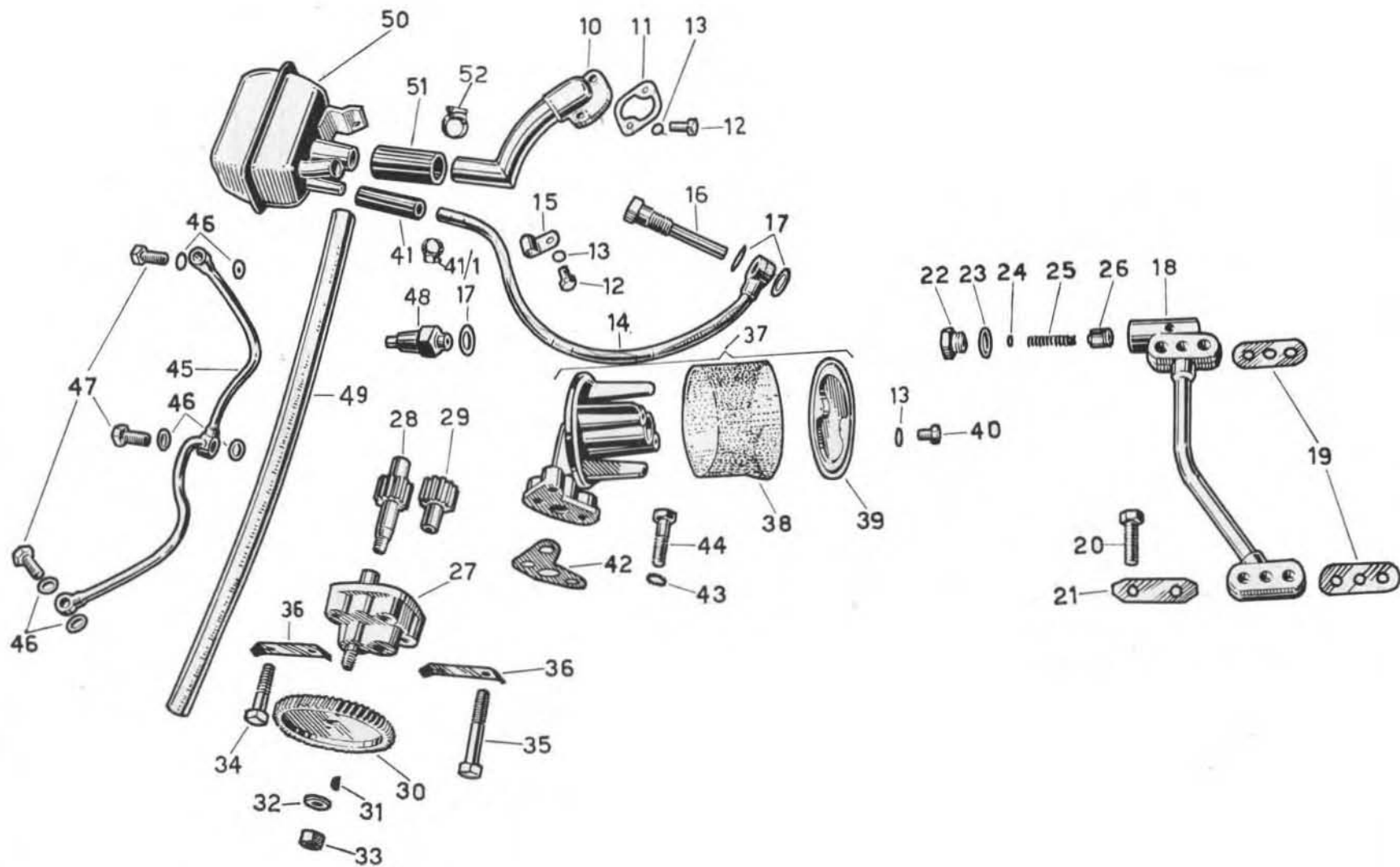


PLATE 5 MODEL: V-7 twin
Engine

GROUP: Fuel tank - Exhaust pipe - Muffler

Fig. No.	Order No.		Quantity	Notes
10	12 10 02 00	Fuel tank	1	
10/1	55 91 94 25	Decal, tank, R/H	1	} Tebaldi Make
	55 91 95 25	Decal, tank, L/H	1	
11	55 10 39 00	Filler Cap. complete, Includes:	1	
	55 10 40 00	Cap	1	
	55 10 46 00	Washer, cap	1	
	55 10 47 00	Spring	1	
	55 10 48 00	Cover	1	
	55 10 49 00	Screw	1	
	55 10 50 00	Lever	1	
	12	99 10 50 83	Screw, tank securing	
13	95 10 12 31	Washer	2	
14	55 10 35 25	Bushing	4	
15	55 10 34 25	Buffer, rubber	4	
16	95 10 01 39	Washer, external	2	
17	92 70 00 71	Nut	2	
18	90 71 41 23	Gasket, fuel tap	4	
19	12 10 54 00	Fuel tap	2	
19/1	12 10 65 00	Fuel line, complete	1	
19/2	12 10 84 00	Strap, fuel line	2	
20	12 10 66 00	Adapter, four-ways	1	
21	95 98 57 12	Fuel line, short	2	
22	95 98 57 20	Fuel line, long	2	
23	98 10 60 15	Screw, adapter securing	1	
24	95 02 11 06	Washer, adapter screw	1	
25	12 12 09 00	Exhaust pipe, R/H	1	
26	12 12 09 05	Exhaust pipe, L/H	1	
27	90 71 83 75	Gasket, exhaust pipe	2	
28	12 12 02 00	Lockring, exhaust pipe	2	
29	12 12 39 00	Connecting tube	1	
30	12 12 34 00	Band, complete	2	
31	99 10 50 80	Screw, silencer band to exhaust pipe and tube	4	
32	92 60 22 10	Nut, muffler screws	2	
33	95 02 11 10	Washer, muffler securing screws	2	
34	98 11 00 20	Screw, muffler securing	2	
35	55 12 70 25	Band, connecting tube retaining	2	
36	12 12 30 20	Muffler, R/H	1	
37	12 12 29 20	Muffler, L/H	1	

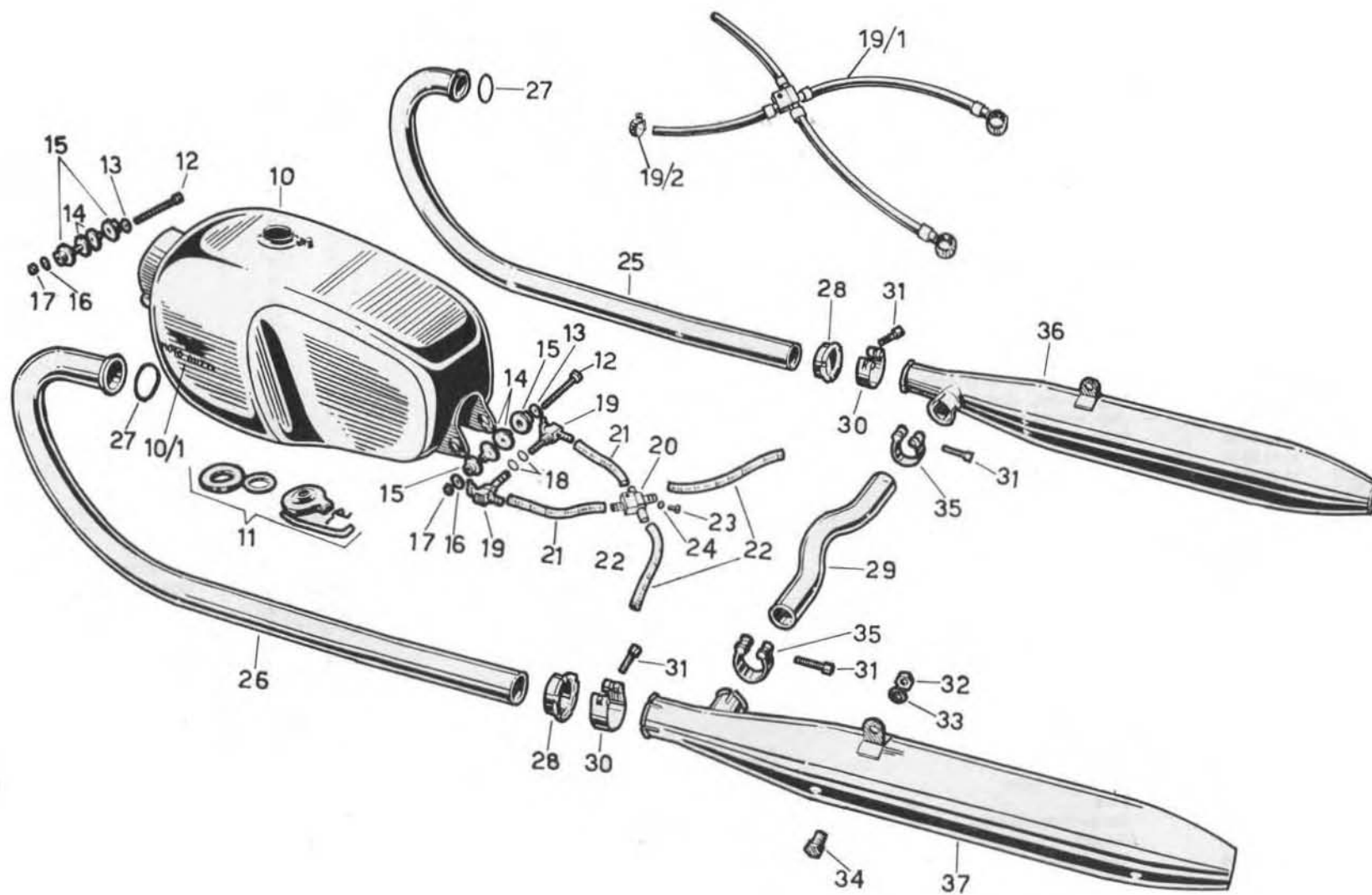


PLATE 6 MODEL: V-7 twin
Engine

GROUP: Carburetor - Control cables - Air cleaner

Fig. No.	Order No.	DESCRIPTION	Quantity	Notes
10	12 11 24 00	Carburetor, R/H	1	9981 (SSI 29 DS)
	12 11 24 00	Carburetor, L/H	1	9980 (SSI 29 D)
11	12 11 44 00	Air intake tube	2	
12	12 60 75 00	Throttle cable, from handlebar to intermediate adapter	1	
13	12 60 79 00	Adapter, two-ways	1	
14	12 80 71 00	Cover, adapter, near end	2	
15	12 80 70 00	Plunger, adapter	2	
16	12 80 72 00	Cover, adapter, far end	2	
17	98 10 80 15	Screw, adapter	1	
18	95 10 12 31	Washer, adapter screw	1	
19	92 60 22 08	Nut, adapter screw	1	
20	95 79 02 33	Thumb screw, cable adjuster	2	
21	92 70 00 71	Locknut, cable adjusting screw	2	
22	12 60 83 00	Cable, air, from handlebar to adapter	1	
23	12 11 70 00	Cable air, from carburetor to adapter	2	
24	12 11 75 00	Cable, throttle, from carburetor to adapter	2	
25	12 93 56 00	Clip, mixing chamber cap	2	1740.00.21 Dell'Orto
26	12 93 53 00	Cap, mixing chamber cover	2	6784.00.60 "
27	12 93 54 00	Screw, throttle silde	2	2388.00.37 "
28	12 93 58 00	Nut, throttle silde screw	2	1576.00.27 "
29	12 93 52 00	Adjuster, cable	2	1122.00.37 "
30	12 93 51 00	Nut, cable adjuster	2	1123.00.27 "
31	12 93 50 00	Cover, mixing chamber	2	6783.00.53 "
32	12 93 71 00	Spring, throttle slide	2	6785.00.61 "
33	55 93 85 85	Needle stop	2	1407.00.21 "
34	12 93 75 01	Throttle slide, c/w taper needle	2	2384.80.64 "
35	12 93 77 00	Taper needle, type M	2	1824.14.08 "
36	12 93 70 00	Choke	2	2412.29.65 "
37	12 93 86 00	Screw, rubber sleeve ring	2	4269.00.36 "
38	12 93 87 00	Ring, rubber sleeve retainer	2	1796.00.50 "
39	12 93 72 00	Cable adjuster	2	1100.00.37 "
40	12 93 73 00	Nut, cable adjuster	2	1127.00.34 "
41	12 93 74 00	Adjusting plug, air valve	2	1127.00.34 "
42	12 93 76 00	Spring, air valve	2	1745.11.61 "
43	12 93 78 00	Air valve	2	1120.00.64 "
44	12 93 79 00	Nipple	2	1747.00.04 "
45	12 93 80 00	Plug, fuel bowl	2	1801.00.34 "
46	12 93 37 00	Plug	2	2387.00.34 "
47	12 93 20 00	Body, float chamber	2	1737.00.96 "
48	12 93 39 00	Gasket	4	1161.00.30 "
49	12 93 31 00	Close plug, float chamber	2	1193.00.34 "
50	12 93 30 00	Float	2	1156.00.80 "
51	12 93 32 00	Float needle	2	1205.00.05 "
52	12 93 21 00	Cover, float chamber c/w tickler	2	2353.00.54 "
53	55 93 25 85	Ring, tickler	2	1493.00.21 "

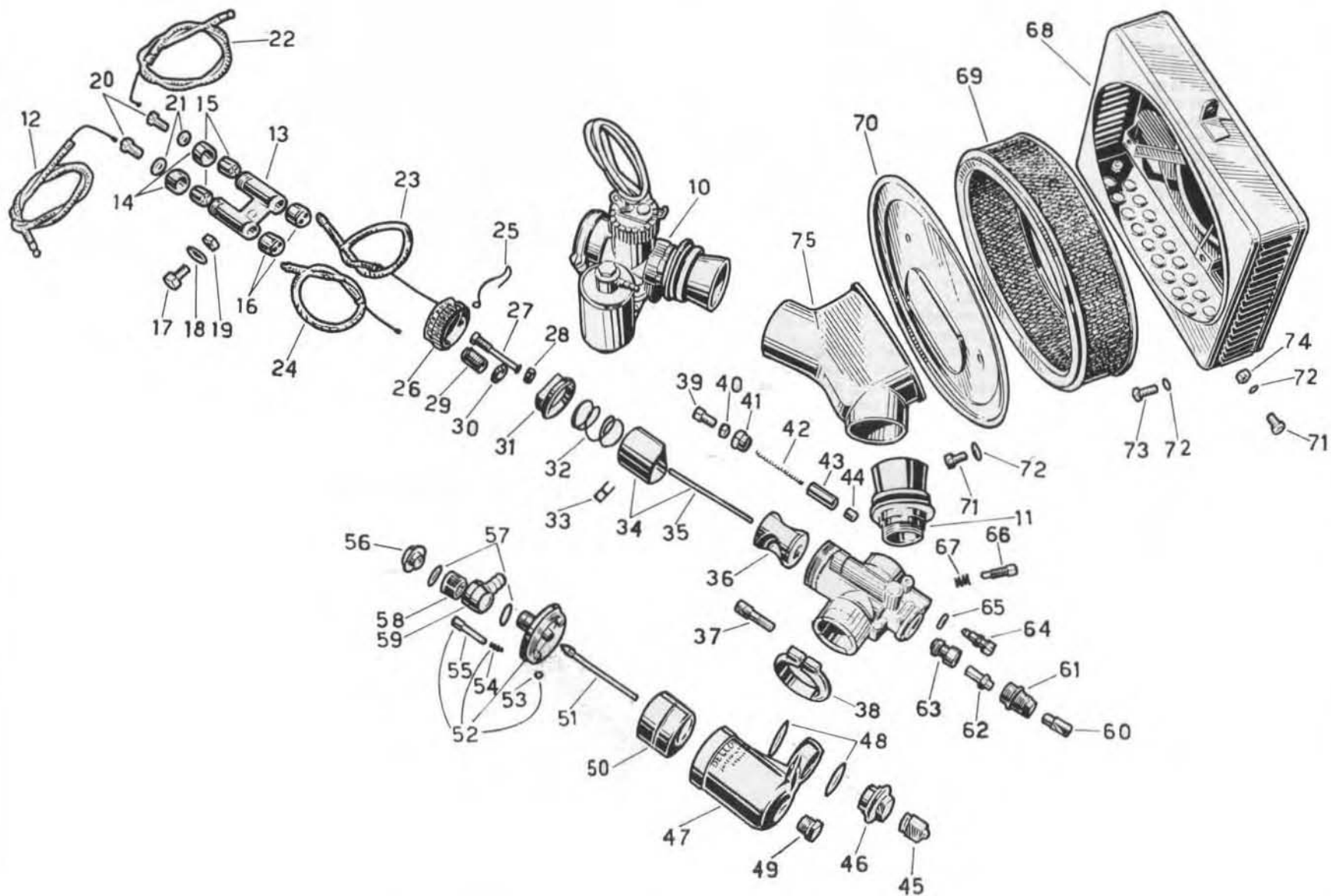


PLATE 6 MODEL: V-7 twin
Engine

GROUP: Carburetor - Control cables - Air cleaner

Fig. No.	Order No.	DESCRIPTION	Quantity	Notes
54	12 93 24 00	Spring, tickler	2	1288.00.61 Dell'Orto
55	12 93 49 00	Tickler	2	6534.00.25 »
56	55 93 49 85	Plug	2	1494.00.34 »
57	55 93 47 85	Washer, plug	4	1416.00.30 »
58	55 93 40 85	Filter	2	1419.00.29 »
59	12 93 46 00	Adapter	2	1564.00.38 »
60	12 93 57 00	Main jet	2	1126.120.02 »
61	12 93 88 00	Jet holder	2	2386.00.32 »
62	12 93 55 00	Atomizer	2	1805.265.28 »
63	12 93 89 00	Atomizer nozzle	2	1795.00.50 »
64	12 93 59 00	Pilot Jet	2	1159.55.02 »
65	12 93 60 00	Gasket, pilot jet	2	1158.00.30 »
66	12 93 62 00	Air adjusting screw	2	1101.00.37 »
67	12 93 63 00	Spring, air screw	2	1116.00.61 »
68	12 11 32 00	Box, air cleaner	1	
69	12 11 36 00	Air cleaner element	1	
70	12 11 34 00	Cover, air cleaner box	1	
71	98 02 43 12	Screw, air cleaner cover and top securing	3	
72	95 02 11 06	Washer, cover screw and cleaner box (top)	5	
73	98 05 43 16	Screw, cleaner box securing (bottom)	2	
74	92 60 22 06	Nut, air cleaner box top screw	1	
75	12 11 43 00	Rubber sleeve, inlet tube to cleaner box	1	

PLATE 7 MODEL: V-7 twin
Primary drive

GROUP: Clutch and controls

Fig. No.	Order No.	DESCRIPTION	Quantity	Notes
10	12 08 41 01	Spring, clutch	8	
11	12 08 29 00	Pressure plate, clutch	1	
12	12 08 44 00	Clutch plate, complete	2	
13	12 08 23 00	Intermediate plate, clutch	1	
14	12 08 28 00	Washer, clutch plate	1	
15	12 08 57 01	Rod, clutch pressure plate	1	
16	12 08 59 01	Felt tube	1	
17	12 08 60 01	Inner body	1	
18	12 08 70 00	Cage, complete	1	
19	12 08 60 01	Outer body	1	
20	90 70 61 50	Seal	1	
21	12 09 02 00	Lever, clutch operating, on gear box	1	
22	12 09 04 01	Dowel, lever	1	
23	95 78 02 71	Pin, lever securing to gear box	1	
24	95 50 02 22	Cotter pin	1	
25	12 09 30 00	Cable, clutch	1	
26	12 00 65 00	Band, cable	1	
27	95 10 01 37	Washer	1	
 Machines up to frame N. 2715 fit the following: (See catalogue 1st edition)				
15	12 08 57 00	Rod, clutch pressure plate	1	
16	12 08 59 00	Felt tube	1	
17	92 29 57 04	Intermediate ball	1	
18	12 08 60 00	Inner body	1	
19	25 08 70 00	Cage, complete	1	
20	12 08 61 00	Outer body	1	

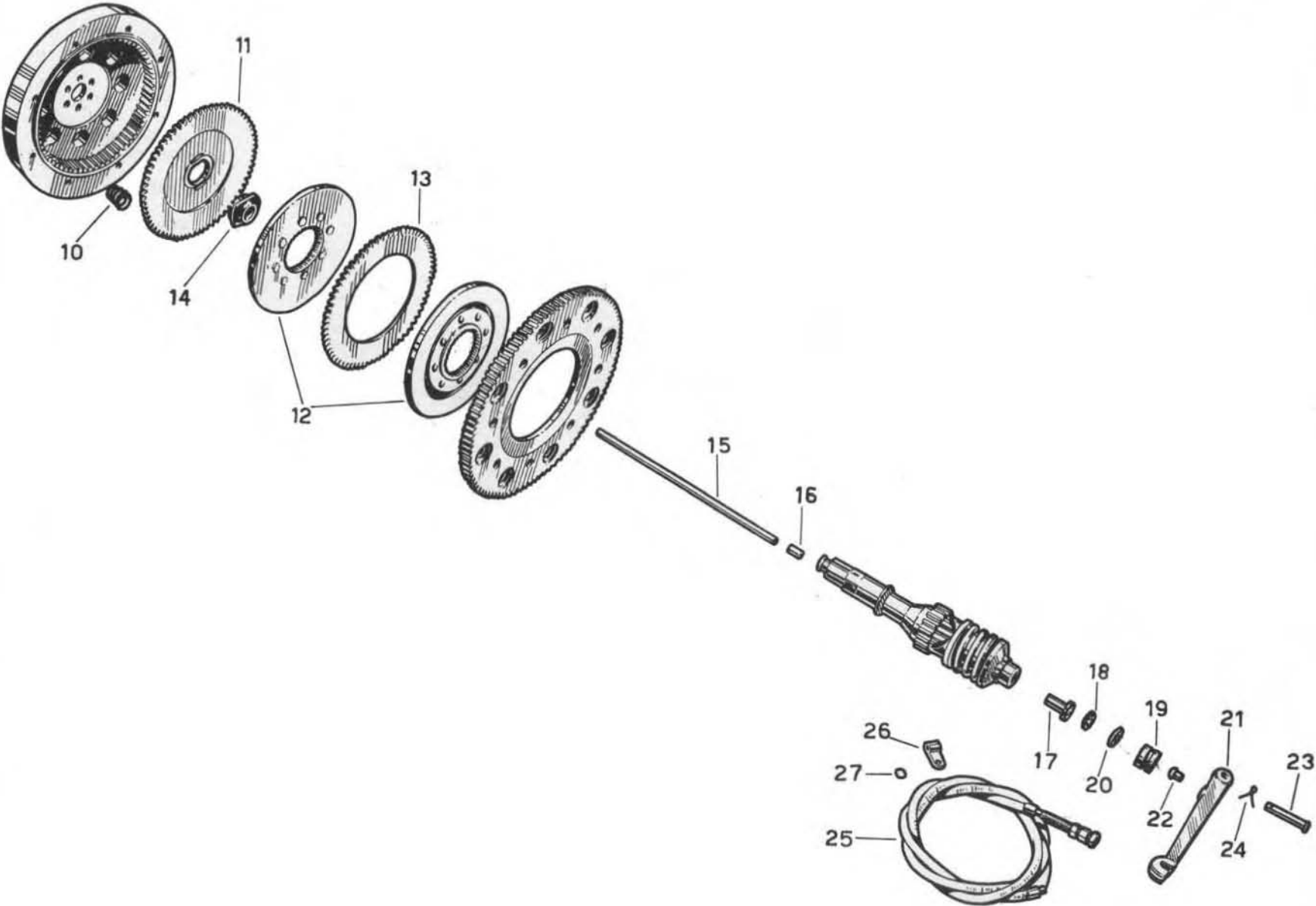


Fig. No.	Order No.	DESCRIPTION	Quantity	Notes
10	12 20 02 00	Gear box	1	
11	12 20 08 00	Cover, gear box	1	
12	92 20 12 25	Bearing, in gear box for main shaft (Ball)	1	25x52x15 RIV 2A
13	92 25 62 17	Bearing, in gear box for clutch shaft (Ball)	1	17x35x15 RIV NAS 17
14	12 20 07 00	Bottom plate, in gear box for layshaft	1	
15	92 20 12 20	Bearing, for layshaft, in gear box cover for main shaft (ball)	2	20x47x14 RIV 1 A20
16	95 51 20 81	Locating pin	2	
17	90 40 25 35	Seal	1	Angus 25.35.7
18	12 20 11 00	Gasket, gear box cover	1	
19	92 20 11 20	Bearing (ball), in gear box cover for clutch shaft	1	20x42x12 RIV ELL 20
20	92 20 12 22	Bearing (ball), in gear box cover for layshaft	1	22x50x14 RIV 1A 22
21	90 40 35 47	Seal, in box cover for layshaft	1	Angus 35x47x7
22	98 10 60 34	Screw, gear box cover fixing	10	
23	95 10 01 30	Washer, gear box cover screws, selector cover, and neutral indicator solenoid	17	
24	12 20 10 00	Band	1	
25	12 20 14 00	Cover, selector	1	
26	12 20 15 00	Gasket, selector cover	1	
27	98 10 60 21	Screw, selector cover, short	4	
28	98 10 60 55	Screw, selector cover, long	1	
29	55 23 78 00	Adjusting screw	1	
30	92 70 01 22	Nut, adjusting screw	1	
31	95 10 14 30	Washer, adjusting screw	1	
32	12 20 72 00	Neutral indicator unit, complete	1	
33	12 20 77 00	Washer, neutral indicator unit	1	
34	92 60 82 05	Nut, indicator securing	2	
35	95 10 00 56	Washer, indicator securing nut	2	
36	98 05 43 16	Screw, indicator body to gear box	2	
37	12 00 37 00	Plug, oil filler	1	
38	90 71 41 95	Washer, oil filler plug	1	
39	95 98 02 10	Plug, level indicator, drain plug	2	
39/1	12 23 53 00	Plug, selector pawl drum	1	
40	90 17 41 01	Washer, oil level, drain plug, and selector pawl drum plugs	3	
41	94 32 10 63	Spring, selector drum pawl	1	
42	55 23 47 00	Pawl, selector drum	1	
43	12 76 16 20	Speedometer, mile calibrated	1	
44	12 76 04 00	Cable, speedometer	1	
45	12 76 25 00	Speedo drive, complete	1	
46	12 76 33 00	Ferrule	1	
47	12 76 61 00	Speedo drive gear, in gear box	1	

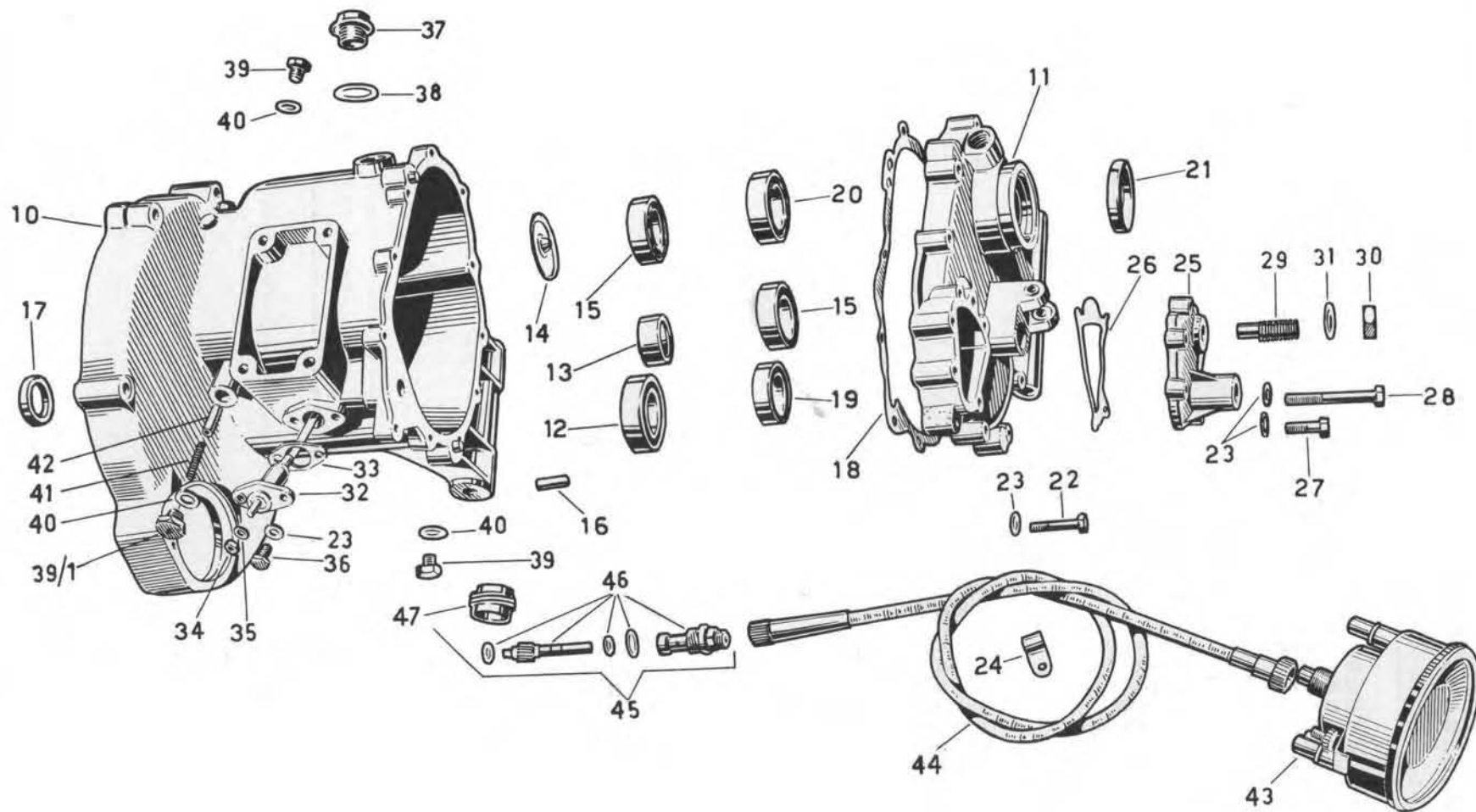


PLATE 9

MODEL: V-7 twin
Primary drive

GROUP: Gear box - Shafts - Controls

Fig. No.	Order No.	DESCRIPTION	Quantity	Notes
10	12 25 09 00	Pedal, gearshift	1	
11	55 25 10 00	Rubber, gearshift pedal	2	
12	98 10 60 22	Screw, gearshift pedal securing	1	
13	12 25 11 00	Shaft, c/w lever	1	
14	95 50 02 22	Cotter pin, gearshift control rod	2	
15	95 12 91 10	Washer, gearshift control rod pins	2	
16	95 78 02 65	Pins, gearshift control rod	2	
17	92 70 00 73	Nut, adjusting, on rod	1	
18	95 74 01 71	Fork, on gearshift rod	2	
19	12 25 79 00	Rod, gearshift	1	
20	25 25 78 00	Rod, c/w fork	1	
21	98 10 60 21	Screw, gearshift to crankcase	1	
22	12 25 82 00	Lever, gearshift operating	1	
23	12 23 68 00	Starter pin	1	
24	55 23 82 00	Spring, starter pin return	1	
25	12 23 85 01	Camplate, gear control	1	
26	12 23 44 00	Drum, gear selector	1	
27	55 23 64 00	Body, inner, selector	1	
28	12 23 79 00	Plunger, selector R/H	2	
28/1	12 23 80 00	Plunger, selector L/H	1	
29	26 26 72 00	Pawl, selector plunger	2	
30	94 32 10 49	Spring, selector plunger	2	
31	12 23 43 00	Rod, selector drum	1	
32	95 10 02 22	Washer, adjusting	1	
33	12 20 20 00	Oil pick up plate	1	
34	12 23 24 00	Shaft, fork	1	
35	12 23 05 00	Fork, gear selector	2	
36	12 21 05 01	Main shaft, gear box	1	
37	12 21 10 00	Washer, thrust	1	
37/1	90 11 92 47	Washer, intermediate, high gear side	1	
38	12 21 36 00	Layshaft	1	
39	93 60 10 22	Lock ring, layshaft gear	1	
40	95 02 80 22	Tab washer, locking	1	
41	12 21 55 00	Spacer	1	
42	12 21 43 00	Washer, adjusting, layshaft	1	
43	12 21 40 01	Gear, 1st speed, c/w bushing	1	
44	91 21 27 20	Bushing, 1st speed gear	1	
44/1	12 21 46 00	Washer, thrust, circlip to bush	2	
45	90 27 10 27	Circlip, gear retaining on shaft	2	Seeger 27 e
46	12 23 07 01	Sleeve, sliding, 1st and 2nd speed	1	
47	12 21 44 01	Gear, 2nd speed, c/w bushing	1	
48	91 12 27 14	Bushing, 2nd and 3rd speed gear	2	
49	12 21 47 01	Gear, 3rd speed gear, with bush	1	
50	12 23 15 01	Sleeve, sliding, 3rd and 4th speed	1	
51	12 21 51 01	Gear, 4th speed	1	
52	12 21 53 01	Floating bush, 4th speed gear	1	
52/1	12 21 54 00	Washer, thrust, bush to shaft	1	
53	12 21 07 01	Shaft, clutch	1	
54	90 27 10 25	Circlip, inner clutch body retaining	2	Seeger 25 e
55	12 08 18 01	Inner body, clutch	1	
56	12 21 17 00	Semi collar, cush drive plate	1	
57	12 21 16 00	Plate, cush spring	1	
58	12 21 15 00	Spring, cush drive	1	
59	12 21 12 00	Sliding muff	1	
60	12 21 11 01	Driving gear, clutch shaft to mainshaft	1	

**Machines up to engine N. 2119 fit the following
(See catalogue 1st edition)**

Fig. No.	Order No.	DESCRIPTION	Quantity
25	55 23 85 00	Camplate	1
28	55 23 79 00	Pawl, selector	2
36	12 21 05 00	Mainshaft	1
37	90 11 82 45	Washer, thrust	1
43	12 21 40 00	Low gear, c/w bushing	1
46	12 23 07 00	Sliding sleeve, low and 2nd	1
47	12 21 44 00	2nd gear c/w bushing	1
48	91 12 27 16	Bushing, 2nd and 3rd gear	2
49	12 21 47 00	3rd gear c/w bushing	1
50	12 23 15 00	Sliding sleeve, 3rd and high	1
51	12 21 51 00	High gear	1
52	12 21 53 00	Bush, floating, high gear	1
53	12 21 07 00	Shaft, clutch	1
54	90 27 10 23	Circlip, inner body	1
55	12 08 18 00	Inner body, clutch	1
60	12 21 11 00	Counter gear on clutch shaft	1

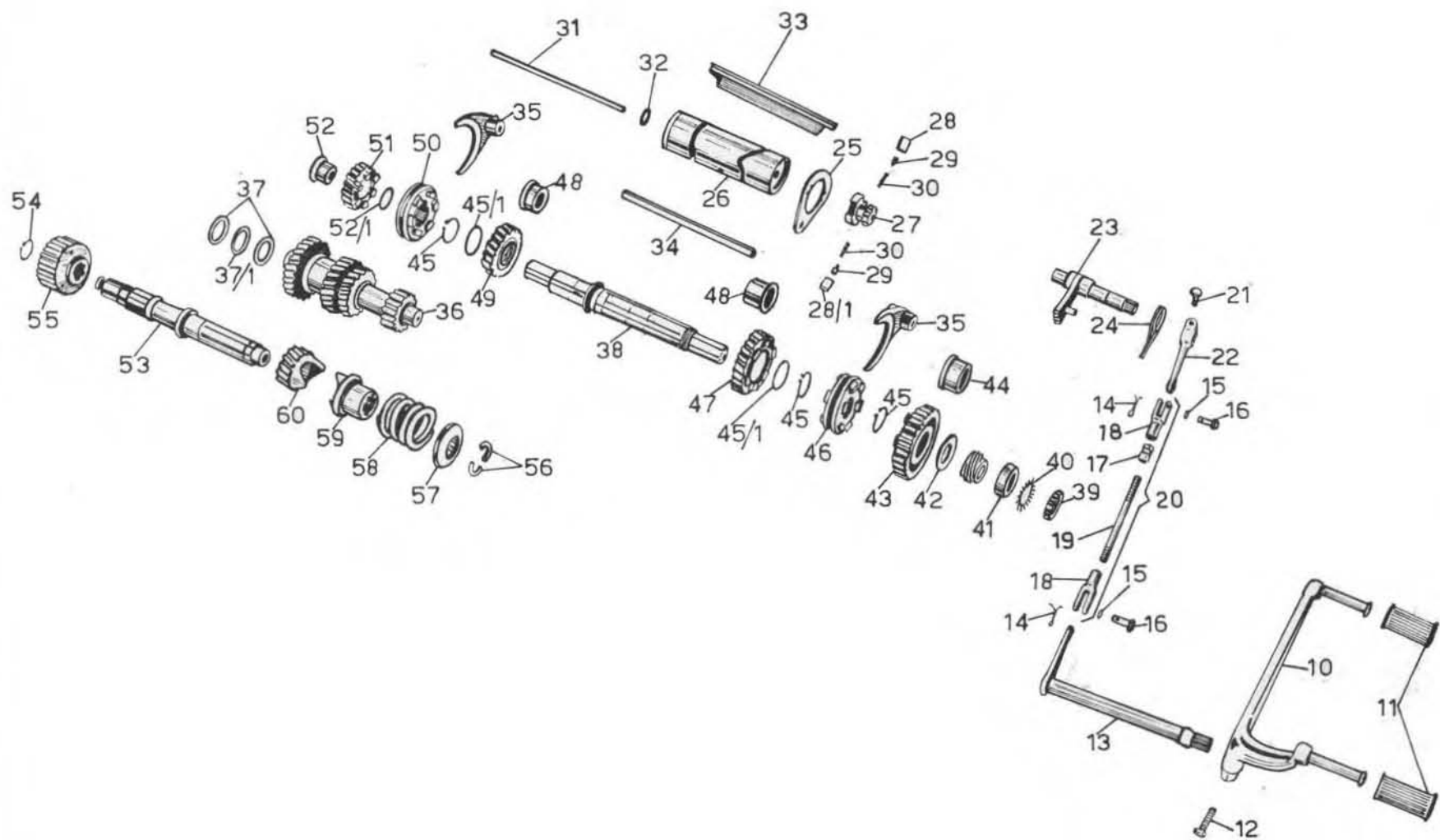


Fig. No.	Order No.	DESCRIPTION	Quantity	Notes
10	12 54 02 00	Rear fork	1	
11	98 02 05 35	Screw, clamp	1	
12	95 10 03 31	Washer, clamp screw	1	
13	12 54 78 00	Cap nut, rear fork to frame	2	
14	92 72 02 00	Nut, fork spindle	2	
15	12 54 72 00	Spacer	2	
16	12 54 70 00	Spindle, rear fork support	2	
17	90 40 30 40	Seal, rear fork support spindle	2	
18	92 24 92 16	Bearing, taper roller	2	Angus 30x40x7
19	96 50 80 45	Screw, rear wheel drive box securing	4	17x40x12 RIV 01/02 5010
	98 05 44 30	Bolt, rear wheel drive box securing		
20	95 02 11 08	Washer, drive box screws	4	
20/1	92 60 50 08	Nut, drive box bolt	4	
21	12 35 02 00	Rear wheel drive box, complete	1	
22	12 54 80 00	Rubber gaiters	1	
23	12 54 82 01	Band, large, gaiters to drive box	1	
24	12 54 84 01	Band, small, gaiters to gear box	1	
25	12 32 80 00	Double joint, for layshaft and drive shaft	2	
26	12 32 63 00	Drive shaft	1	
27	12 32 77 00	Sleeve, drive shaft and bevel drive	1	
28	90 27 10 20	Seal, drive shaft and bevel gears	3	
29	90 27 20 58	Circlip	1	Seeger 20 e
30	92 20 42 28	Ball bearing, rear fork	1	58 i
31	12 35 03 00	Drive box	1	28x58x16 RIV ALN 28
32	12 00 37 00	Oil filler cap, drive box	1	
33	90 71 41 95	Gasket, oil filler cap	1	
34	95 98 02 10	Plug, oil level and drain	2	
35	90 71 41 01	Gasket, oil level and drain plug	2	
36	93 60 10 26	Lockring, bevel gear securing	1	SKF-KM5
37	95 02 80 25	Safety washer, lockring	1	SKF-MB5
38	92 24 92 25	Bearing, taper roller	2	25x52x16.25 RIV 01/02/7205
39	12 35 24 00	Housing, for bearing	1	
40	12 35 26 00	Gasket, housing-drive box	1	
40/1	90 70 64 90	Oil seal, in rear drive box	1	
41	12 35 29 00	Gasket, housing-rear fork	1	
42	12 35 51 00	Distance piece for bearing	1	
43	12 35 52 00	Shim, distance piece-bearing (0,1 mm. ea = 0039")	1 to 17	
		Shim, spacer-bevel gear (0,1 mm ea = 0039")	1 to 14	
44	12 35 53 00	Distance piece, bevel gear	1	
45	12 35 46 00	Bevel gear set	1	
46	98 05 44 25	Bolt, flange fixing to drive case	8	
47	12 35 21 00	Lock plate, flange bolts	4	
48	12 35 04 00	Flange, drive case	1	
49	12 35 07 00	Gasket, flange-spacer and spacer drive box	2	
50	12 35 54 00	Shim, 0,8 ^m / _m	1	
	12 35 54 02	Shim, 0,9 ^m / _m		
	12 35 54 04	Shim, 1 ^m / _m		
	12 35 54 06	Shim, 1,1 ^m / _m		
	12 35 54 08	Shim, 1,2 ^m / _m		
	12 35 54 10	Shim, 1,3 ^m / _m		
51	90 40 70 85	Seal	1	Angus 70.85.8
52	12 35 63 00	Bolt, bevel set securing	8	
53	12 35 64 00	Lock plate, bevel gear bolts	4	
54	92 20 10 70	Ball bearing	1	70x110x13 RIV ELN 70
55	12 35 14 00	Journal bearing	1	
56	92 25 43 40	Roller bearing	1	Durkopp NAF 40x55x17
57	12 35 11 00	Cage, retaining ring	1	
58	90 40 38 50	Seal	1	Angus 38.50.7
59	12 35 13 00	Stop plate, bearing	1	
60	98 28 06 14	Screw, bearing stop plate	1	

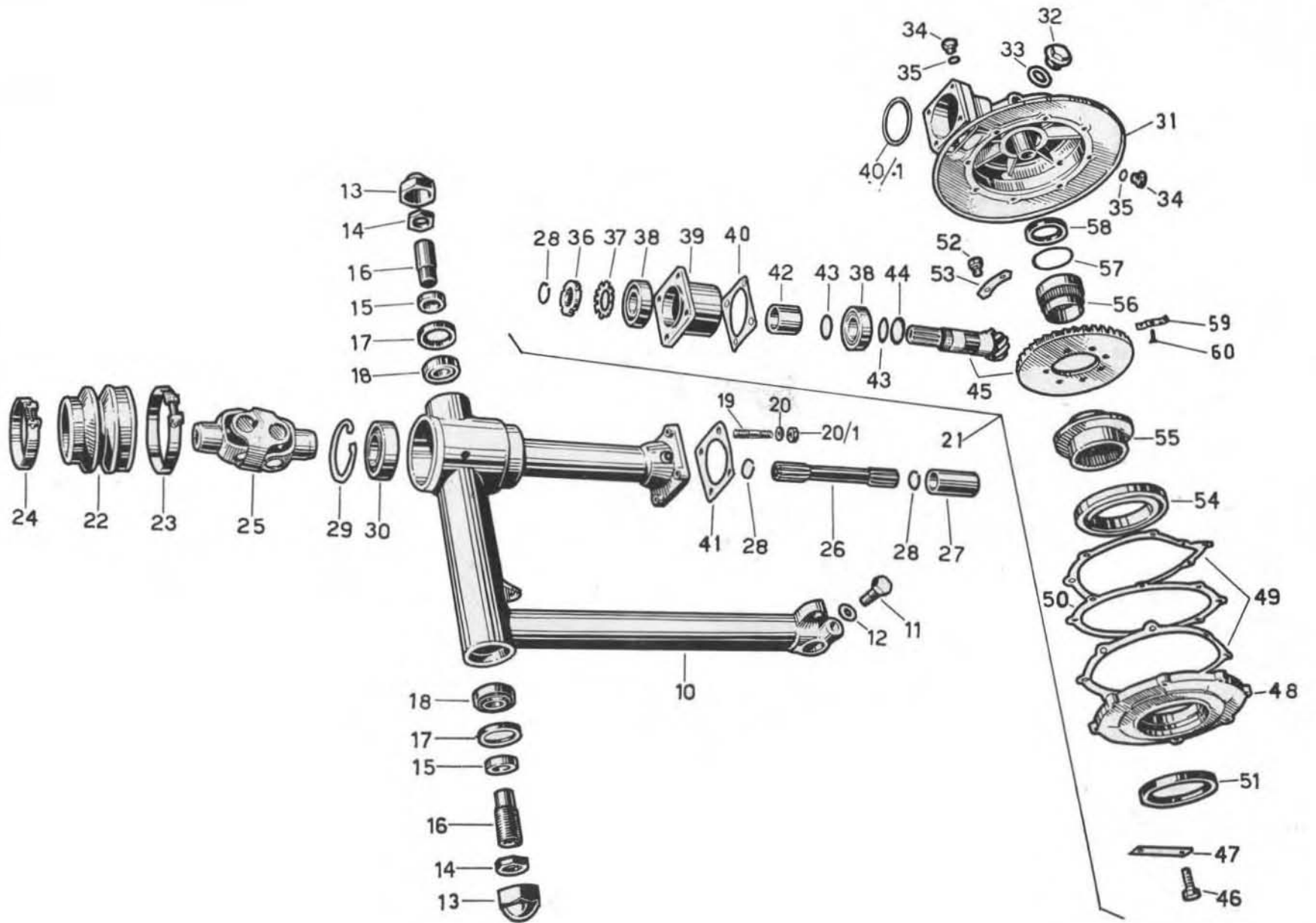


PLATE 11 MODEL: V-7 twin
Frame

GROUP: Frame - Center stand - Side stand - Footrest pivot - Pillion footrest - Rear fender

Fig. No.	Order No.	DESCRIPTION	Quantity	Notes
10	12 40 01 01	Frame	1	
11	92 60 23 12	Nut, engine to frame bolts	2	
12	95 10 04 15	Washer, engine to frame bolt	2	
13	12 42 97 00	Spacer, front	2	
14	12 42 98 00	Spacer, rear	2	
15	12 42 96 00	Bolt, engine to frame	2	
16	12 41 82 00	Plate, battery support	1	
17	98 02 44 12	Screw, front plate, battery plate, crashbar to frame top	4	
18	98 10 80 17	Screw, rear plate and battery plate	2	
19	95 10 12 31	Washer, front and rear battery plate screws	4	
20	98 11 00 15	Screw, plate fixing to frame	2	
21	95 10 03 11	Washer, front plate, center stand, and side stand bolt	5	
22	12 43 03 00	Center stand	1	
23	92 63 01 10	Nut, center and side stand fixing bolts	3	
24	40 91 78 00	Decal, rear fender	1	
25	99 10 51 34	Bolt, center stand	2	
26	12 43 40 00	Spring, center and side stand return	2	
27	12 43 30 00	Buffer, rubber, center and side stand	2	
28	12 43 20 00	Side stand	1	
29	12 43 28 00	Bolt, side stand	1	
30	92 60 22 08	Nut, spring securing dowel	1	
31	95 10 02 25	Washer, spring dowel	1	
32	12 43 42 00	Peg, spring retaining	1	
33	95 10 04 83	Washer, inner, damper securing pin	4	
34	12 44 02 00	Pivot arm, footrest	2	
35	12 44 32 00	Rubber, footrest	2	
36	92 60 22 10	Nut, pillion footrest, front seat bolt, bottom handgrip, and shock absorbers	7	
37	95 02 11 10	Washer, pillion footrest nut, front seat bolt, and handgrip	6	
38	95 10 03 37	Washer, plain, pillion footrests and bottom shock absorbers fixing spindle	4	
39	12 44 23 00	Footrest, pillion	2	
40	12 45 03 00	Crashbar, R/H	1	
41	12 45 04 00	Crashbar, L/H	1	
41/1	98 05 44 18	Screw, crash bar to frame, bottom	2	
42	12 55 02 00	Rear shock absorbers	2	
43	12 55 23 00	Spring, rear shock absorbers	2	
44	12 47 60 00	Tool box	2	
45	55 47 85 00	Thumb screw	2	
46	55 47 86 00	Washer	2	
47	98 10 60 17	Screw, long, tool box securing	2	
48	98 02 43 12	Screw, short, tool box securing	4	
49	95 10 01 30	Washer, tool box screws	12	
50	92 60 22 06	Nut, tool box screws	6	
51	12 46 05 00	Seat, dual	1	
52	12 46 16 00	Buffer, dual seat	3	
53	98 11 00 67	Bolt, front seat securing	1	
54	55 55 16 00	Bushing, flexible, rear dampers	4	

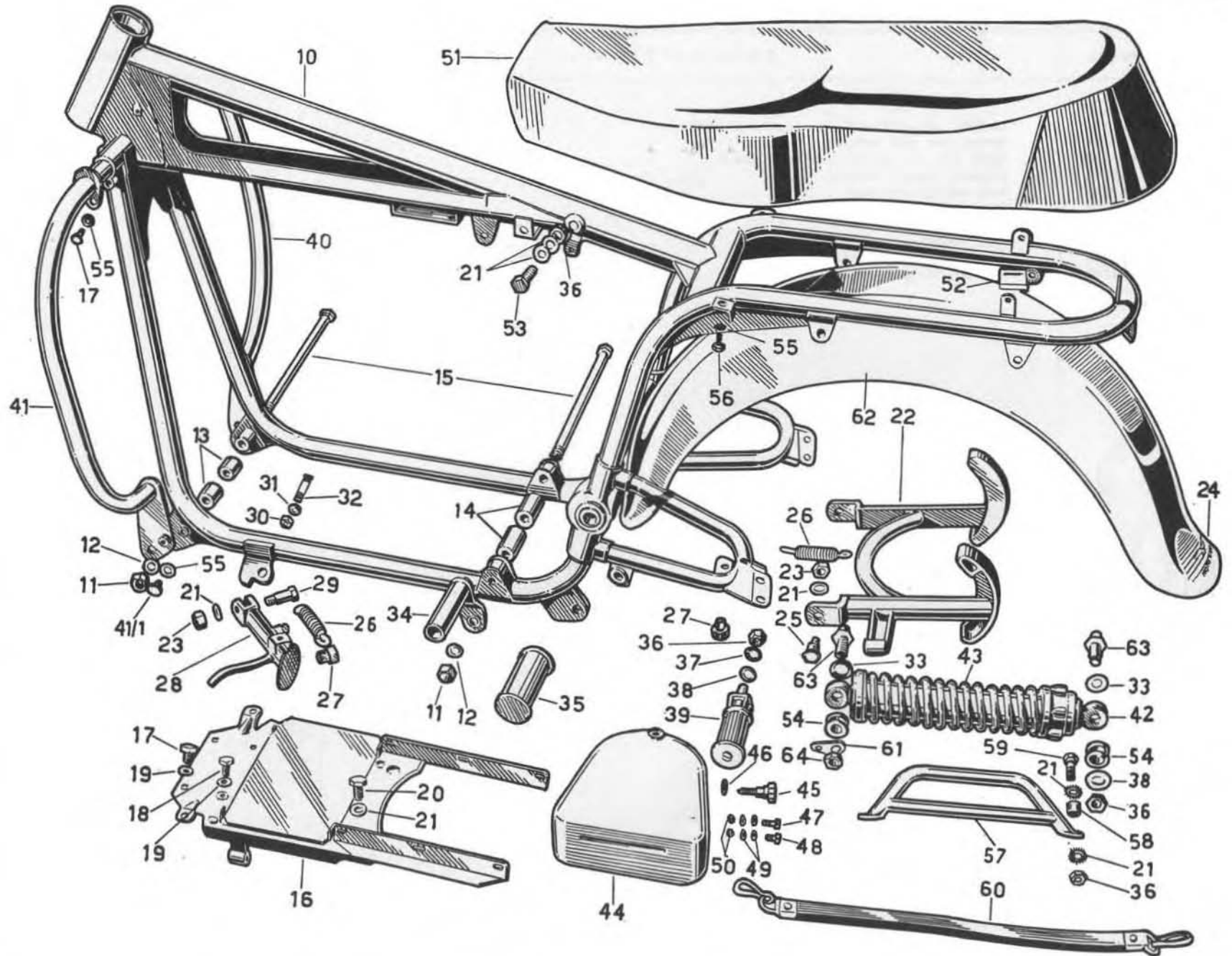


PLATE 11 MODEL: V-7 twin
Frame

GROUP: Frame - Center stand - Side stand - Footrest pivot - Pillion footrest - Rear fender

Fig. No.	Order No.	DESCRIPTION	Quantity	Notes
55	95 02 11 08	Washer, rear seat securing screws and crashbars	6	
56	98 10 80 16	Screw, rear seat securing	2	
57	12 46 43 20	Hand grip, for raising machine on stand	2	
58	91 18 10 15	Distance piece, handgrip	2	
59	98 02 05 35	Bolt, handgrip to seat	2	
60	12 46 85 00	Hand grip, second passenger	1	
61	12 46 86 00	Lug, pillion handrip	2	
62	12 43 70 00	Rear fender	1	
63	12 55 52 00	Boss, damper attachment	4	
64	92 75 01 02	Nut, top, damper securing	2	

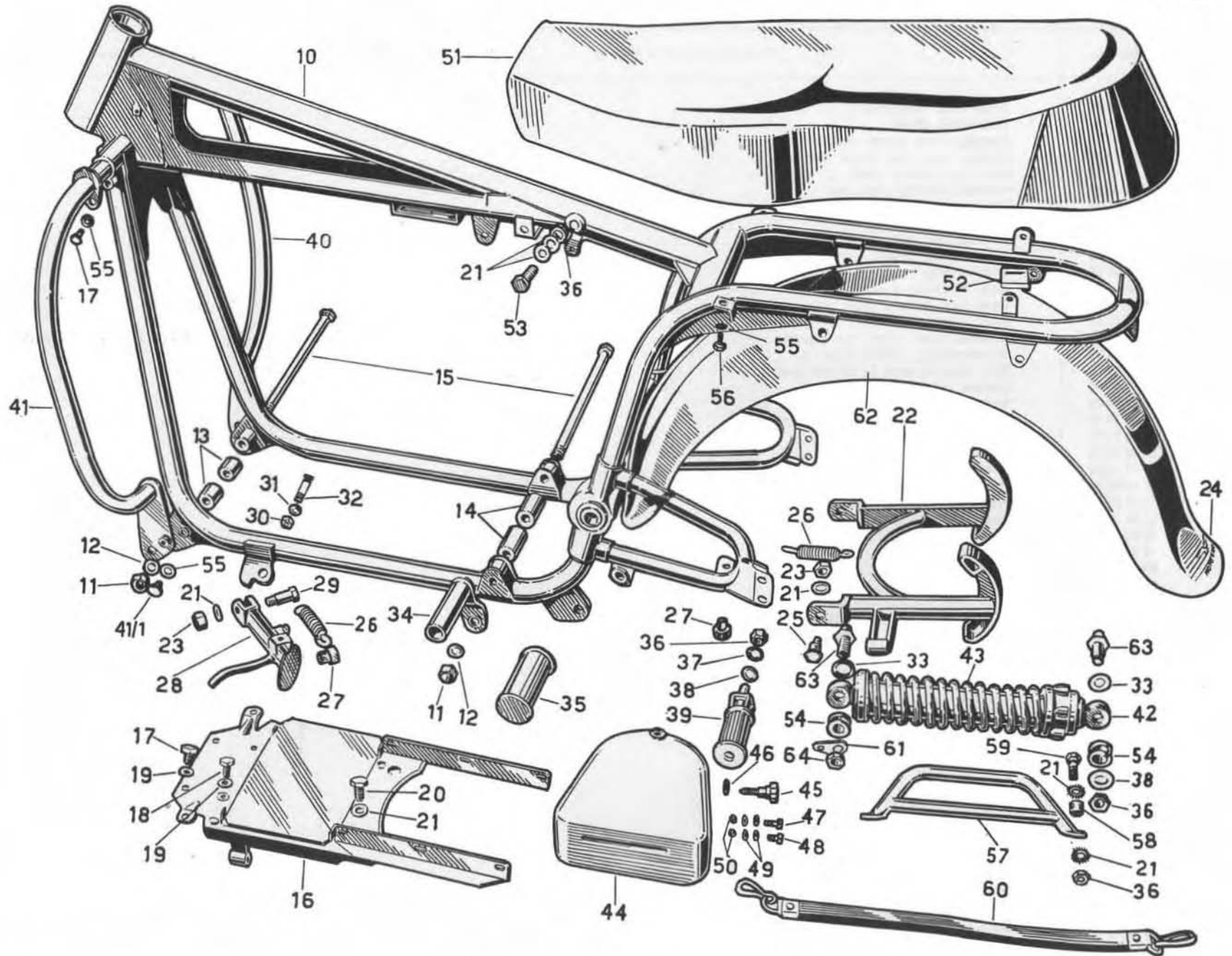


PLATE 12 MODEL: V-7 twin
Front suspension - steering

GROUP: Steering - Front Fork - Front fender

Fig. No.	Order No.	DESCRIPTION	Quantity	Notes
10	12 49 02 21	Front fork, complete	1	
11	12 50 15 00	Instrument panel	1	
12	98 62 03 25	Screw, short, panel securing	2	
13	98 62 03 30	Screw, long, rear panel securing	2	
14	92 70 11 39	Nut, top linking plate	1	
15	95 10 05 21	Washer, linking plate nut	1	
16	12 50 45 00	Plug, fork top	2	
17	90 70 62 22	Seal, top fork plug	2	
18	12 50 46 00	Washer, top fork plug	2	
19	12 49 30 01	Top linking plate	1	
20	12 49 27 00	Rubber ring	2	
21	12 49 23 00	Cap, headlight bracket	2	
22	93 60 10 26	Lock ring, bottom yoke, adjusting	2	SKF-KM5
23	12 49 45 00	Cap, steering tube	1	
24	92 24 92 25	Bearing taper roller, for steering	2	25x52x16.25 RIV 01/02/7205
25	12 49 41 00	Steering tube, bottom yoke	1	
26	92 70 12 52	Nut, steering tube to bottom yoke	1	
27	12 49 42 01	Bottom yoke	1	
28	98 05 36 75	Bolt, handlebar clamp to yoke	2	
29	95 10 14 30	Washer, handlebar clamp bolts to yoke	3	
30	92 70 01 24	Nut, clamp bolt to yoke	2	
30/1	12 49 80 00	Guiding square, front brake cable	1	
30/2	91 55 10 91	Grommet	1	
31	12 49 61 21	Headlight bracket, R/H	1	
32	12 49 62 21	Headlight bracket, L/H	1	
33	12 52 76 00	Bottom plate, headlight bracket	2	
34	12 52 66 00	Spring, fork	2	
35	12 52 77 00	Housing, spring	2	
36	90 40 35 50	Rubber ring	2	
37	12 52 54 00	Fork rod	2	
38	12 52 59 00	Lock ring, bottom link bush	2	
39	12 52 58 00	Bottom bushing, fork link	2	
40	12 52 25 00	Cover, R/H fork, bottom	1	
41	12 52 26 00	Cover, L/H fork, bottom	1	
42	90 70 64 90	Gasket, fork cover	2	
43	90 35 30 46	Circlip, fork cover	2	
	12 52 72 00	Washer, adjusting fork cover 2 ⁷ / ₁₆ "	}	
	12 52 72 01	Washer, adjusting fork cover 2,1 ⁷ / ₁₆ "		
44	12 52 72 02	Washer, adjusting fork cover 2,2 ⁷ / ₁₆ "		
	12 52 72 03	Washer, adjusting fork cover 2,3 ⁷ / ₁₆ "		
	12 52 72 04	Washer, adjusting fork cover 2,4 ⁷ / ₁₆ "		
45	12 52 67 00	Bush, top, fork cover	2	
46	98 11 00 35	Bolt, handlebar clamp on hlight bracket	2	
47	95 10 03 31	Washer, headlight clamp bolt	2	
48	98 30 50 09	Screw, oil drain from forks	2	
49	90 71 40 51	Washer, oil drain screw	2	
50	12 43 43 00	Front fender	1	
51	40 91 78 00	Decal, for front fender	1	
52	12 43 57 00	Stay, top, front fender	1	
53	12 43 59 00	Stay, bottom, front fender	1	
54	98 02 43 12	Screw, stay securing and center plate	8	

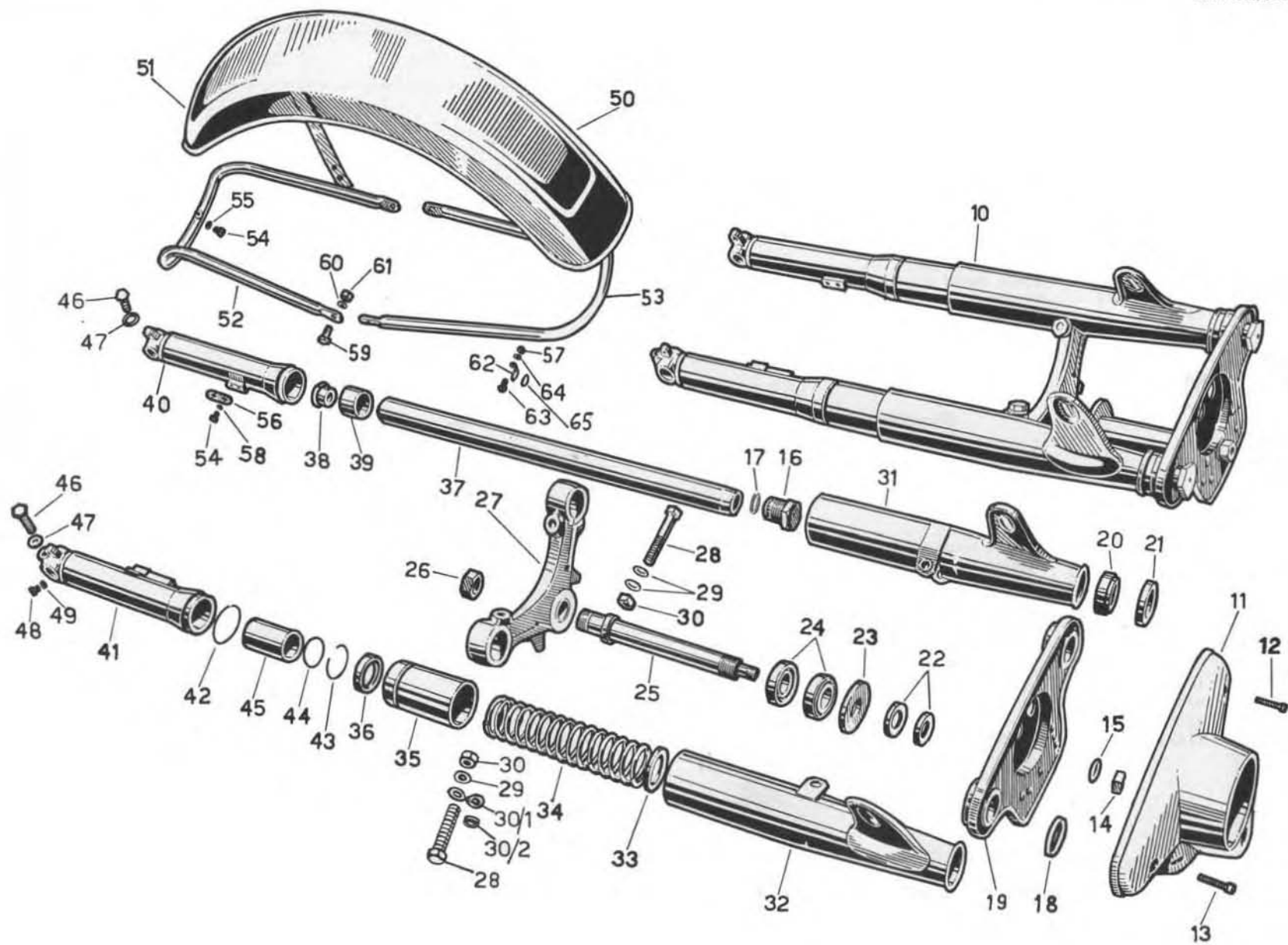


PLATE 12 MODEL: V-7 twin
Front suspension - steering

GROUP: Steering - Front Fork - Front fender

Fig. No.	Order No.	DESCRIPTION	Quantity	Notes
55	95 10 01 21	Washer, stay screws	4	
56	55 43 48 25	Plate, central attachment	2	
57	92 60 24 06	Nut, grommet fixing screw	1	
58	95 10 01 30	Washer, front fender to fork screws	4	
59	98 02 44 22	Screw, front fender to fork	4	
60	95 02 11 08	Washer, front fender to fork screws	4	
61	92 60 22 08	Nut, front fender to fork screws	4	
62	55 43 65 25	Eyelet, cable guide	1	
63	98 34 60 10	Screw, eyelet securing	1	
64	95 02 11 06	Washer, eyelet screw	1	
65	12 74 94 00	Grommet, cable eyelet	1	
 Machines up to frame N. 2715 fit the following: (See catalogue 1st edition)				
14	92 70 11 48	Nut, top linking plate	1	
19	12 49 30 00	Top linking plate	1	
27	12 49 42 00	Bottom yoke	1	
31	12 49 61 20	Bracket, headlight, R/H	1	
32	12 49 62 20	Bracket, headlight, L/H	1	
<p>N.B. - Front fork n. 12 49 02 20 has been removed from use in production and is no longer supplied as spare part. If replacing this on frame 12 40 01 00 it is necessary to order the following:</p>				
10	12 49 02 21	Front fork, complete	1	
14	92 70 11 39	Nut, top linking plate	1	
19	12 49 30 01	Top linking plate	1	
27	12 49 42 01	Bottom yoke	1	

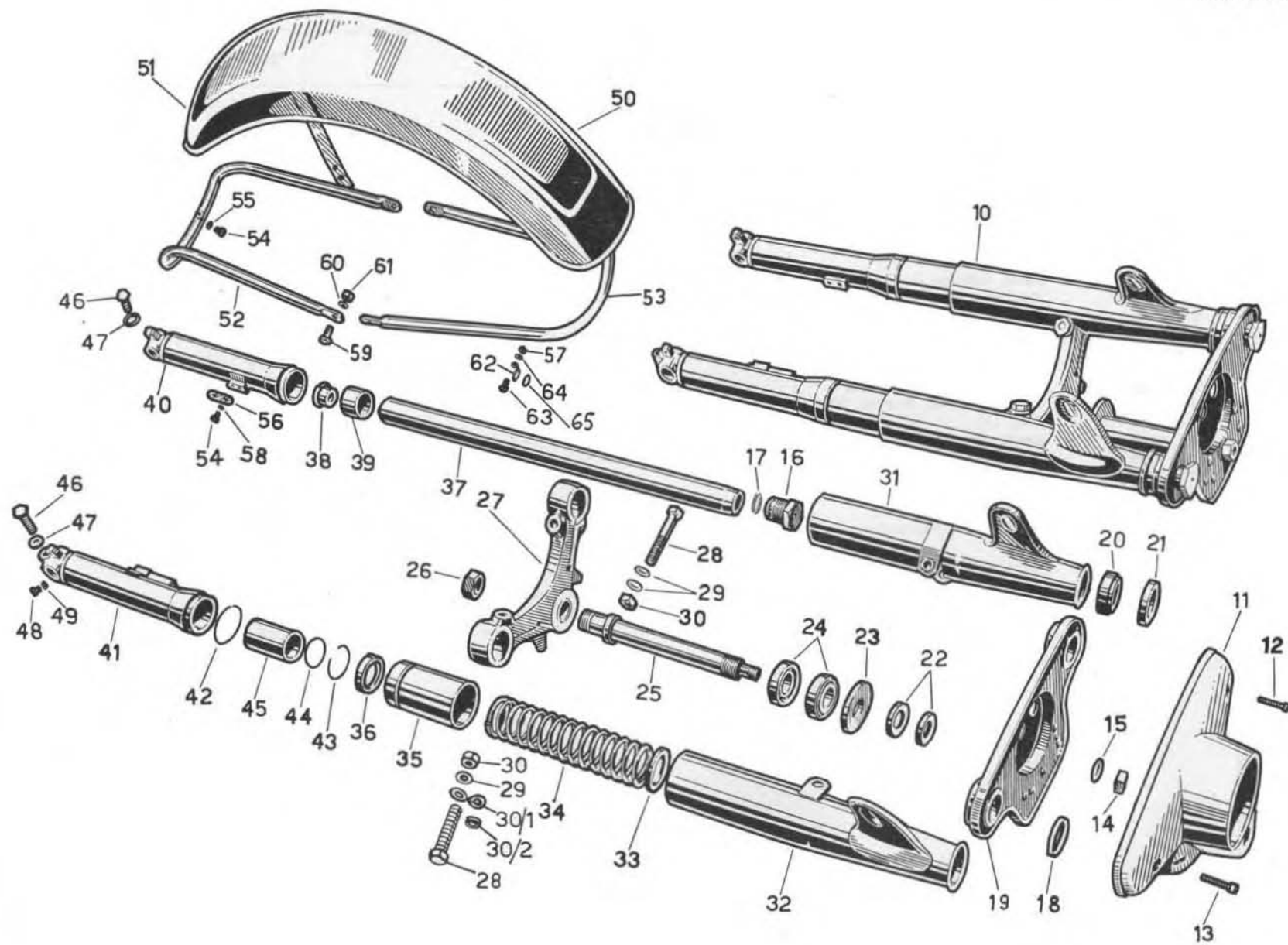


PLATE 13 MODEL: V-7 twin
Steering

GROUP: Handlebar and controls

Fig. No.	Order No.	DESCRIPTION	Quantity	Notes
10	12 60 01 00	Handlebar, c/w control levers	1	
11	12 60 03 00	Handlebar, band only	1	
12	12 60 54 00	Lever, front brake, complete	1	
13	55 60 56 00	Lever, front brake, bare	1	
14	12 60 10 00	Bracket, front lever adjustable	1	
15	98 32 60 17	Screw, front brake and clutch lever securing	2	
16	95 02 11 06	Washer, lever screws	2	
17	92 60 24 06	Nut, lever screws	2	
18	95 70 02 37	Cable, adjuster, front bare and clutch	2	
19	93 76 00 72	Thimble, cable adjusters	2	
20	98 62 03 18	Allen screw, lever to handlebar	2	
21	12 60 55 00	Lever, clutch, complete	1	
22	55 60 57 00	Lever, clutch, bare	1	
23	12 60 19 00	Bracket, adjustable	1	
24	55 60 35 00	Twist grip, throttle control	1	
25	55 60 34 00	Grip, handlebar, throttle, R/H	1	
26	55 60 30 00	Grip, L/H	1	
27	12 11 80 00	Lever, air control	1	
28	99 10 51 00	Screw, air lever to handlebar	1	
29	12 50 02 00	Clamp, handlebar	2	
30	98 02 44 20	Screw, clamp securing	4	
31	95 02 11 08	Washer, clamp screws	4	
32	11 50 07 00	Screw, top clamp securing	4	

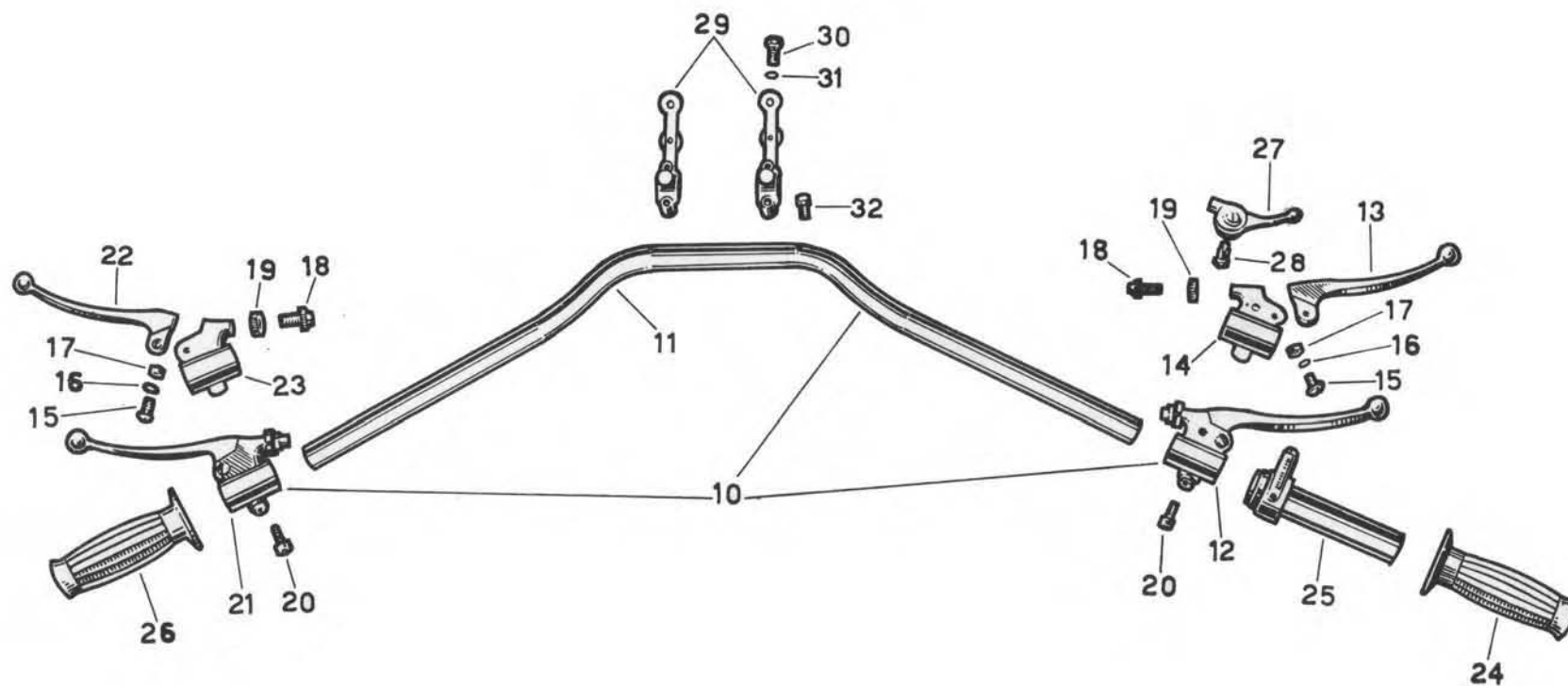


PLATE 14 MODEL: V-7 twin
Wheels - Brakes

GROUP: Front wheel - Wheel hub - Front brake
and control

Fig. No.	Order No.	DESCRIPTION	Quantity	Notes
10	12 61 02 00	Front wheel, complete	1	
11	12 61 03 00	Front wheel, bare c/w bearings	1	
12	12 61 08 00	Rim, front wheel	1	
13	12 61 15 00	Spoke, front wheel, c/w nipple	40	
14	12 61 32 00	Hub, front wheel	1	
15	92 70 01 71	Nut, front wheel spindle	1	
16	95 10 06 28	Washer, front wheel spindle	2	
17	12 61 41 00	Spindle, front wheel	1	
18	12 62 02 00	Cover, rear hub	1	
19	12 62 08 00	Brake shoe, c/w linings	2	
20	12 62 14 00	Lining, brake shoe	2	
21	12 62 09 00	End plate, brake shoe	2	
22	98 28 06 14	Screw, end plate to shoe	4	
23	12 63 81 00	Spring, front brake shoe	2	
24	12 62 32 00	Pin, brake shoe	2	
25	95 10 03 11	Washer, brake shoe pin	2	
26	92 60 22 10	Nut, brake shoe pin	2	
27	12 62 25 00	Cam, front brake shoe	2	
27/1	12 62 54 00	Cable, front brake	1	
28	12 62 53 00	Lever, double acting on cam	1	
29	12 62 50 00	Lever, brake cam	1	
30	98 10 60 22	Bolt, lever to cam	2	
31	12 62 66 00	Rod, c/w fork on operating lever	1	
32	12 62 67 00	Rod	1	
33	12 62 68 00	Fork, rod	2	
34	92 60 22 06	Nut, adjusting, on rod	1	
35	95 78 02 65	Pin, rod to operating lever	2	
36	95 50 02 22	Cotter pin, rod to lever pin	2	
37	95 12 91 10	Washer, lever pin	2	
38	12 62 15 00	Hub cover, R/H	1	
39	90 40 32 49	Seal ring, hub	2	Corteco 32.48.7 BA
40	12 61 52 00	Housing, bearing	2	
41	92 24 69 22	Bearing, roller	2	22x48x15.5 RIV 01/02 4210
42	95 10 07 15	Adjusting washer	2	
43	12 61 53 00	Distance piece, bearings	1	

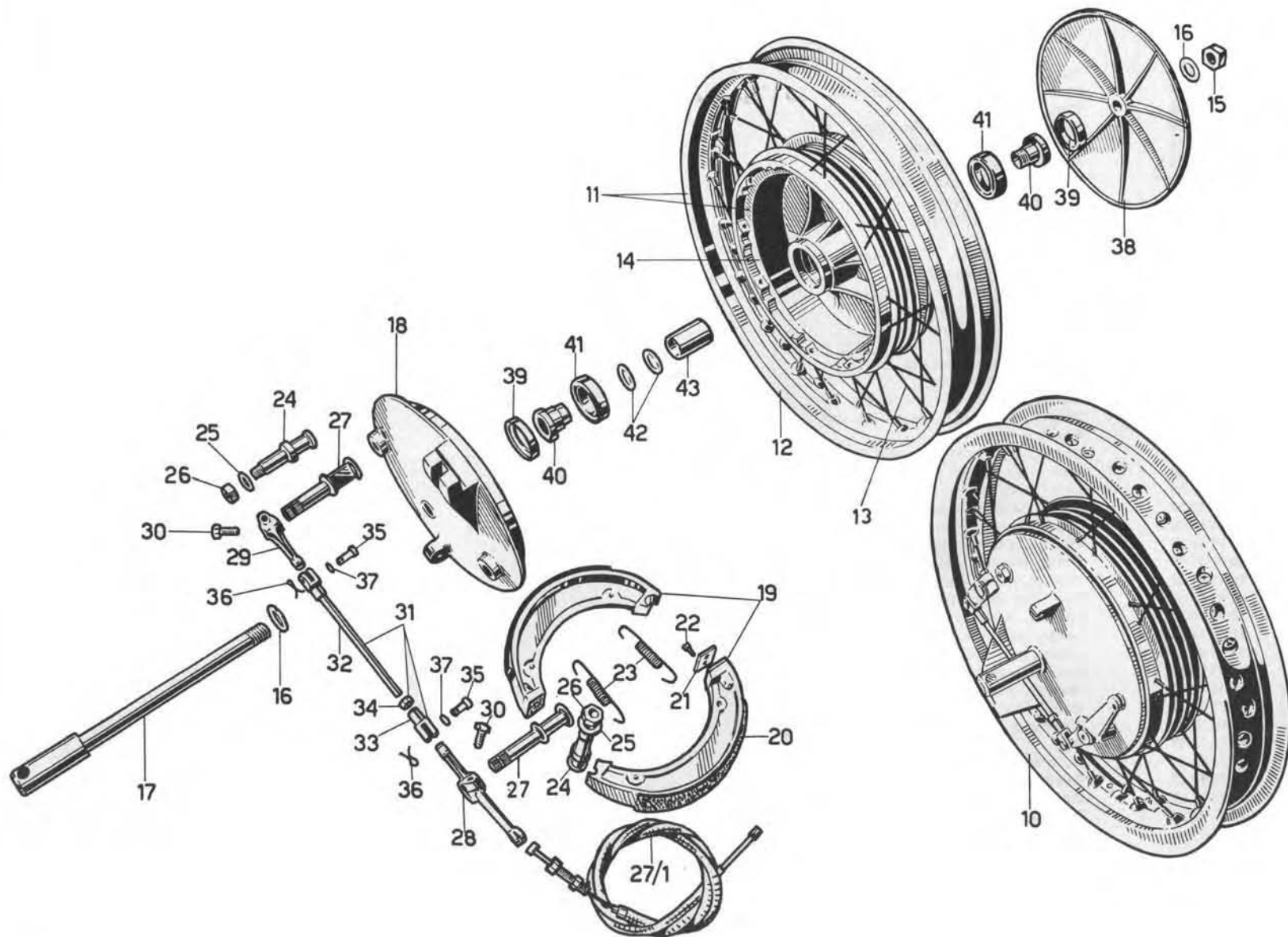


PLATE 15 MODEL: V-7 twin
Wheels - Brakes

GROUP: Rear wheel - Hub - Rear brake and
control

Fig. No.	Order No.	DESCRIPTION	Quantity	Notes
10	12 63 02 00	Rear wheel, complete	1	
11	12 63 05 00	Rear wheel, bare c/w bearings	1	
12	12 61 08 00	Rim, rear wheel	1	
13	12 61 15 00	Spoke, rear wheel, c/w nipple	40	
14	12 63 30 00	Brake drum, rear wheel	1	
15	92 70 01 71	Nut, rear wheel spindle	1	
16	95 10 06 28	Washer, rear wheel spindle	2	
17	12 63 33 00	Spindle, rear wheel	1	
18	12 63 41 00	Spacer, wheel spindle	1	
19	12 63 52 00	Hub cover	1	
20	12 63 74 00	Shoe, rear brake, c/w linings and end plates	2	
21	12 62 14 00	Lining, rear brake shoe	2	
22	12 62 09 00	End plates, rear brake shoes	2	
23	98 28 06 14	Screw, plate securing	2	
24	12 63 82 00	Spring, brake shoe	2	
25	12 63 62 00	Pin, brake shoe	1	
26	95 10 05 21	Washer, brake shoe pin	1	
27	92 70 11 48	Nut, brake shoe pin	1	
28	12 63 66 00	Tie rod, hub cover anchoring	1	
29	95 02 11 10	Washer, hub cover anchoring rod	2	
30	92 60 22 10	Nut, hub rod	2	
31	98 11 00 20	Screw, rod securing to rear fork	1	
32	12 62 25 00	Cam, rear brake shoe	1	
33	12 63 96 00	Lever, rear brake cam	1	
34	98 10 60 22	Screw, lever to cam	1	
35	95 73 02 60	Thumb screw, rear brake rod	1	
36	95 71 63 65	Pin, for lever on hub cover	1	
37	95 50 02 22	Cotter pin, tie rod retaining on shoe pin	1	
38	95 10 01 37	Washer, rod to shoe pin	1	
39	12 67 60 00	Rod, rear brake control	1	
40	12 67 65 00	Spindle, c/w lever	1	
41	12 67 70 00	Lever, rear brake control	1	
42	98 10 60 28	Screw, rear brake pedal to spindle	1	
43	92 60 50 08	Nut, central body fixing bolt	6	
44	95 10 12 31	Washer, central body fixing bolt	6	
45	98 10 80 38	Bolt, central body securing	6	
46	12 63 32 00	Central body	1	
47	90 40 32 49	Seal	2	
48	12 61 52 00	Housing, taper roller bearing	2	Corteco 32.48.7 7 BA
49	92 24 69 22	Bearing, hub, taper roller	2	22x48x15.5 RIV 01/02/4210
50	95 10 07 15	Washer, bearing-spacer	2	
51	12 63 40 00	Spacer, hub bearings	1	

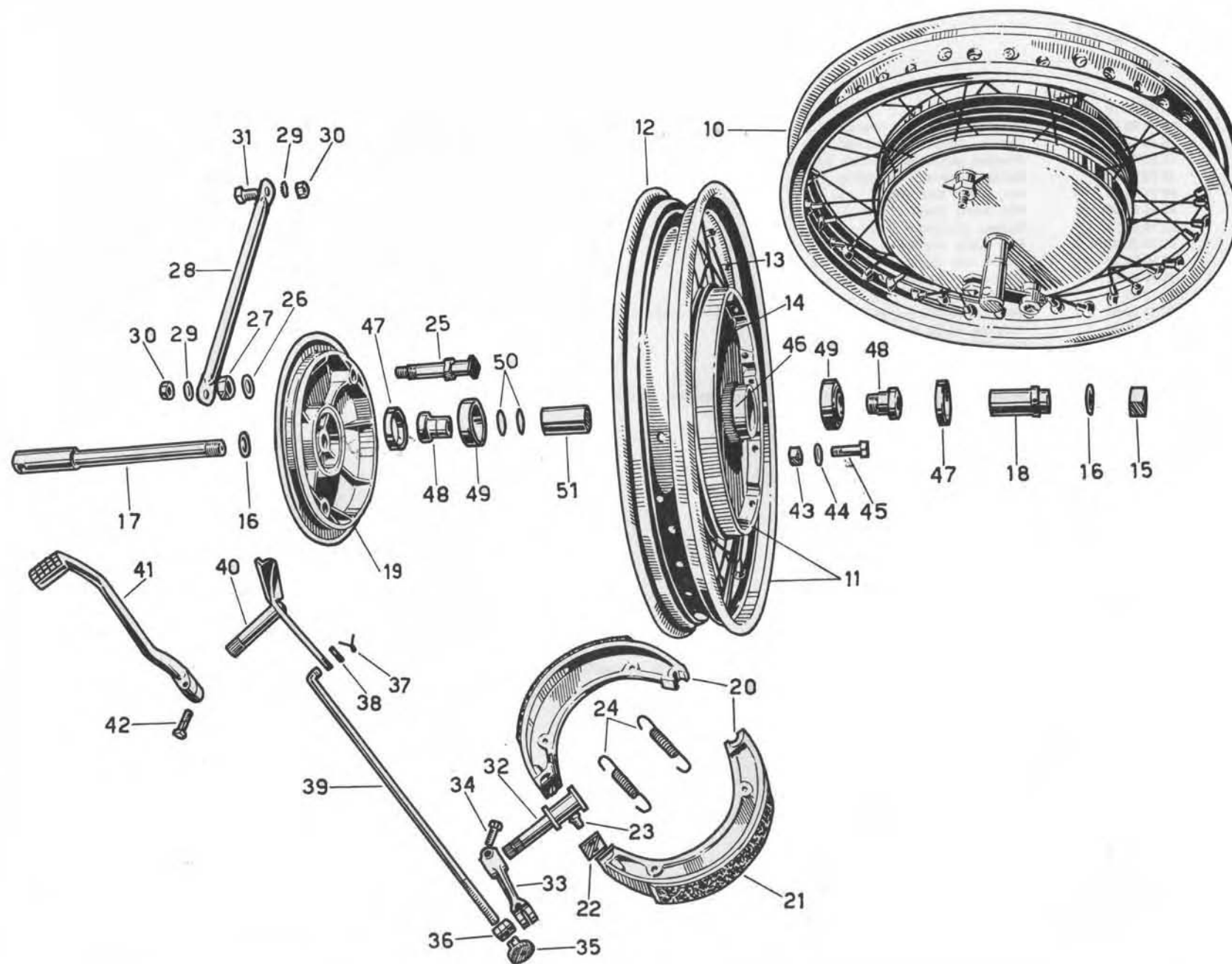


PLATE 16 MODEL: V-7 twin
Electrical equipment

GROUP: Ignition and lighting

Fig. No.	Order No.	DESCRIPTION	Quantity	Notes
10	12 70 02 00	Generator	1	Marelli DN 62 M
11	12 70 03 00	Bracket, generator support	1	
12	98 02 44 20	Screw, generator bracket	2	
13	95 02 11 08	Washer, generator bracket, coil and horn screw	5	
14	12 70 07 00	Band, generator securing	2	
15	95 71 62 80	Pin, band, threaded	1	
16	95 71 63 80	Pin, band, plain	1	
17	99 10 51 27	Screw, generator band	1	
18	12 70 09 00	Pin, band securing	2	
19	95 50 02 22	Cotter pin, band securing pin	4	
20	12 70 06 00	Cover, generator, R/H	1	
21	12 70 06 05	Cover, generator, L/H	1	
22	98 10 60 09	Bolt, generator cover and bottom number plate securing	6	
23	95 02 11 06	Washer, cover securing bolt	4	
24	12 70 38 01	Regulator (for generator DN 62 M)	1	Marelli IR 50BA
25	12 70 41 00	Bracket, regulator	1	
26	98 02 44 22	Screw, regulator bracket	2	
27	95 10 12 31	Washer, regulator and distributor brackets screws, and coil screws	6	
28	92 60 22 08	Nut, regulator bracket, coil and horn screws	5	
29	12 70 25 00	Belt, generator	1	Pirelli 60404/A
30	12 71 57 00	Bracket, distributor	1	
31	12 71 59 00	Gasket, distributor bracket	1	
32	98 05 44 25	Screw, bracket retaining	2	
33	12 71 54 00	Distributor	1	Marelli S 123 A
34	12 71 62 00	Gear, distributor	1	
35	95 51 03 18	Pin, distributor gear fixing	1	
36	98 10 60 21	Screw, distributor fixing	1	
37	95 10 01 37	Washer, distributor screw	1	
38	12 71 65 00	Coil, ignition	1	Marelli BE 200 D
39	98 02 44 12	Screw, coil securing	2	
40	12 70 42 00	Gasket, battery support	1	
41	12 71 78 00	H. T. Lead, distributor to coil	1	
42	12 71 76 00	Cap, H. T. lead, coil end	1	
43	45 71 76 00	Cap, distributor to coil, spark plug leads, and oil pressure solenoid	4	
44	12 71 83 00	H. T. Lead, distributor to right spark plug	1	
45	12 71 74 00	Cap, spark plug	2	Bosch EM/WB1/11
46	12 71 85 00	H. T. Lead, distributor to left spark plug	1	
47	55 71 70 00	Spark plug, n. 225 Bosch-Marelli scale on equivalent	2	
48	12 71 93 00	L. T. Lead, distributor to coil	1	
49	12 73 07 00	Starter motor	1	Marelli MT 40H - 0,7 HP 12 V
50	12 74 94 00	Grommet	2	
51	12 70 30 00	Cap, large	2	
52	12 70 29 00	Cap, small	5	
53	25 70 71 00	Cap	1	
54	25 70 45 00	Battery	1	12 V - 32 Ah

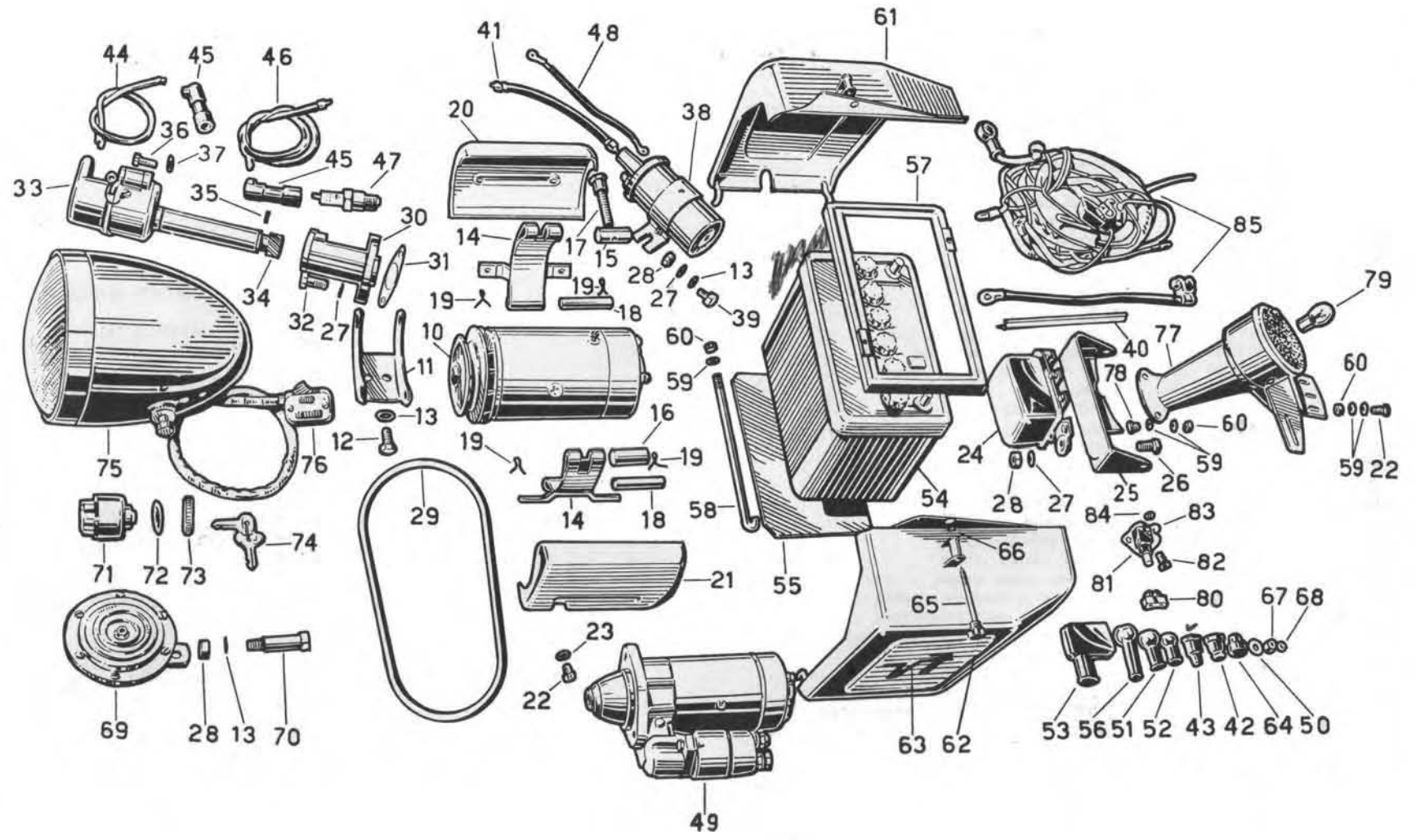


PLATE 16 MODEL: V-7 twin
Electrical equipment

GROUP: Ignition and lighting

Fig. No.	Order No.	DESCRIPTION	Quantity	Notes
55	12 70 56 00	Gasket, battery	1	
56	26 70 67 00	Cap	1	
57	12 70 46 01	Bracket, battery holder	1	
58	12 70 55 00	Stud, battery securing	2	
59	95 10 01 30	Washer, battery stud and number plate fixing bolts	10	
60	92 60 22 06	Nut, battery studs and number plate bolts	6	
61	12 70 52 00	Cover, battery, R/H	1	
62	12 70 54 00	Cover, battery, L/H	1	
63	12 91 78 00	Decal, V-7	2	
64	12 34 30 00	Rubber pad	4	
65	12 70 66 00	Screw, cover locking	2	
66	90 28 00 05	Washer, cover locking screw	2	
67	12 70 68 00	Rubber ring	1	
68	71 55 10 81	Rubber ring	1	
69	12 74 37 00	Horn	1	Marelli T 12 DE/F
70	98 62 04 20	Bolt, horn	1	
71	12 73 53 00	Switch, ignition key, 25 Amp.	1	Marelli Q 161 C
72	90 70 62 50	Gasket, ignition key switch	1	
73	12 73 54 00	Lock ring, ignition key switch	1	
74	12 73 55 00	Ignition key	2	
75	12 74 05 20	Headlight, c/w switch	1	CEV 4501
76	12 74 60 20	Light switch, on handlebar	1	CEV 8142.4
77	12 47 49 20	Number plate, c/w tail light	1	
78	98 10 60 17	Screw, top number plate securing	2	
79	93 45 02 24	Bulb, tail lamp	1	20 SF - 20/5, 12 V
80	55 74 91 85	Terminal block, 2 connections	1	
81	55 74 11 00	Stop cutout	1	
82	98 30 50 17	Screw, cutout securing	2	
83	95 10 00 55	Washer, cutout screws	2	
84	92 70 00 50	Nut, stop cutout screws	2	
85	12 74 73 20	Cable ass. y, headlight - switch	1	
	12 74 71 00	Cable ass. y, main connections	1	
	12 74 72 00	Cable ass. y, headlight to instrument panel	1	
	12 74 75 00	Cable from stop lamp	1	
	12 74 77 00	Cable regulator to earth	1	
A	12 74 79 00	Cable from battery (-)	1	
	12 74 74 20	Cable, headlight, internal connections	1	
	12 73 57 50	Ignition key cover	1	

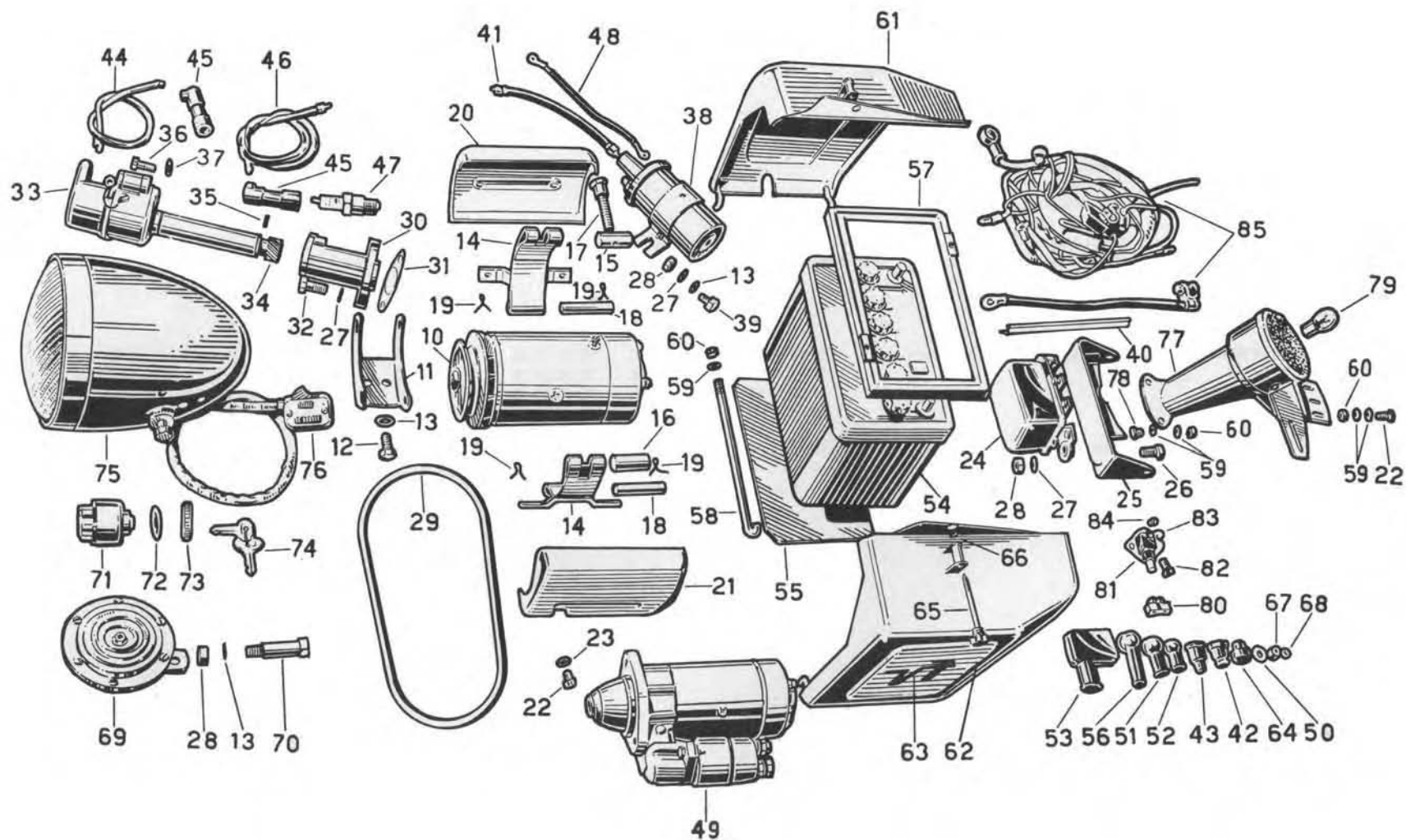


PLATE 17 MODEL: V-7 twin
Tool kit

GROUP: Tool kit and gasket sets

Fig. No.	Order No.	DESCRIPTION	Quantity	Notes
10	55 90 19 00	Wrench, box, 19/21/22 mm.	1	
11	12 90 10 00	Wrench, open ended, 17/19 mm.	1	
12	12 90 08 00	Wrench, open ended, 10/11 mm.	1	
13	55 90 04 00	Wrench, open ended, tappet adjusting	1	
14	25 90 21 00	Wrench, box, 8/9 mm.	1	
15	55 90 24 00	Allen key, 5 hex	1	
16	25 90 20 00	Wrench, box, 10/14 mm.	1	
17	25 90 55 00	Pliers, universal	1	
18	25 90 56 00	Wrench, adjustable	1	
19	55 90 50 00	Screwdriver	1	
20	12 90 11 00	Wrench, ring, 27 mm.	1	
21	12 91 45 00	Tool bag	1	
22	12 91 27 00	Lock ring adjusting tool for rear dampers	1	
23		Instruction booklet	1	
A	12 99 90 00	Gasket set including parts n. 12 02 37 00, 12 02 08 00, 12 01 18 00, 12 00 12 00, 12 00 36 00, 12 15 91 00, 12 15 32 00, 12 00 76 00, 12 20 11 00, 12 20 15 00, 12 20 77 00, 12 35 26 00, 12 35 29 00, 12 35 07 00, 12 71 59 00, (19 pcs.)	1	
B	12 99 95 00	Seal set including: 90 40 38 50, 90 40 53 68, 90 44 35 47, 90 40 25 35, 90 40 70 85, 90 40 38 50, 90 40 30 40, 90 40 35 50, 90 40 32 49, (14 pcs.)	1	

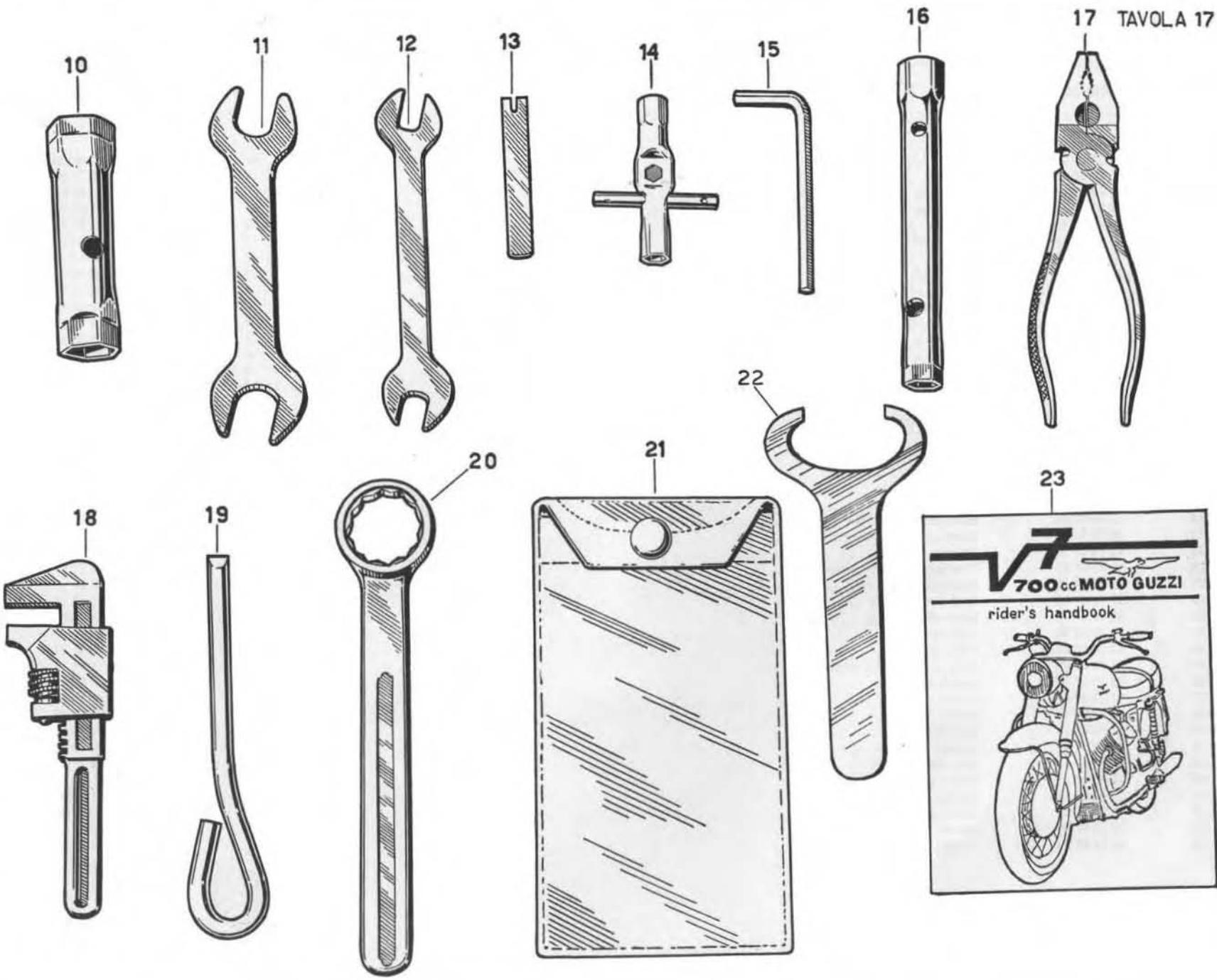


Fig. No.	Order No.	DESCRIPTION	Quantity	Notes Marelli Order No.
—	12 73 07 00	Starter motor MT 40 H	—	63 21 40 08
1	25 73 07 12	Starting ratchet cover	1	72 30 27 03
2	25 73 07 15	Adjusting washer (0,3 mm.)	1	95 21 01 67
	12 73 07 11	Adjusting washer (0,5 mm.)		95 21 01 68
3	12 73 07 13	Cupped washer	2	95 21 51 11
4	25 73 07 15	Flat washer	1	95 21 01 68
5	12 73 07 54	Circlip	1	95 10 60 14
6	12 73 07 17	Lock ring	1	72 30 26 10
7	12 73 07 16	Starting dogs ass. y with lever	1	72 30 21 01
8	12 73 07 30	Lever pin	1	72 29 44 03
9	12 73 07 35	Cotter pin	1	90 02 52 61
10	25 73 07 28	Retaining block	1	70 55 89 10
11	12 73 07 21	Casing with brush holder (not supplied as spare part)	1	70 26 66 04
		Casing with coil field ass. y		70 26 67 04
12	12 73 07 41	Armature	1	72 30 18 01
13	25 73 07 43	Washer	1	90 06 73 52
14	25 73 07 44	Tab washer MT 35/901-1	1	74 35 38 31
15	12 73 07 42	Washer	2	95 00 51 43
16	25 73 07 45	Spring	1	95 12 30 07
17	12 73 07 46	End cover	1	70 26 69 09
18	12 73 07 23	Spring washer	2	90 02 40 06
19	12 73 07 15	Cover fixing nut	2	90 00 10 61
20	12 73 07 26	Solenoid IE 13 DA	1	63 63 13 47
21	12 73 07 49	Solenoid fixing screw	2	90 11 10 53
22	25 73 07 39	Spring washer	2	90 02 40 07
23	12 73 07 51	Starting ratchet cover bush	1	95 06 71 13
24	12 73 07 55	Ratchet cover stud	2	95 10 10 11
25	12 73 07 56	Coll field ass. y	1	72 30 17 01
26	12 73 07 72	Insulating rubber	1	74 35 43 21
27	12 73 07 78	Coll terminal	1	74 35 41 31
28	12 73 07 57	Pole shoe	4	74 35 41 21
29	25 73 07 58	Pole shoe fixing screw	4	90 11 71 14
30	25 73 07 71	Brush holder	1	74 35 40 41
31	12 73 07 47	Brush	4	74 40 16 30
32	25 73 07 48	Brush spring	4	74 40 14 80
33	12 73 07 36	Terminal nut	1	90 00 10 51
34	12 73 07 60	Spring washer	1	90 02 40 05
35	25 73 07 51	End cover bush	1	95 06 71 13
36	12 73 07 64	Flat washer for solenoid	1	90 05 90 31
37	12 73 07 63	Spring washer for solenoid	2	90 02 40 08
38	12 73 07 40	Nut for main terminal	2	90 00 30 31
39	12 73 07 65	Screw for terminal 50 c	1	90 03 81 31
40	12 73 07 23	Spring washer	1	90 02 40 06

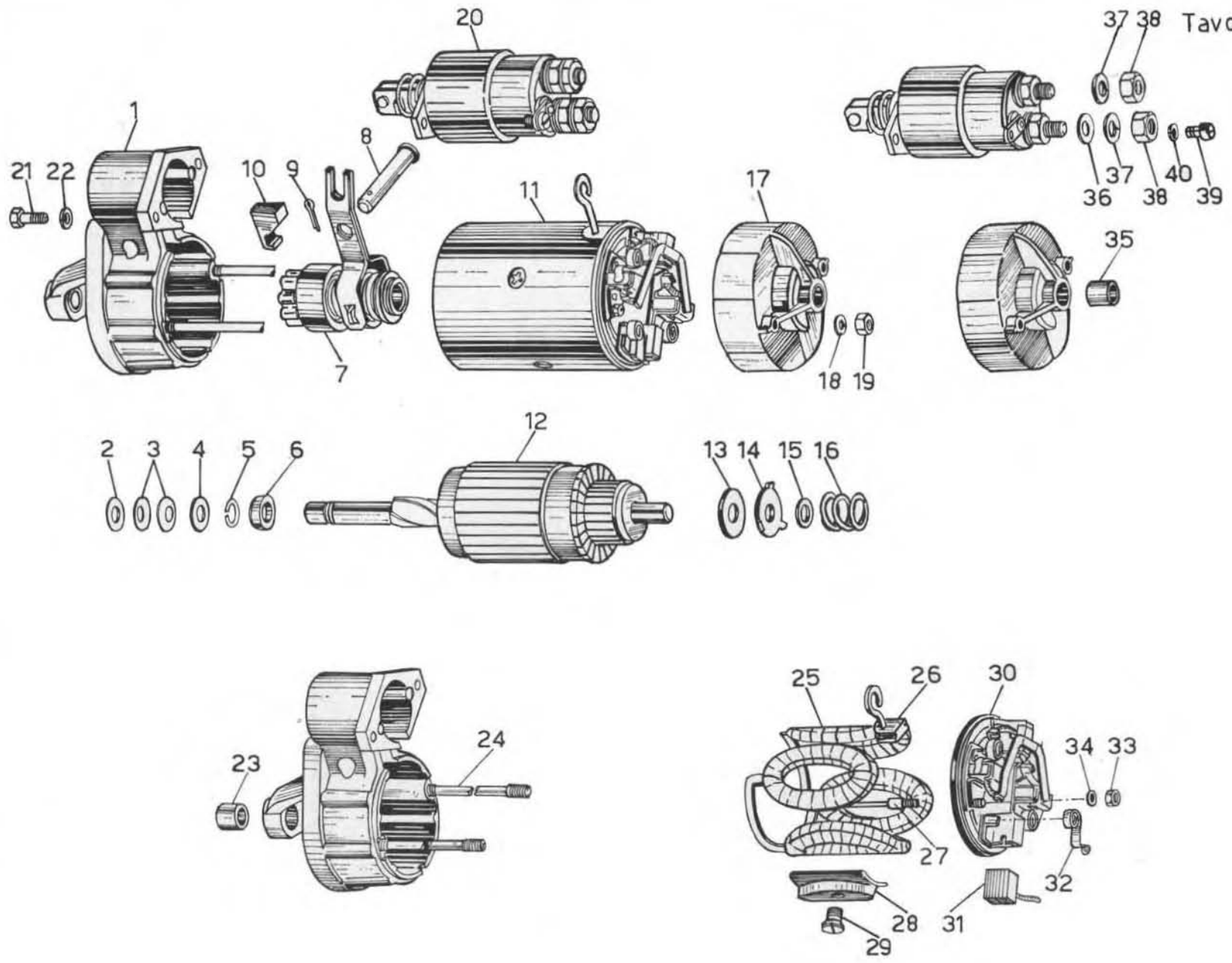


Fig. No.	Order No.	DESCRIPTION	Quantity	Notes Marelli Order No.
—	12 70 02 00	Generator DN 62 M, complete	—	63 03 62 11
1	12 70 02 23	Stud	2	95 15 81 06
2	12 70 02 19	End cover	1	70 59 96 01
3	12 70 02 14	Spring washer	1	74 34 67 81
4	12 70 02 17	Ball bearing	1	95 18 12 09
5	12 70 02 16	Grease retainer	1	74 34 76 81
6	12 70 02 59	Bearing retaining ring	1	74 34 76 91
7	12 70 02 28	Generator body c/w coils	1	72 00 59 02
8	12 70 02 43	Flat washer	1	90 05 61 81
9	12 70 02 26	Ball bearing	1	95 18 12 29
10	12 70 02 60	Spring washer	1	72 01 37 10
11	12 70 02 39	Brush holder assembly	1	72 12 15 01
12	25 73 07 39	Spring washer	2	90 02 40 07
13	12 70 02 31	Cover fixing nut	2	90 00 30 21
14	12 70 02 25	Armature	1	72 00 40 01
15	12 70 02 12	Grease retainer	1	74 34 76 71
16	12 70 02 51	Shim (0,1 mm.)	} as required	90 05 63 11
	12 70 02 52	Shim (0,2 mm.)		90 05 63 21
17	12 70 02 53	Spacer	1	95 21 61 23
18	12 70 02 55	Woodruff key	1	90 07 10 71
19	12 70 02 54	Pulley with fan	1	70 56 48 10
20	12 70 02 56	Spring washer	1	90 02 40 10
21	12 70 02 57	Pulley securing nut	1	90 00 40 31
22	12 70 02 47	Feed oil with square terminal	1	72 12 13 01
23	12 70 02 58	Grounding cable connector	1	70 54 68 10
24	12 70 02 18	Field coil with small terminal	1	72 12 13 02
25	12 70 02 49	Pole shoe	2	70 54 37 10
26	12 70 02 48	Pole shoe screw	2	90 11 73 04
27	12 70 02 27	DF terminal screw	1	70 54 69 11
28	12 70 02 46	Insulating block	2	70 54 38 10
29	12 70 02 41	Flat washer	1	90 02 30 61
30	12 73 07 60	Spring washer	2	90 02 40 05
31	12 70 02 36	Terminal nut	2	90 00 11 61
32	12 70 02 24	Locating dowel	1	95 03 80 09
33	12 70 02 44	Insulating washer	1	90 06 62 11
34	12 70 02 42	Flat washer	1	90 02 20 81
35	12 73 07 23	Spring washer	2	90 02 40 06
36	12 70 07 46	Terminal securing nut	1	90 00 30 11
37	12 70 02 45	Terminal end nut	1	90 06 10 61
38	12 70 02 38	Brush	2	72 00 43 01
39	12 70 02 37	Brush spring	2	70 21 47 10
—	12 70 38 01	Regulator IR 50 BA, complete	1	63 41 50 02
40	12 70 38 02	Screw for terminals D+/61 DF and DF and D-/31	3	95 10 50 13
41	12 73 07 23	Spring washer	3	90 02 40 06
42	12 70 38 04	Screw for DF terminal	1	74 40 17 80
43	12 70 07 35	Toothed washer	1	90 05 20 61

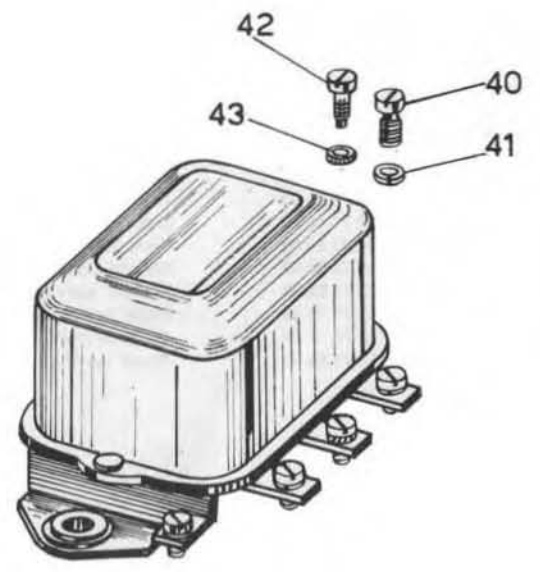
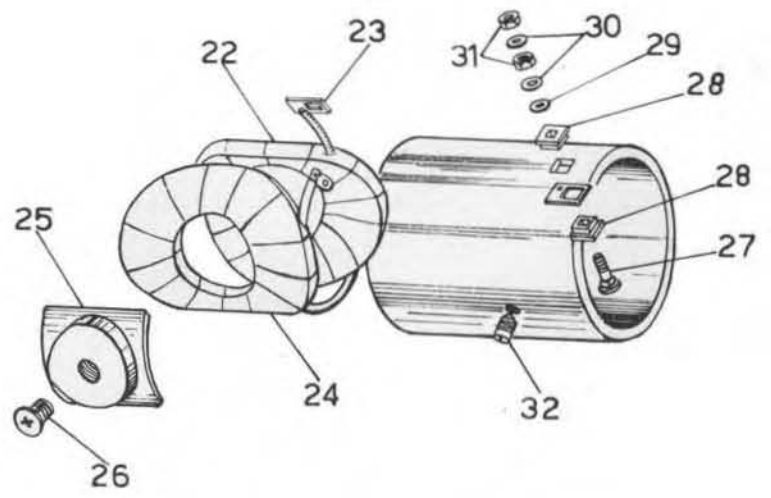
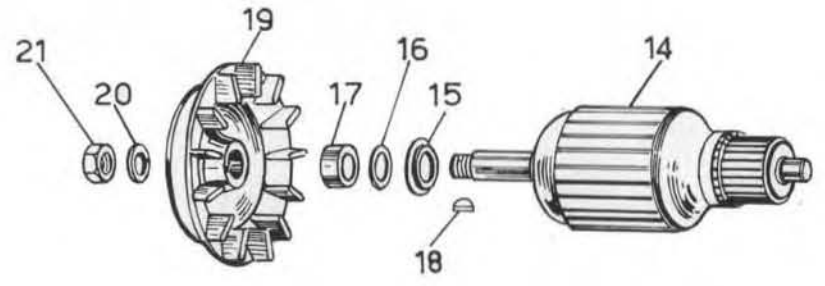
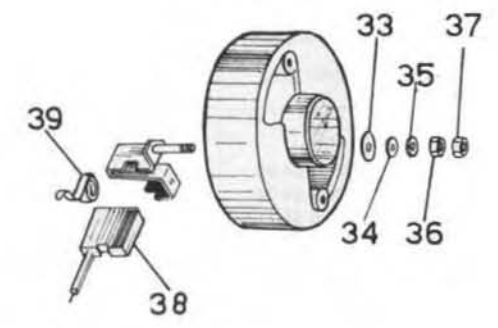
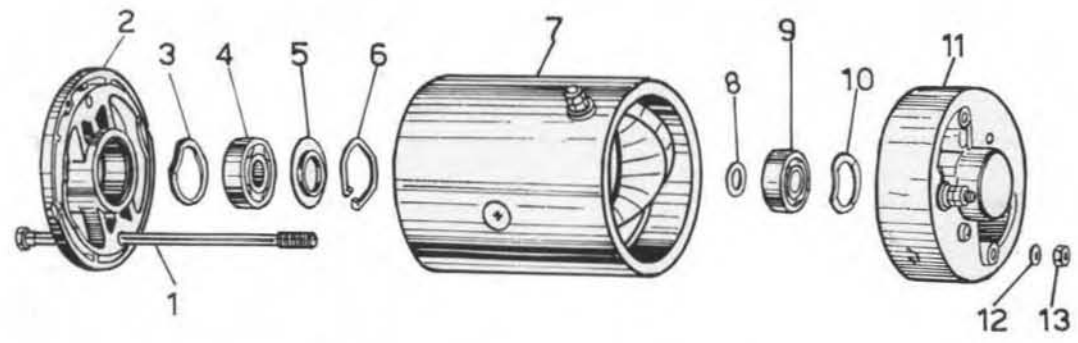


Fig. No.	Order No.	DESCRIPTION	Quantity	Notes Marelli Order No.
—	12 71 54 00	Distributor S 123 A, complete	—	61 01 23 01
1	12 71 54 10	Housing with bushings	1	70 41 12 04
2	12 71 54 11	Bakelite washer	1	95 01 21 94
3	12 71 54 12	Fiat washer	1	95 00 52 14
4	12 71 54 13	Automatic advance ass. y	1	71 02 37 02
5	12 71 54 14	Spacer	1	95 21 01 56
6	12 71 54 15	Shim (0,1 mm.)	as required	90 05 91 11
	12 71 54 16	Shim (0,2 mm.)	as required	90 05 91 21
	12 71 54 17	Shim (0,5 mm.)	as required	90 05 91 31
7	12 71 54 18	Driving pinion	1	71 09 38 10
8	12 71 54 19	Pinion securing peg	1	90 02 70 61
9	12 71 54 20	Contact breaker unit, complete	1	70 41 21 01
10	12 71 54 21	Condensor CE 29 D	1	56 18 11 03
11	12 73 07 60	Spring washer	1	90 02 40 05
12	12 71 54 23	Condensor fixing screw	1	90 02 80 31
13	12 71 54 24	Cap securing spring	2	74 32 78 71
14	12 71 54 25	Cap spring fixing screw	2	95 13 11 04
15	12 71 54 26	Terminal bolt	1	91 21 51 01
16	12 71 15 27	Insulating plate	1	91 02 40 01
17	12 71 54 28	Insulating block	1	91 02 30 02
18	12 71 54 29	Fiat washer	2	90 05 83 52
19	12 73 07 23	Spring washer	2	90 02 40 06
20	12 71 54 30	Terminal nut	2	95 05 50 26
21	12 71 54 31	Distributor rotor	1	70 18 95 03
22	12 71 54 32	Distributor cap	1	71 03 72 02
23	12 71 54 33	Carbon brush	1	91 06 60 01
24	12 71 54 34	Seal	1	95 20 71 09
24/1	12 71 54 35	Shaft	1	71 02 38 02
25	12 71 54 36	Advance weight	1	71 09 00 10
26	12 71 54 37	Ball retaining spring	1	95 22 61 15
27	12 71 54 38	Ball	1	95 16 31 01
28	12 71 54 39	Cam	1	71 09 33 01
29	12 71 54 40	Cam retaining screw	1	95 11 42 02
30	12 71 54 41	Cam felt pad	1	95 20 01 27
31	12 71 54 42	Weight spring, 8 coils	1	95 12 80 44
	12 71 54 43	Weight spring, 9 coils	1	95 20 51 75
32	12 71 54 44	Plate complete with pin	1	70 41 22 01
33	12 71 54 45	Contact breaker set	1	71 00 67 01
34	12 71 54 46	Fixed point plate screw	1	95 08 61 08

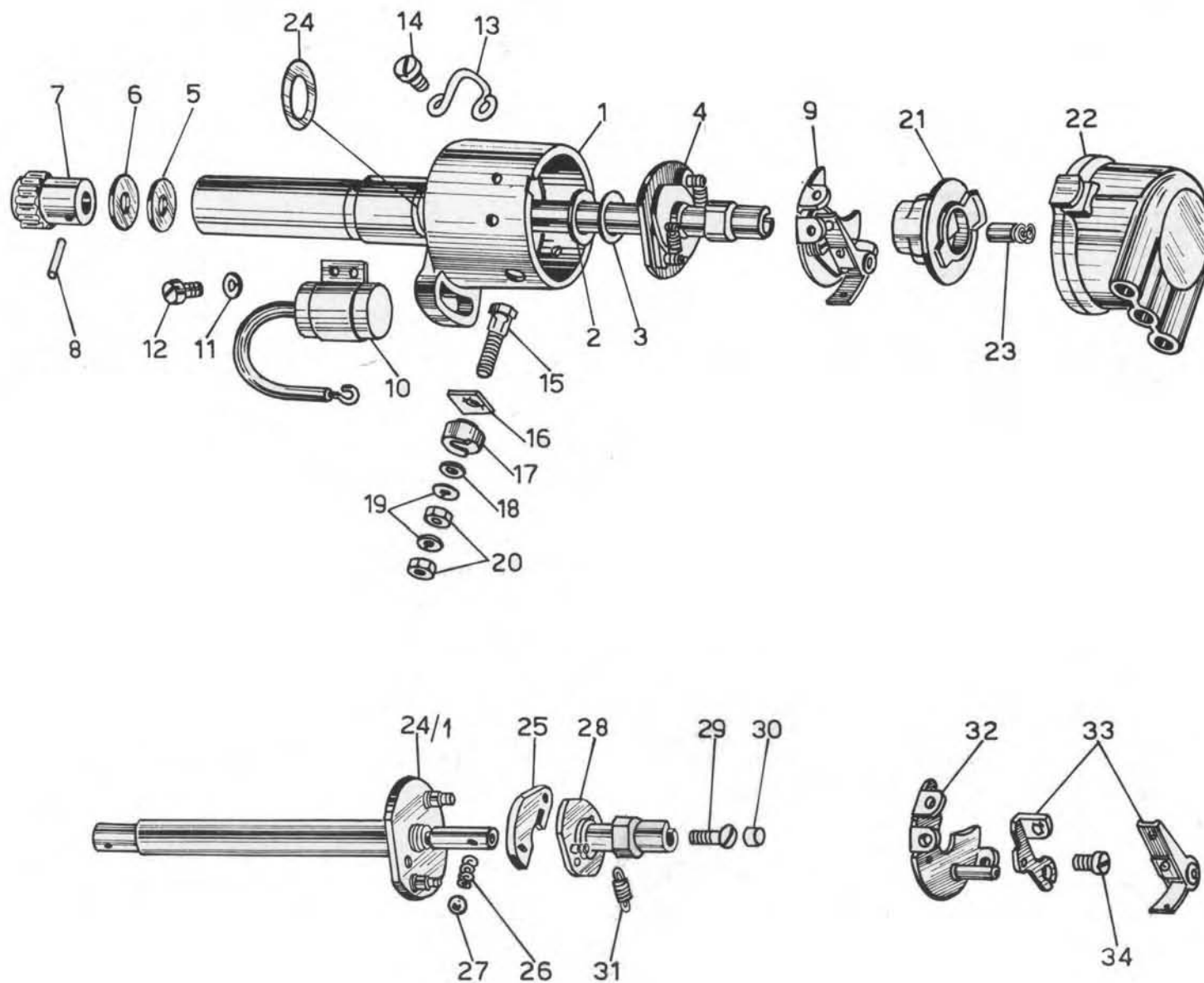


Fig. No.	Order No.	DESCRIPTION	Quantity	Notes Marelli Order No.
—	12 74 37 00	Electric horn T 12 DE/F	1	64 27 35 66
1		Body (not supplied as spare part)	1	
2	12 74 37 10	Gasket 0,1 mm.	(°)	72 81 80 11
	12 74 37 11	Gasket 0,2 mm.	(°)	72 81 80 10
	12 74 37 12	Gasket 0,3 mm.	(°)	72 81 80 12
3	12 74 37 13	Diaphragm	1	72 81 95 04
4	12 74 37 11	Gasket	1	72 81 80 10
5	12 74 37 14	Lock ring	1	72 82 34 14
6	12 74 37 15	Lock ring screw	6	95 10 50 17
7	12 74 37 16	Toothed washer	1	95 21 51 45
8	12 74 37 17	Bracket	1	72 82 20 03
9	12 74 37 18	Bracket fixing nut	1	90 00 10 81
10	12 74 37 19	Terminal screw	2	95 03 80 10
11	12 74 37 20	Threaded block	2	72 82 67 10
12	12 74 37 21	Junction box	1	72 82 66 10
13	12 74 37 22	Washer	2	95 20 21 85
14	12 74 37 23	Flat washer	2	95 00 50 27
15	12 74 37 24	Breaker ass. y	1	70 29 75 07
16	12 73 07 60	Spring washer	1	90 02 40 05
17	12 74 07 25	Breaker fixing screw	1	90 02 80 21
18	12 74 37 26	Breaker adjusting screw	1	74 50 04 51
19	12 74 37 27	Washer	1	95 21 41 12
20	12 74 37 28	Washer cup	1	74 50 06 50
21	12 74 37 29	Adjusting screw spring	1	95 12 30 21

(°) Quantity determined on assembly to obtain a core of about 0,45 mm. (.017")

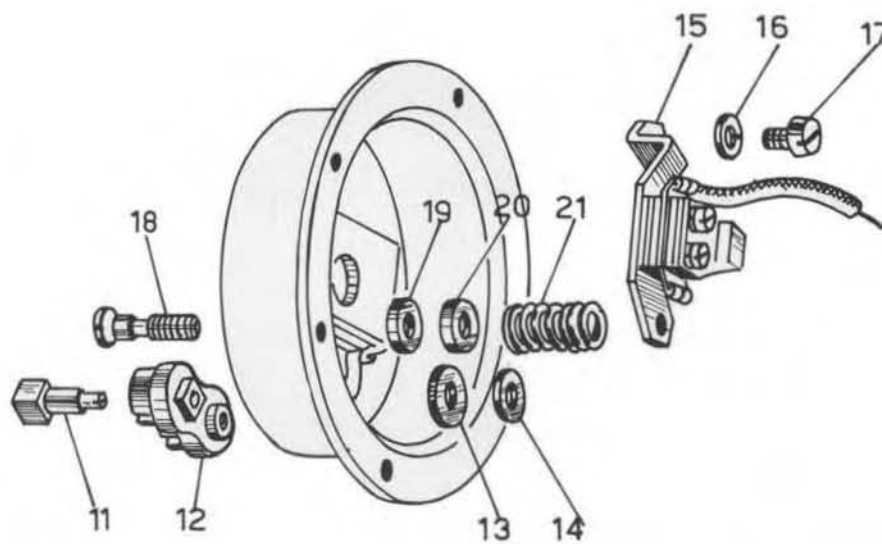
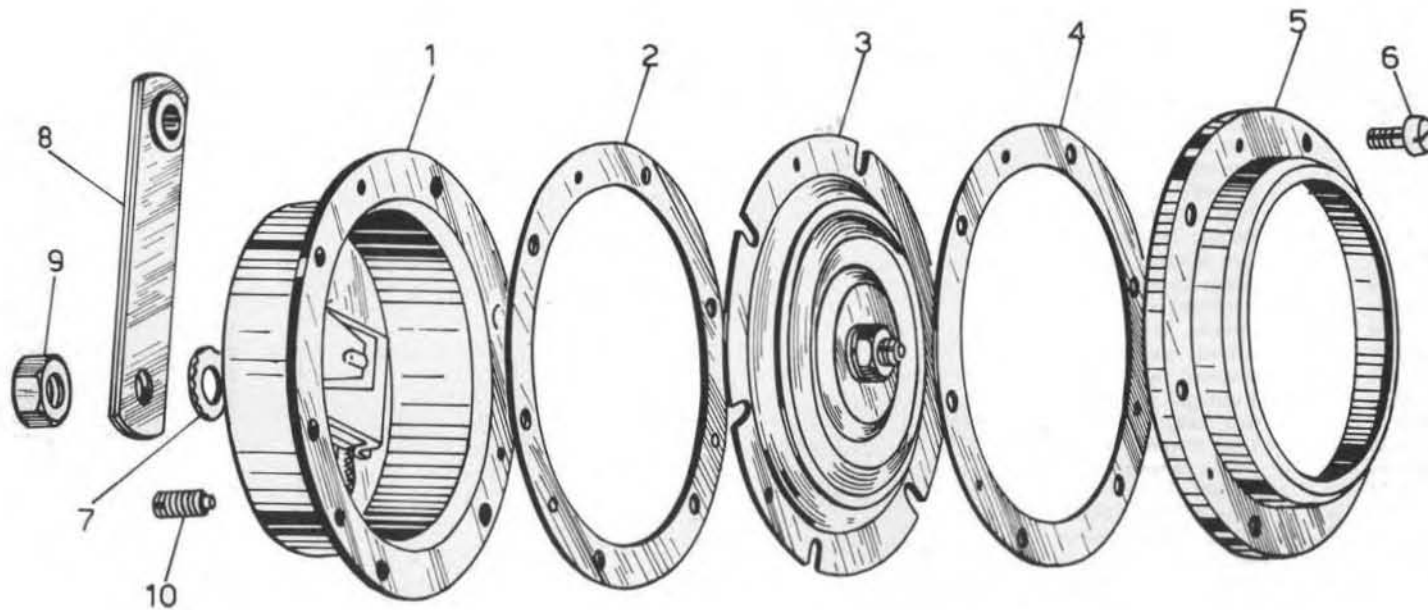


Fig. No.	Order No.	DESCRIPTION	Quantity	Notes Pagani (CEV ^o Order No.)
10	12 74 05 20	Headlight complete	1	4501
11	12 74 03 21	Headlight rim	1	02768
12	55 74 03 28	Rim fixing screw	1	3195
13	12 74 04 20	Gasket	1	10649
14	12 74 03 20	Sealed beam unit	1	02765
15	12 76 86 20	Plug adapter	1	02787
16	12 74 30 20	Bottom terminal without fuses	1	02769
17	12 74 30 21	Top terminal without fuses	1	02768
18	12 74 25 00	Fuses 25 Amp.	4	10570/25
19	12 74 04 21	Headlight body	1	02474
20	12 74 04 06	Spheric spacer	2	10655
21	12 74 04 07	Spheric washer	2	10548
22	12 74 04 08	External toothed washer	2	10656
23	12 74 04 09	Headlight fixing bolt	2	3395
24	12 74 09 20	Tail lamp without bulb, CEV 127	1	9313.4
25	12 73 99 20	Lens retaining screw	2	3397
26	12 74 17 20	Reflex reflector lens	1	7266
27	12 74 17 21	Gasket	1	4292
28	12 74 17 22	Housing with cables	1	02792.4
29	12 74 17 23	White window gasket	1	6764
30	12 74 17 24	White window	1	7091
31	12 74 17 25	Body mounting gasket	1	10447
32	12 74 17 26	Circlips	2	3444
33	12 74 17 27	Nut	2	3615
34	12 74 17 28	Rear rubber cup	1	10536

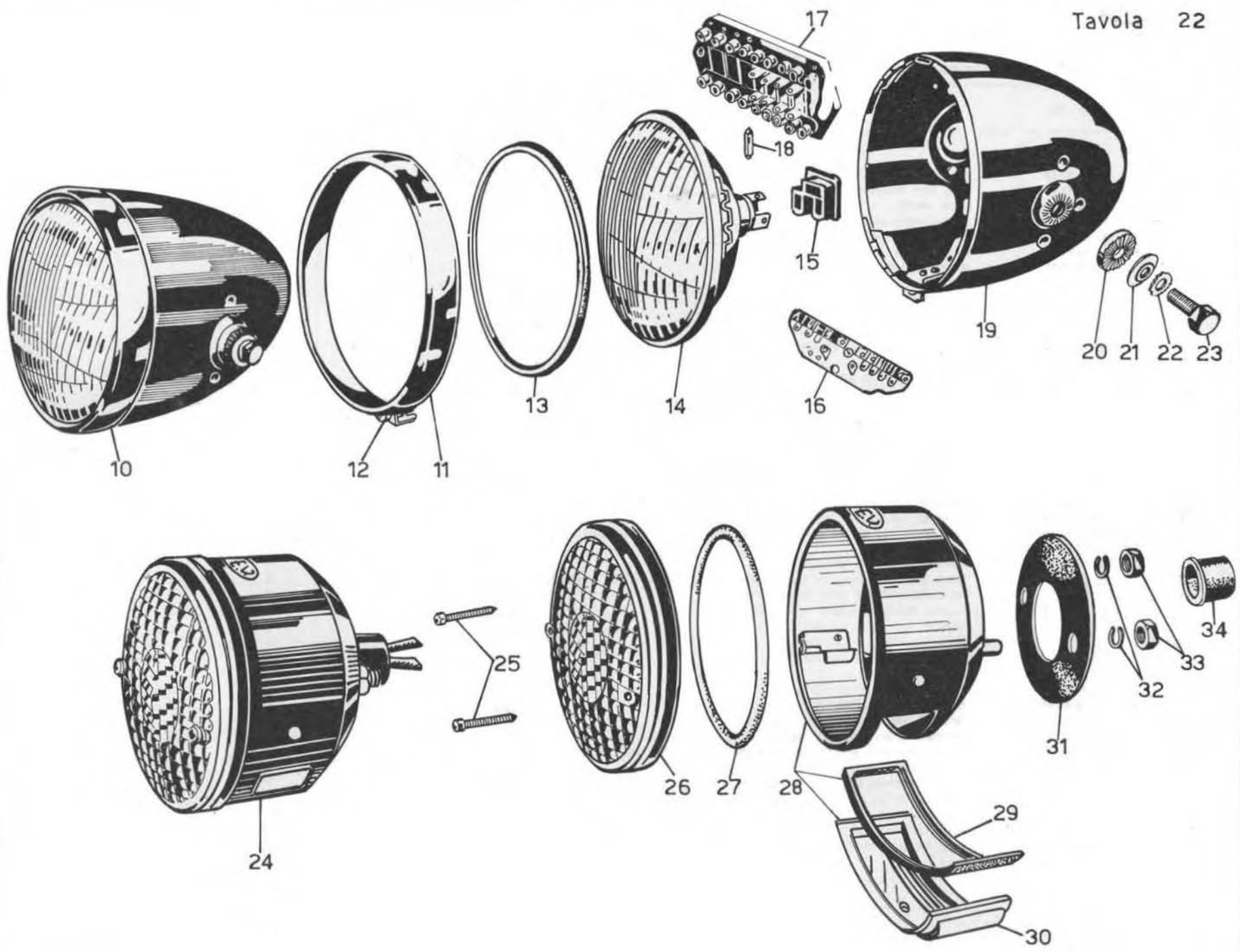


PLATE 23 MODEL: V-7 twin
Police accessories

GROUP: Windscreen, fairing, syrens, sidestand, footrests

Fig. No.	Order No.	DESCRIPTION	Quantity	Notes
10	12 44 02 40	Peg, R/H footrest	1	
11	12 45 13 40	Peg, L/H footrest	1	
12	12 43 20 60	Side stand	1	
13	12 43 28 40	Screw, side stand securing	1	
14	12 43 36 40	Lever, side stand spring connector	1	
15	99 10 51 12	Screw, side stand spring lever	1	
16	95 10 02 25	Washer, side stand spring lever screw	1	
17	92 60 22 08	Nut, side stand spring lever screw	1	
18	12 57 53 20	Fairing, complete with windscreen	1	
19	12 57 54 20	Fairing, only	1	
20	12 57 72 50	Windscreen, only	1	
21	12 57 79 40	Gasket, fairing to windscreen	1	
22	12 57 82 40	Brace, stiffening	1	
23	12 57 84 50	U clamp, fairing gasket	1	
23/1	12 70 68 00	Ring, rubber, gasket clamp	1	
24	98 26 05 20	Screw, windscreen to fairing	5	
25	95 00 02 05	Washer, windscreen to fairing screw	5	
26	92 70 00 50	Nut, windscreen to fairing screw	5	
27	12 57 55 40	Clamp, fairing	2	
28	98 26 06 20	Screw, fairing to clamp	4	
29	12 57 78 40	Washer, outer, fairing to clamp screw	4	
30	45 21 24 00	Washer, rubber, fairing to clamp screw	4	
31	95 10 01 30	Washer, flat, fairing to clamp screw	4	
32	92 60 22 06	Nut, fairing to clamp screw, fairing to bracket screw, and syren bracket band screw	10	
33	12 57 86 40	Bracket fairing	2	
34	98 10 60 17	Screw, fairing to bracket	4	
35	95 02 11 06	Lock washer, fairing to bracket screw and support to handlebar clamps screw	6	
36	12 50 02 40	Handlebar clamp, with cap	2	
37	98 05 43 16	Screw, fairing support to bar clamps	2	
38	12 57 89 20	Gasket, fairing to headlight	1	
38/1	12 74 07 40	Bolt, Headlight to bracket	2	
39	98 05 43 16	Screw, fairing to headlamp	2	
40	91 18 07 07	Distance tube	2	
41	12 74 37 40	Syren	2	
42	12 74 42 40	Bracket, Syren, R/H	1	
	12 74 42 45	Bracket, Syren, L/H	1	
43	98 05 43 16	Screw, syren support band	2	
44	95 02 11 06	Spring washer, syren support band screws and saddlebags to support screws	14	
45	11 74 54 01	Syren button	1	
46	12 74 87 40	Cable harness, syren	1	
	12 74 89 40	Casing, syren cables	1	
47	43 74 90 75	Terminal, syren cables	1	
48	98 24 03 12	Bolt, terminal fixing	2	
49	92 60 00 03	Nut, terminal fixing screw	2	

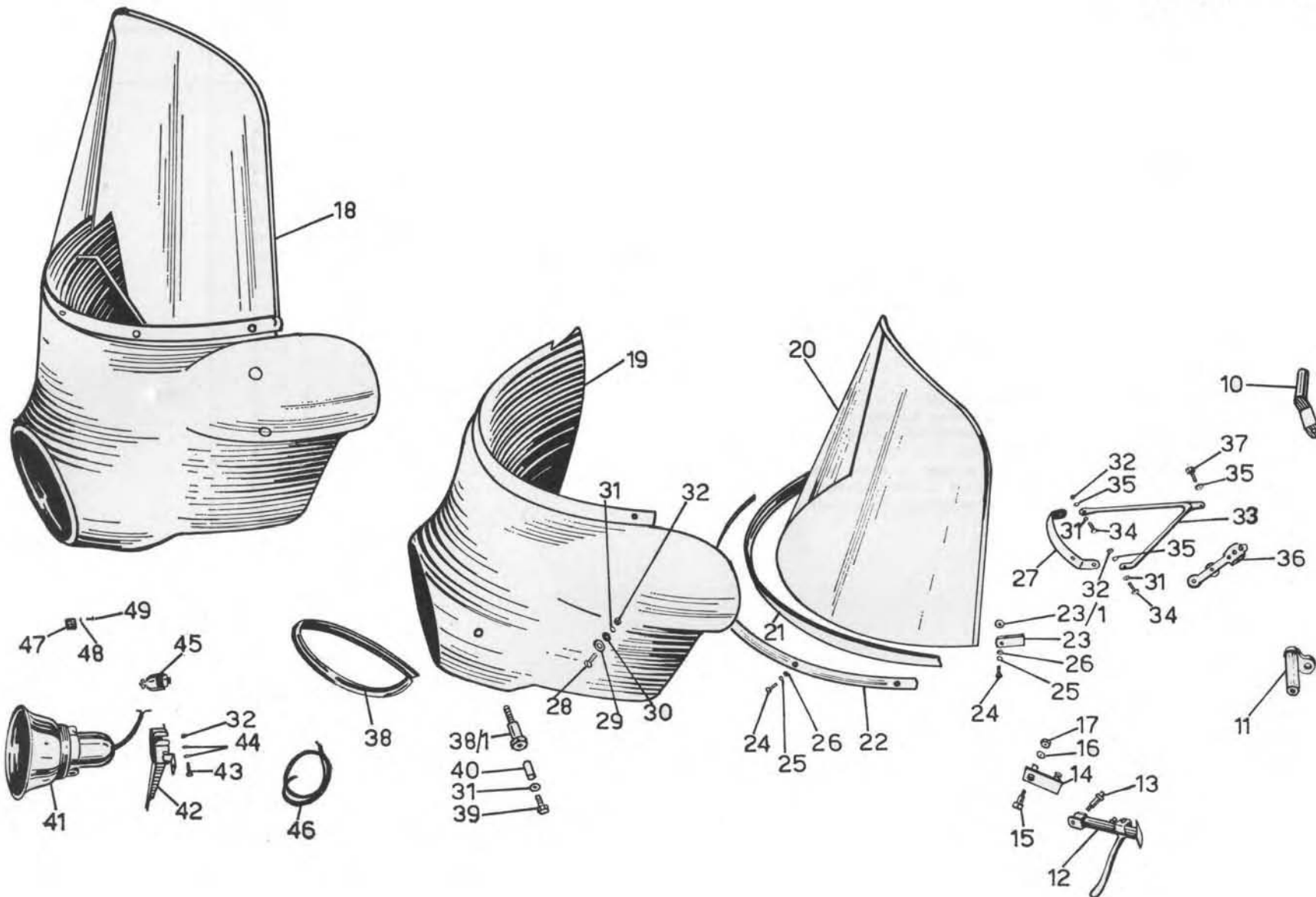
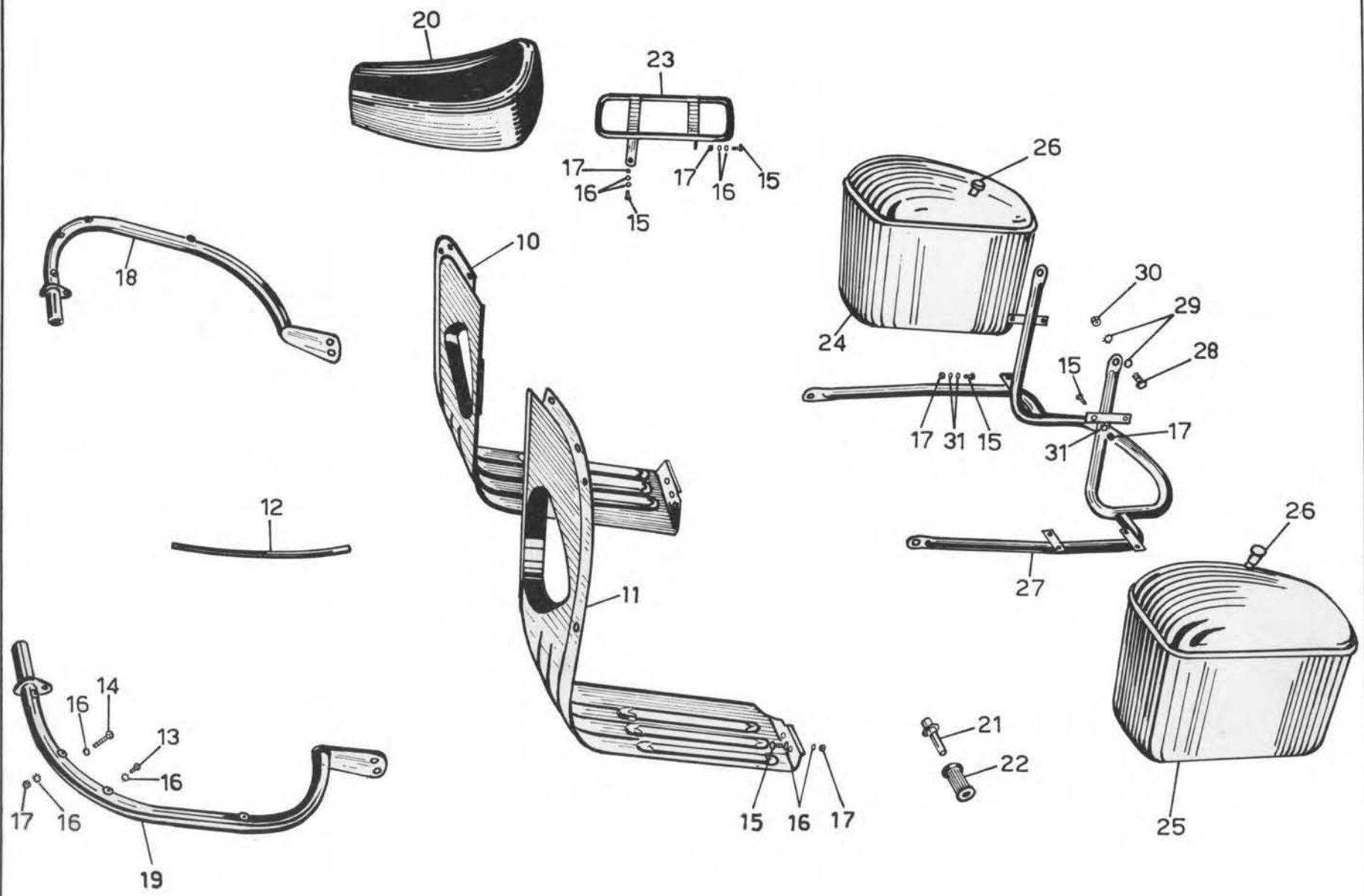


PLATE 24 MODEL: V-7 twin
Police accessories

GROUP: Legshields, seat, crash bars, rear carrier,
saddle bags

Fig. No.	Order No.	DESCRIPTION	Quantity	Notes
10	12 45 33 40	Legshield, R/H	1	
11	12 45 61 40	Legshield, L/H	1	
12	12 45 74 40	Gasket, legshields	2	
13	98 10 60 17	Screw, legshields to crash bars	6	
14	98 10 60 43	Screw, legshields and syrens to crash bars	2	
15	98 02 43 12	Screw, legshields to rear carrier stays and saddlebags to bracket	19	
16	95 10 01 30	Washer, legshields and rear carrier securing screws	15	
17	92 60 22 06	Nut, legshields screws, rear carrier screws, and saddlebags screws	21	
18	12 45 03 40	Crashbar, R/H	1	
19	12 45 04 40	Crashbar, L/H	1	
20	12 46 05 40	Seat, single	1	
21	12 46 43 40	Handgrip, for raising motorcycle on stand	1	
22	55 44 58 00	Grommet, handgrip	1	
23	12 46 65 40	Rear carrier	1	
24	12 48 25 40	Saddlebag, R/H	1	
25	12 48 38 40	Saddlebag, L/H	1	
26	12 48 34 40	Rod, saddlebag locking	2	
27	12 48 50 40	Bracket, saddlebag support	1	
28	98 05 45 22	Screw, support to frame	4	
29	95 10 03 11	Washer, support to frame screws	4	
30	92 60 22 10	Nut, support to frame screws	4	
31	95 02 11 06	Washer, saddlebags to support screws	12	



Maggio 1968

Arti Grafiche Sirtori & C. - 20143 Milano - Via A. Binda, 33 - Tel. 42.29.392