

## AIR BOX

### Subject: oil in the air box

Model: Brevia 750

#### Problem:

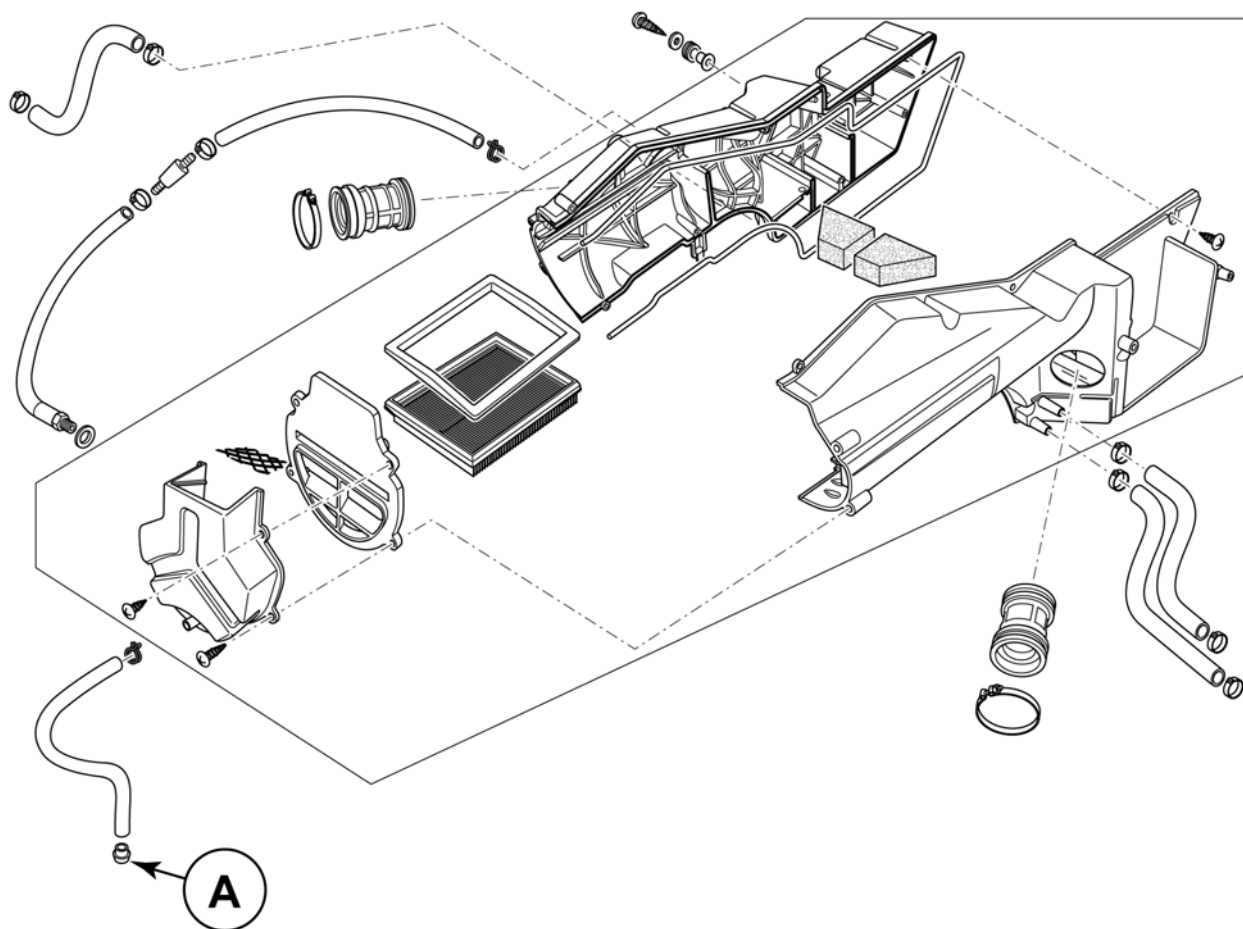
oil entering in the air box stays in the box bottom and goes out of the joints or the plug (A) fitted at the drain pipe end.

The problem was claimed on demo bikes or on bikes belonging to the first series produced only.

#### Solution:

before fitting the air box to the vehicle, we check the air box sealing carrying out a leak test with air under pressure.

The plug (A) has been changed with a watertight plug.



---

TECHNICAL COMMUNICATION No. 02-2003

17 April 2003

---

**Subject: engine oil level**

**Model: Breva V750 i.e.**

**Frames involved: all**

Dear Dealer,

if experiencing an engine oil present in the filter housing and in the engine oil breather pipe anomaly, check the quantity of oil in the engine.

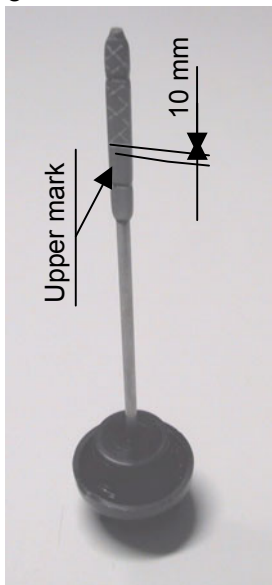
***This communication applies to all vehicles produced.***

**Fault experienced on vehicle:** excessive quantity of oil extracted from the oil recover circuit.

**Main cause:** excessive quantity of engine oil.

**Technical solution:** check and restore correct engine oil quantity (1.8 kg).

An excessive quantity of engine oil can cause an increase in the oil extracted by the crankcase gas recover circuit. In exceptional cases an oil present in the transparent recovery tube, which extends from the filter housing to the rear joint of the right half cradle, type of anomaly can be experienced.



***Check the correct engine oil level to avoid this inconvenience.***

The checking operation can be easily carried out by using the oil filler cap dipstick. The correct quantity of oil wets the dipstick up to around 10-11 mm under the maximum level reference mark. The highlighted part in the photo shows the section of dipstick which must be wet. The check must be carried out with the engine warmed up, after around 20 minutes that it is running.

It may be useful to make a reference mark at the indicated quota, to facilitate the check during regular engine oil replacements.

We will ship a sticker to place in the use and maintenance booklet containing the correct engine oil level measurement procedure.

Yours Sincerely,