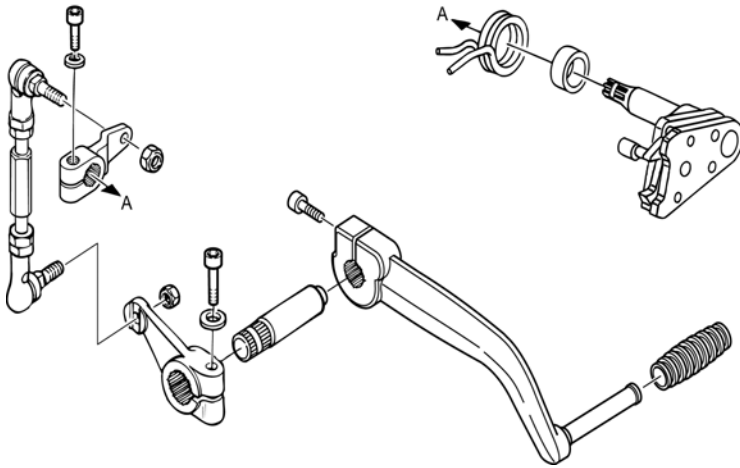

GEARCHANGE PRESELECTOR

Subject: jamming of gearchange preselector

Model: Brevia 750

Problem:

the slide inside the preselector might jam when in contact with the two pins (A).



Solution:

the diameter of the pins was increased (from 7.0 mm to 7.2 mm), and the concentricity tolerance was decreased.

