

SPARE PARTS LIST FOR SERIES 1000 CARBURETORS

Part No.	Ref.	Component	Price
73-3120	622-087	Plug for mixing chamber	\$0.22
73-3156	1034-060	Throttle valve, # 3 cutaway	5.20
73-3157	1034-061	Throttle valve spring42
73-3158	1034-063	Throttle needle	1.50
73-3159	1034-065	Needle clip34
73-3160	1034-067	Tickler stem40
73-3161	1034-070	Air intake tube (2 5/16" long) plastic	3.40



AMAL FUEL LINE GAS FILTER

Inline gas filter with large fine mesh nylon filter screen. Fits 1/4" fuel line.

Part No.	Ref.	Price
73-3016	244-1729	Fuel filter \$1.80



AMAL CARBURETOR REPAIR KITS

Part No.	Ref.	Price
73-0047	73-0100	Kit for Monobloc type 376/389 models \$2.95
73-0048	73-0101	Kit for Concentric 600/900 models 2.35



MONOBLOC GASKET SETS

Monobloc gasket sets for repairing 376 or 389 carburetors. Excellent for shop use.

Part No.	Ref.	Price
65-0688	AG-376	Per 12 sets \$5.90
65-0689	AG-389	Per 12 sets 6.90

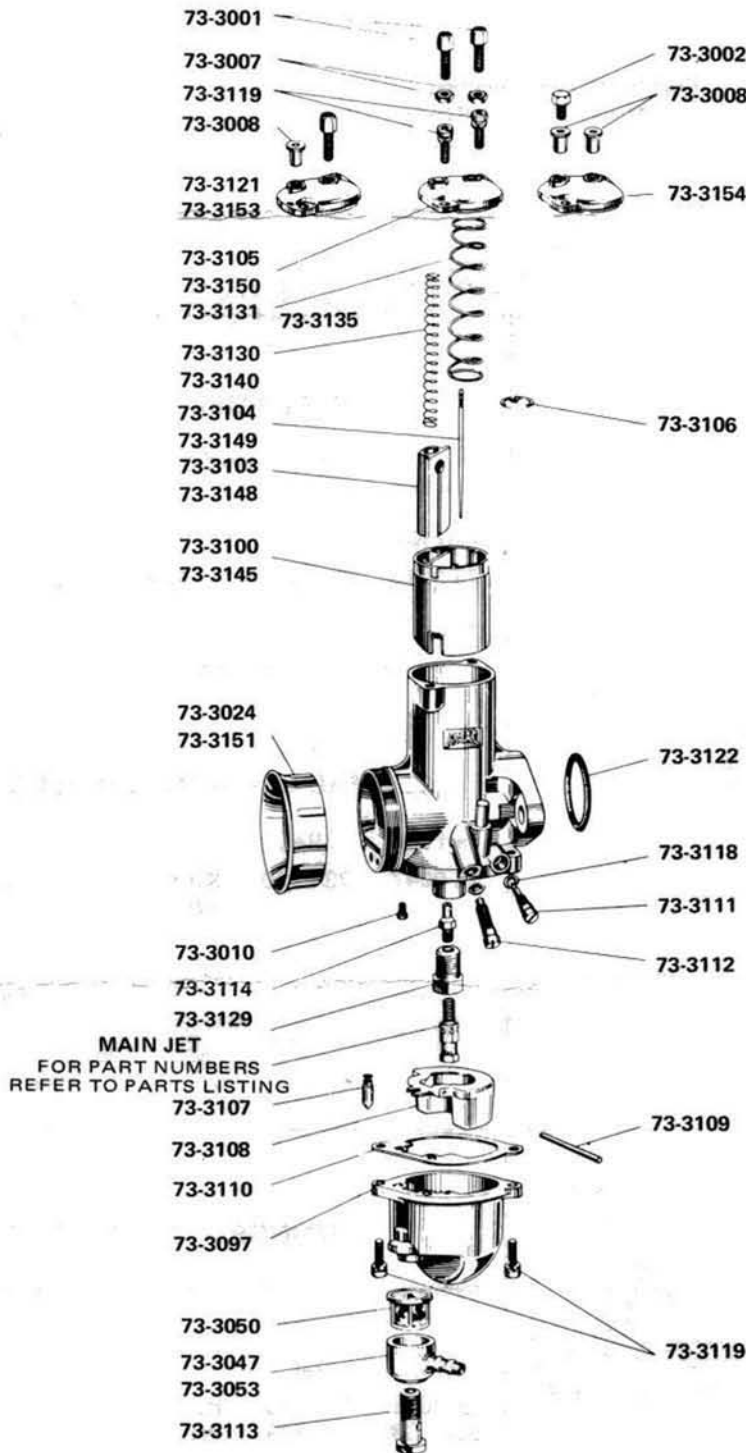
SERIES 600 & 900 CARBURETORS

600

SERIES 600
AVAILABLE
IN 26MM.
BORE

900

SERIES 900
AVAILABLE
WITH BORES OF
28, 30 AND 32
MILLIMETERS



SPARE PARTS LIST FOR SERIES 600 CARBURETORS

Part No.	Ref.	Component	Price
73-3001	4-035	Cable adjuster	\$0.44
73-3002	4-137A	Plug for mixing chamber top Per 10	2.80
73-3007	5-077	Cable adjuster locknut Per 10	2.20
73-3008	6-132A	Cable ferrules (top hat) Per 10	2.80
73-3010	124-026	Pilot jet # 2086
73-3011	124-026	Pilot jet # 2586
73-3012	124-026	Pilot jet # 3086
73-3013	124-026	Pilot jet # 3586
73-3024	376-066	Air intake tube (STD.) plastic88
73-3047	376-090	Banjo, single screwed 1/4" B.S.P.	1.80
73-3049	376-092	Banjo bolt washer (for die cast banjo's) Per 10	2.20
73-3050	376-093	Filter gauze62
73-3053	376-097	Banjo, single push on (plastic)	1.80
	376-100	Main jets (for complete listing see 900 series spares list)	
73-3085	376-108	Banjo, double screwed 1/4" B.S.P.	2.90
73-3086	376-139	Banjo, double, 130° metal	2.20
73-3087	376-184	Banjo, single, 130° plastic	2.40
73-3088	376-410	Banjo, double, 60° (die cast)	2.40
73-3097	622-050	Float chamber body (STD.)	7.70
73-3098	622-055	Float chamber body (plug type)	7.70
73-3099	622-060	Throttle valve, # 2 1/2 cutaway	5.20
73-3100	622-060	Throttle valve, # 3 cutaway	5.20
73-3101	622-060	Throttle valve, # 3 1/2 cutaway	5.20
73-3102	622-060	Throttle valve, # 4 cutaway	5.20
73-3103	622-062	Air valve	2.30
73-3104	622-063	Throttle needle	1.40
73-3105	622-064	Mixing chamber top (STD.)	2.40
73-3106	622-067	Needle clip Per 10	3.70
73-3107	622-068	Float needle (STD.)	1.20
73-3108	622-069	Float	3.90
73-3109	622-071	Float spindle Per 10	3.00
73-3110	622-073	Float chamber washer Per 10	1.30
73-3111	622-076	Pilot air adjusting screw40
73-3112	622-077	Throttle stop adjusting screw40
73-3113	622-078	Banjo bolt88
73-3114	622-079	Needle jet # 106 (2-cycle engines)	2.20
73-3115	622-079	Needle jet # 107 (2-cycle engines)	2.20
73-3116	622-079	Needle jet # 108 (2-cycle engines)	2.20
73-3117	622-079	Needle jet # 109 (2-cycle engines)	2.20
73-3118	622-082	"O" Rings Per 10	2.80
73-3119	622-086	Float and mixing chamber top screws Per 10	3.00
73-3121	622-097	Mixing chamber top (for ferrule throttle side)	2.40
73-3122	622-101	"O" Ring for flange sealing Per 10	3.00
73-3125	622-122	Needle jet # 105 (4-cycle engines)	2.20
73-3126	622-122	Needle jet # 106 (4-cycle engines)	2.20
73-3127	622-122	Needle jet # 107 (4-cycle engines)	2.20
73-3128	622-124	Throttle needle	1.40
73-3129	622-128	Jet holder	2.20
73-3130	622-129	Air valve spring Per 10	3.00
73-3131	622-131	Throttle valve spring Per 10	4.20
* 73-3164	622-151	Washer for 73-3134 drain plug Per 10	2.20
73-3134	622-153	Plug & washer for float chamber88
73-3135	622-167	Throttle valve spring44
73-3140	622-186	Air valve spring34

SPARE PARTS LIST FOR SERIES 900 CARBURETORS

Part No.	Ref.	Component	Price
73-3001	4-035	Cable adjuster	\$0.44
73-3002	4-137A	Plug for mixing chamber top Per 10	2.80
73-3007	5-077	Cable adjuster locknut Per 10	2.20
73-3008	6-132A	Cable ferrules (top hat) Per 10	2.80
73-3010	124-026	Pilot Jet # 2086
73-3011	124-026	Pilot Jet # 2586
73-3012	124-026	Pilot Jet # 3086
73-3013	124-026	Pilot Jet # 3586
73-3047	376-090	Banjo, single screwed 1/4" BSP	1.80
73-3049	376-092	Banjo, bolt washer (for diecast Banjo's) Per 10	2.20
73-3050	376-093	Filter gauze62
73-3053	376-097	Banjo, single push on (plastic)	1.80
73-3054	376-100	Main Jet # 120 Per 5	5.50
73-3055	376-100	Main Jet # 130 Per 5	5.50
73-3056	376-100	Main Jet # 140 Per 5	5.50
73-3057	376-100	Main Jet # 150 Per 5	5.50
73-3058	376-100	Main Jet # 160 Per 5	5.50
73-3059	376-100	Main Jet # 170 Per 5	5.50
73-3060	376-100	Main Jet # 180 Per 5	5.50
73-3061	376-100	Main Jet # 190 Per 5	5.50
73-3062	376-100	Main Jet # 200 Per 5	5.50
73-3063	376-100	Main Jet # 210 Per 5	5.50
73-3064	376-100	Main Jet # 220 Per 5	5.50
73-3065	376-100	Main Jet # 230 Per 5	5.50
73-3066	376-100	Main Jet # 240 Per 5	5.50
73-3067	376-100	Main Jet # 250 Per 5	5.50
73-3068	376-100	Main Jet # 260 Per 5	5.50
73-3069	376-100	Main Jet # 270 Per 5	5.50
73-3070	376-100	Main Jet # 280 Per 5	5.50
73-3071	376-100	Main Jet # 290 Per 5	5.50
73-3072	376-100	Main Jet # 300 Per 5	5.50
73-3073	376-100	Main Jet # 310 Per 5	5.50
73-3074	376-100	Main Jet # 320 Per 5	5.50
73-3075	376-100	Main Jet # 330 Per 5	5.50
73-3076	376-100	Main Jet # 340 Per 5	5.50
73-3077	376-100	Main Jet # 350 Per 5	5.50
73-3078	376-100	Main Jet # 360 Per 5	5.50
73-3079	376-100	Main Jet # 370 Per 5	5.50
73-3080	376-100	Main Jet # 380 Per 5	5.50
73-3081	376-100	Main Jet # 390 Per 5	5.50
73-3082	376-100	Main Jet # 400 Per 5	5.50
73-3083	376-100	Main Jet # 410 Per 5	5.50
73-3084	376-100	Main Jet # 420 Per 5	5.50
73-3085	376-108	Banjo, double screwed 1/4" BSP	2.90
73-3086	376-139	Banjo, double, 130° metal	2.20
73-3087	376-184	Banjo, single, 130° plastic	2.40
73-3088	376-410	Banjo, double 60° (diecast)	2.40

SPARE PARTS LIST FOR SERIES 900 CARBURETORS

Part No.	Ref.	Component	Price
73-3097	622-050	Float chamber body (STD)	\$7.70
73-3098	622-055	Float chamber body (plug type)	7.70
73-3106	622-067	Needle clip	Per 10 3.70
73-3107	622-068	Float needle (STD)	1.20
73-3108	622-069	Float	3.90
73-3109	622-071	Float spindle	Per 10 3.00
73-3110	622-073	Float chamber washer	Per 10 1.30
73-3111	622-076	Pilot air adjusting screw	.40
73-3112	622-077	Throttle stop adjusting screw	.40
73-3113	622-078	Banjo bolt	.88
73-3114	622-079	Needle Jet # 106 (2-cycle engines)	2.20
73-3115	622-079	Needle Jet # 107 (2-cycle engines)	2.20
73-3116	622-079	Needle Jet # 108 (2-cycle engines)	2.20
73-3117	622-079	Needle Jet # 109 (2-cycle engines)	2.20
73-3118	622-082	"O" Rings	Per 10 2.80
73-3119	622-086	Float and mixing chamber top screws	Per 10 3.00
73-3122	622-101	"O" Ring for flange sealing	Per 10 3.00
73-3125	622-122	Needle Jet # 105 (4-cycle engines)	2.20
73-3126	622-122	Needle Jet # 106 (4-cycle engines)	2.20
73-3127	622-122	Needle Jet # 107 (4-cycle engines)	2.20
73-3128	622-124	Throttle needle	1.40
73-3129	622-128	Jet holder	2.20
73-3130	622-129	Air valve spring	Per 10 3.00
73-3131	622-131	Throttle valve spring	Per 10 4.20
73-3164	622-151	Washer for 73-3134 drain plug	Per 10 2.20
73-3134	622-153	Plug & washer for float chamber	.88
73-3144	928-060	Throttle valve # 2 1/2 cutaway	5.20
73-3145	928-060	Throttle valve # 3 cutaway	5.20
73-3146	928-060	Throttle valve # 3 1/2 cutaway	5.20
73-3147	928-060	Throttle valve # 4 cutaway	5.20
73-3148	928-062	Air valve	2.30
73-3149	928-063	Throttle needle	1.40
73-3150	928-064	Mixing chamber top (STD)	2.40
73-3151	928-066	Air intake tube (STD), zinc base	3.00
73-3153	928-097	Mixing chamber top (for ferrule throttle side)	2.40
73-3154	928-098	Mixing chamber top (for ferrules, air & throttle)	2.40



AMAL "VITON" FLOAT NEEDLE

New Viton rubber tipped float needle. Fits all Amal concentric & monobloc carburetors. Perfect sealing, prevents flooding.

Part No.	Ref.	Component	Price
73-3141	622-197	Float needle	\$1.40