

2

1

B

B

A

A

6x ϕ 0.319 [8.10] THRU
4.00 [101.5] Bolt Circle

0.591
[15]

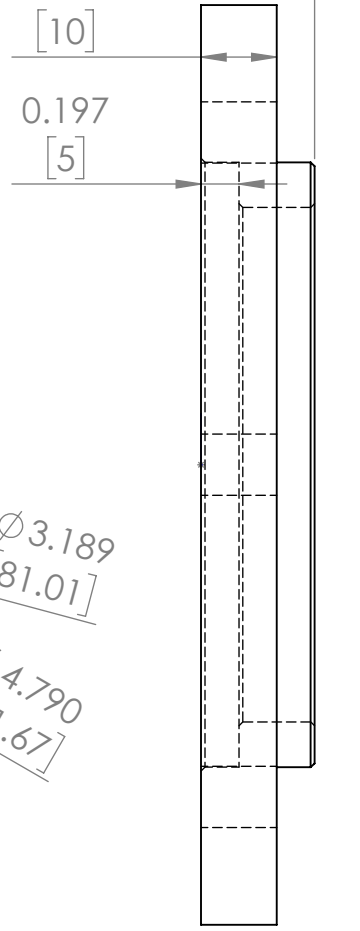
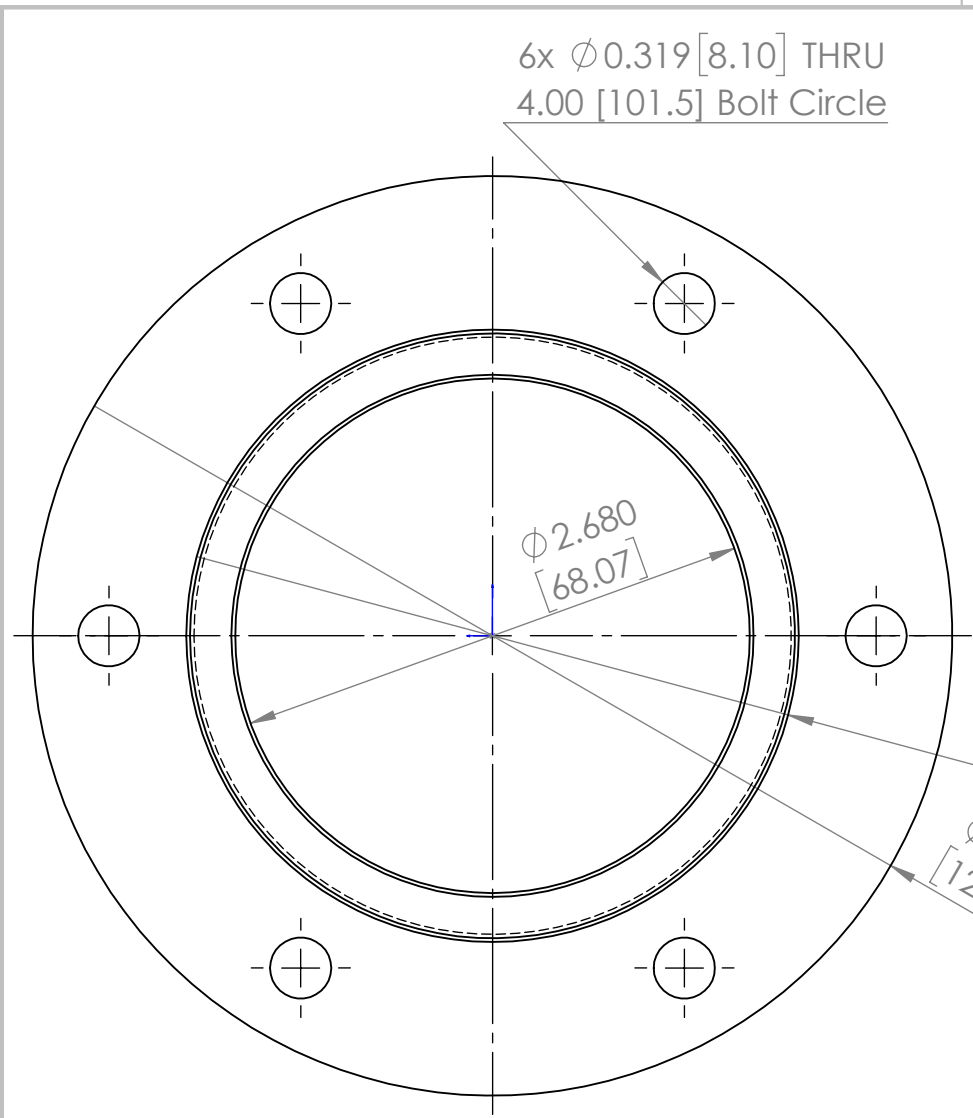
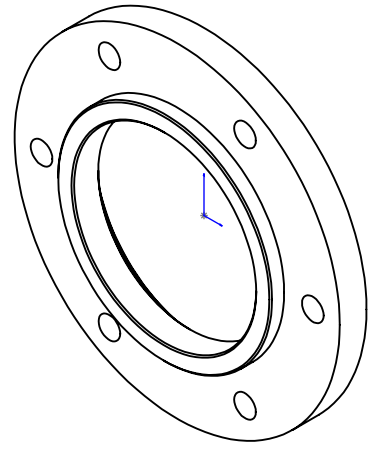
0.394
[10]

0.197
[5]

ϕ 2.680
[68.07]

ϕ 3.189
[81.01]

ϕ 4.790
[121.67]



TITLE: MotoGuzzi Disc Brake
Spacer

	NAME	DATE
DRAWN	NJ	2/10/17
CHECKED		

COMMENTS:
Inches
[millimeters]

MATERIAL 6061
FINISH
DO NOT SCALE DRAWING

SIZE DWG. NO. REV
A 10mm SPACER **A**
SCALE: 1:2 SHEET 1 OF 1

2

1